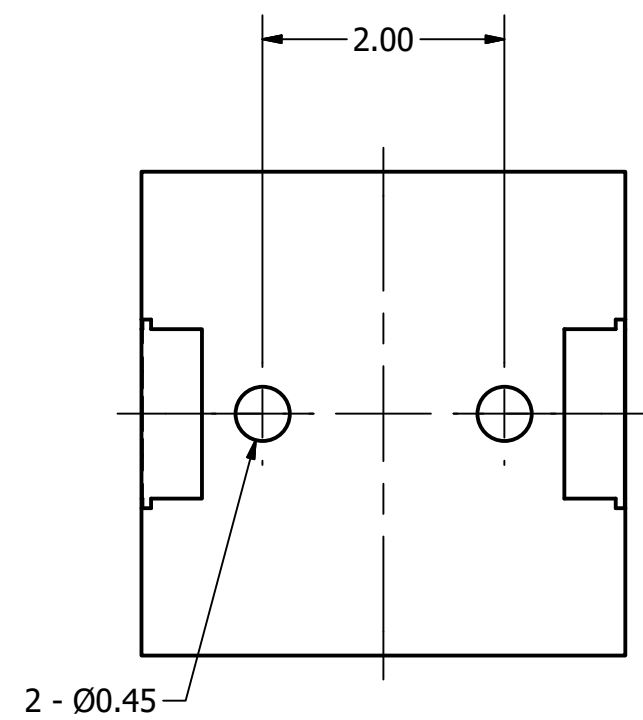


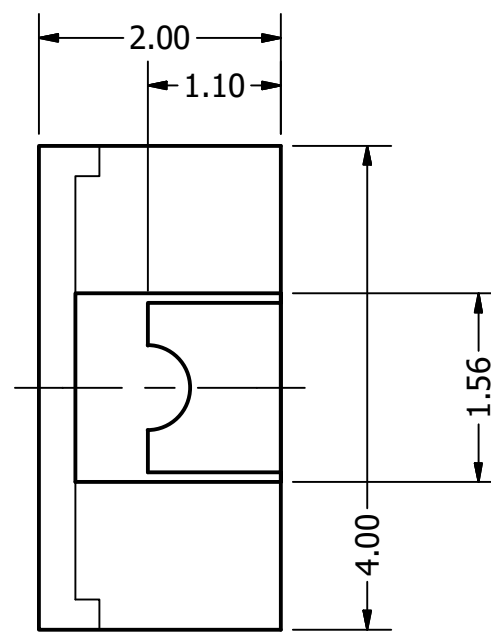
Part Number:	TE044003-2	
DESCRIPTION:	Electro-Mechanical Transducer	
DRAWN	CJ	7/9/2015
CHECKED		11/23/2015
P.D		11/23/2015
APPROVED	J.S	11/23/2015

This document contains data proprietary to DB Unlimited. Any use or reproduction, in any form, without prior written permission of DB Unlimited is prohibited. All terms and conditions can be found at www.dbunlimitedco.com

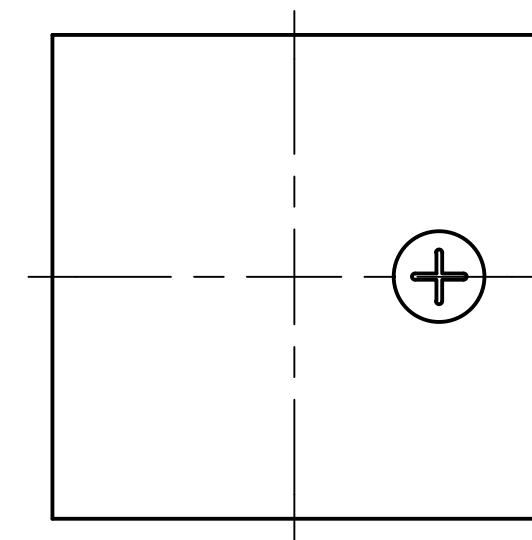
Bottom View



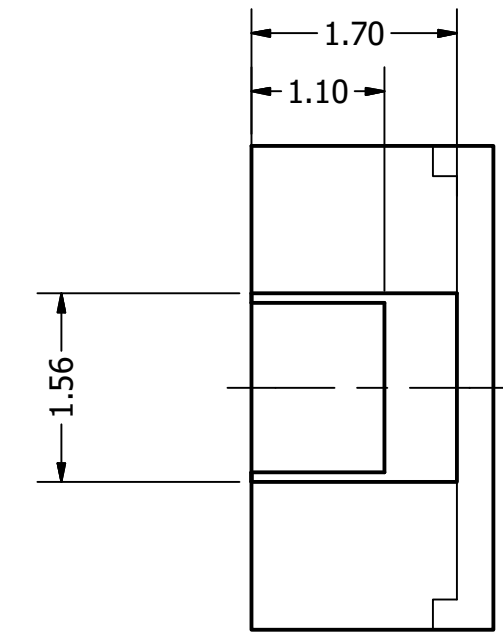
Side View (2)



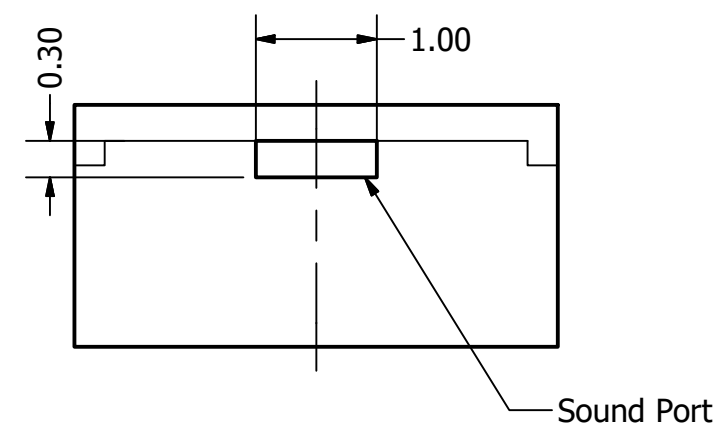
Top View



Side View (1)



Front View



Tol: ± 0.30

Items	Specifications	Conditions
Sound Pressure Level	70	dB (@ 10cm)
Resonant Frequency	4,000	Hz
Rated Voltage	3	V
Voltage Range	2~4	V
Coil Resistance	17 ± 3	Ω
Max. Rated Current	90	mA
Storage Temperature	-20~ +70	°C
Operating Temperature	-30~ +80	°C
Connection Method	Surface Mount Pads	
Mount Type	Surface Mount	
Housing Material	LCP	
Weight	0.1	g

REVISION HISTORY			
REV	DESCRIPTION	DATE	APPROVED
	Released from Engineering	11/23/2015	J.S.

NOTES			
1) All dimensions are in mm unless otherwise noted			
2) All tolerances are ± 0.5 mm unless otherwise noted			
3) All parts meet RoHS			
4) Subject to change or redrawn without notice			