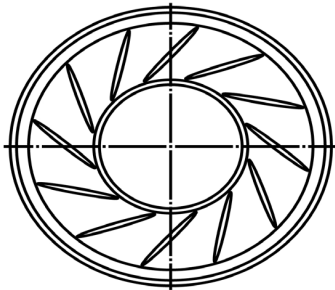
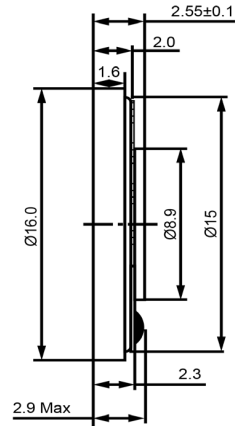


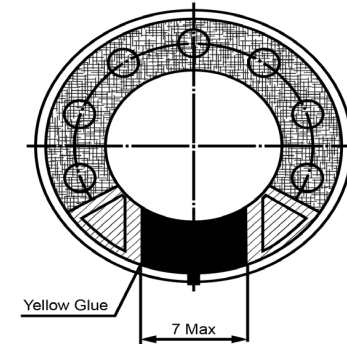
TOP VIEW




SIDE VIEW



BOTTOM VIEW



Specifications			Notes	Revision History					
Description	Value	Unit		Version	Description	Date	Approved		
Shape	Round		1) All dimensions are in mm unless otherwise noted 2) All parts meet RoHS  DB UNLIMITED	1	Released from Engineering	2/5/2014	J.S.		
Resonant Frequency	880	(Hz)							
Frequency Range	880 ~ 20,000	(Hz)							
SPL @ 10cm	85	(dBA)							
Impedance	16	(Ohm)							
Cone Material	Polyethylene Naphthalate								
Nominal Power	0.3	(W)							
Max Power	0.6	(W)							
Mount Type	Flush Mount								
Operating Temperature	-30 ~ +80	°C							
Storage Temperature	-30 ~ +80	°C							
Weight	1	(g)							
				High Temp Dynamic Speaker		SM160816-1			
				Drawn by	Date	Checked by	Date	Approved by	Date
				G.W.	1/27/2014	C.E.	2/4/2014	J.S.	2/5/2014

Additional considerations can be found at www.dbunlimitedco.com/technical-articles.