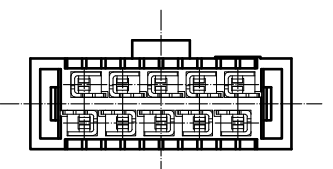
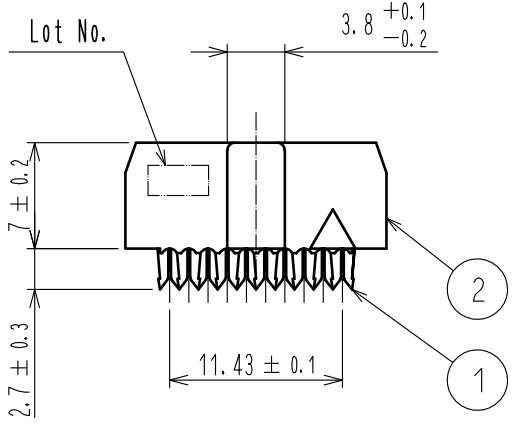
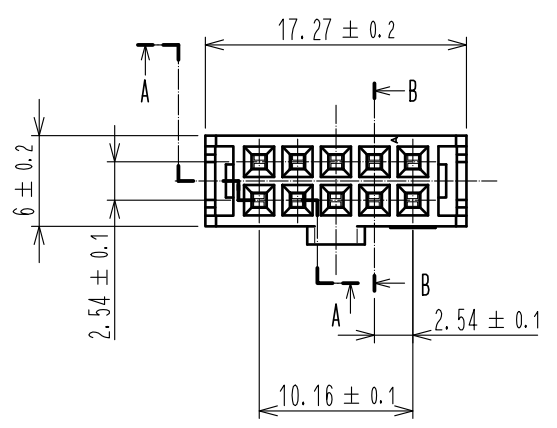
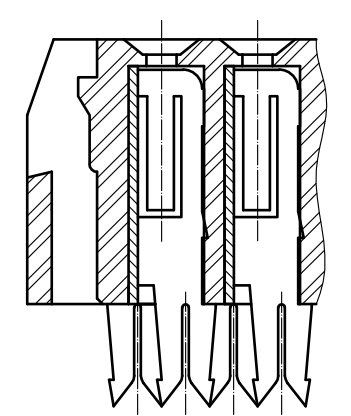


Jan.1.2022 Copyright 2022 HIROSE ELECTRIC CO., LTD. All Rights Reserved.
In case of consideration for using Automotive equipment / device which demand high reliability, kindly contact our sales window correspondents.

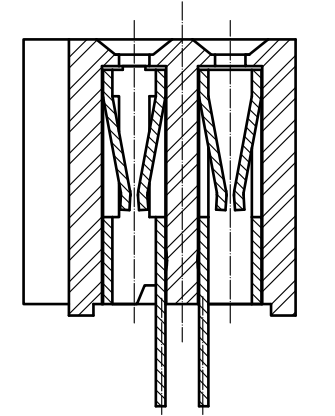
Body



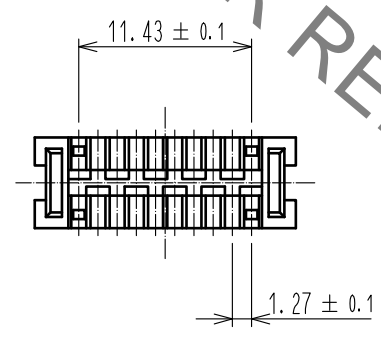
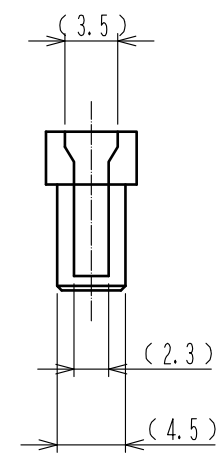
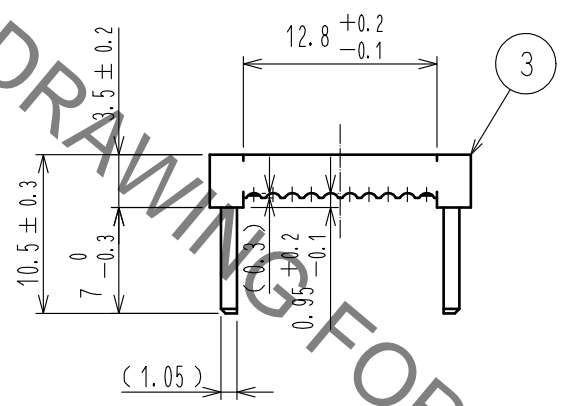
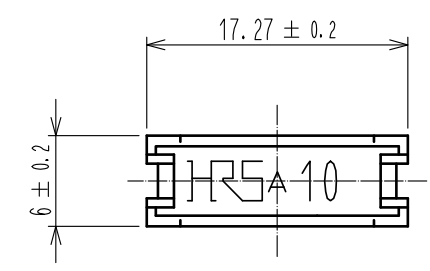
A-A (5:1)



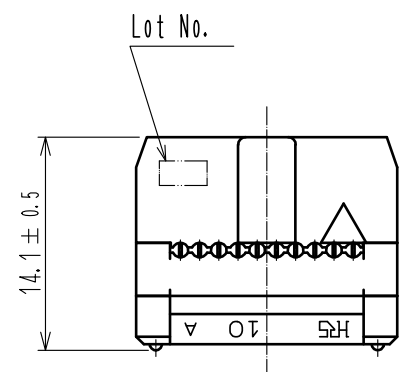
B-B (5:1)



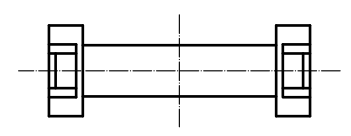
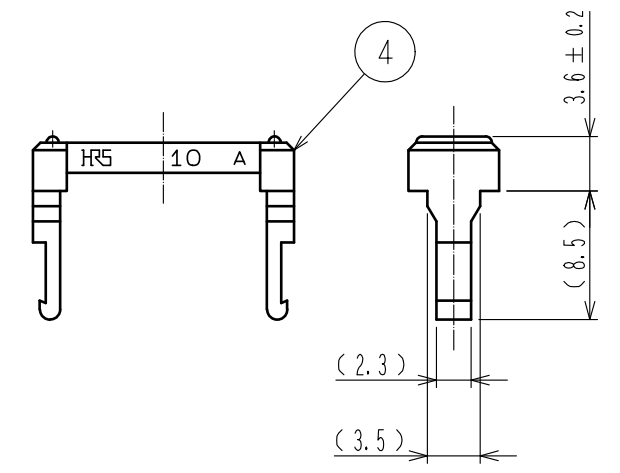
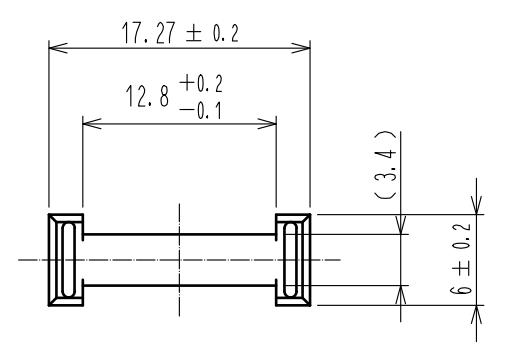
Protector



Assembly figure



Clamp



HRS DRAWING FOR REFERENCE

Notes 1 The dimensions in parentheses are for reference.
 2 Once a connector is harnessed, the connector shall not be re-harnessed to a different cable. Protectors and clamps shall also not be re-used once used in assembly. When repair is needed, please replace the connector as well as all connector parts.

Re-using connector and connector parts may cause continuity failure due to contact deformation / breakage, lock part destruction, etc.

| 2 | PBT | BLACK | UL94V-0 | 4 | PBT | BLACK | UL94V-0 | | |
|-------------------------|------------------------|---------------------------------|---------|-------------|----------|--------------------------|-------------|---------------|----------|
| 1 | BERYLLIUM COPPER ALLOY | Over plating : Gold 0.2μm min. | | 3 | PBT | BLACK | UL94V-0 | | |
| | | Under plating : Nickel 3μm min. | | | | | | | |
| NO. | MATERIAL | FINISH | REMARKS | NO. | MATERIAL | FINISH | REMARKS | | |
| UNITS | mm | SCALE | 2 : 1 | COUNT | 1 | DESCRIPTION OF REVISIONS | DESIGNED | CHECKED | DATE |
| | | | | | | DIS-F-00005555 | AK. IWAHORI | HT. YAMAGUCHI | 20191231 |
| APPROVED : HS. OKAWA | | 20110322 | | DRAWING NO. | | EDC3-016223-00 | | | |
| CHECKED : HT. YAMAGUCHI | | 20110322 | | PART NO. | | HIF3A-10D-2.54R | | | |
| DESIGNED : SY. KAMIGA | | 20110322 | | CODE NO. | | CL562-0057-5-00 | | | |
| DRAWN : HK. SUNADORI | | 20110318 | | | | | | | |

Mouser Electronics

Authorized Distributor

Click to View Pricing, Inventory, Delivery & Lifecycle Information:

[Hirose Electric:](#)

[HIF3A-10D-2.54R](#)