



## MR30 Connector With Cover Battery Connectors Series



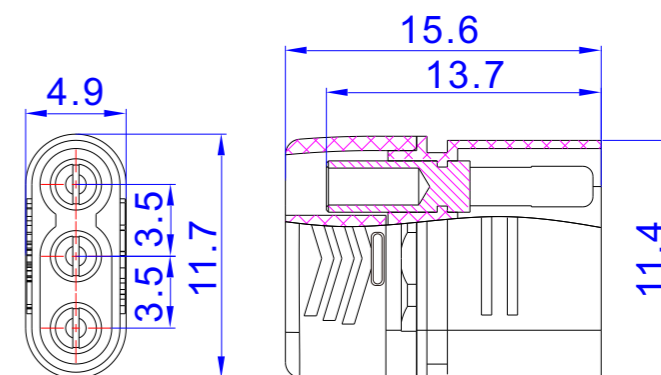
### Electrical Performance

Model	MR30
Pole	3P
Rated voltage	500V DC
Rated current	15A
Wiring size	16AWG / 1.5mm <sup>2</sup>
Transient current	30A
Wiring method	Welding

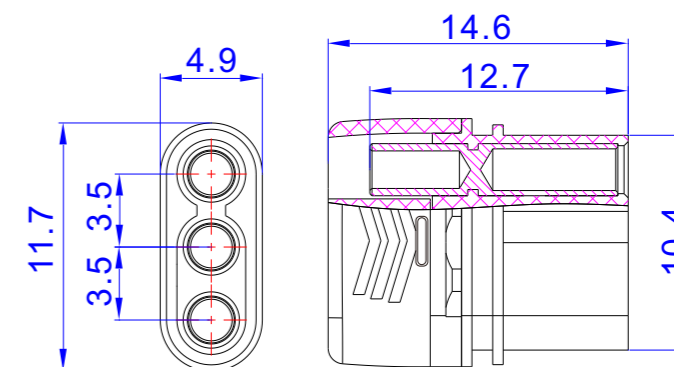
### Material

Shell material	Nylon UL94 V-0
Contact material	Brass Gold Plated
Service life	>1000 Time
Temperature	-20°C~120°C

### Product Appearance Size(mm)



MR30M



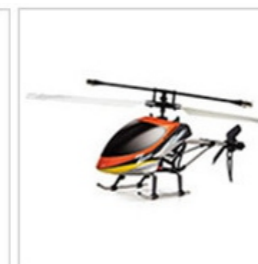
MR30F



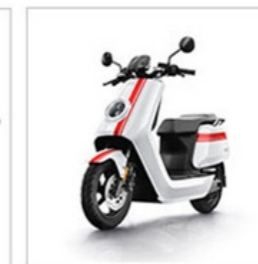
### Application



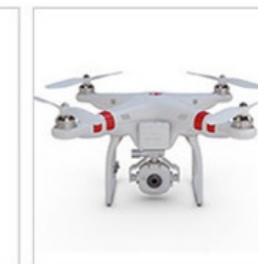
Balance car



Remote control toys



Electric bicycle



Drone