

4

3

2

1

THIS DRAWING IS UNPUBLISHED.

RELEASED FOR PUBLICATION

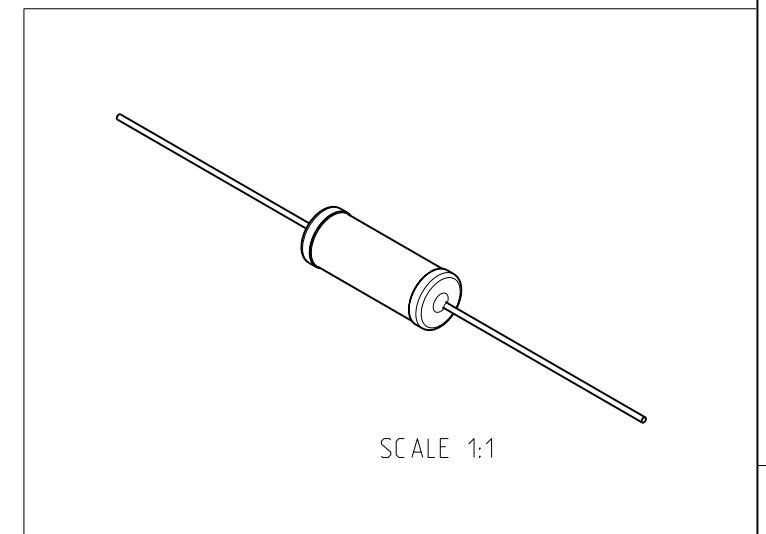
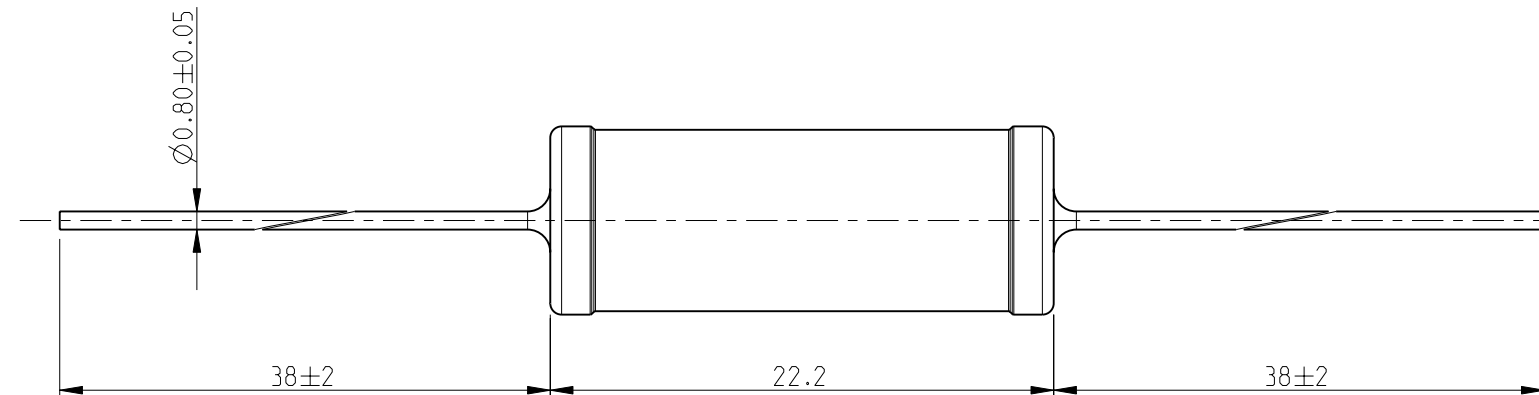
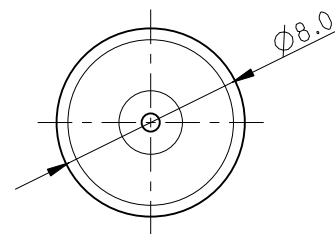
2010

© COPYRIGHT 2010 BY -


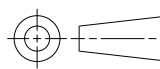
ALL RIGHTS RESERVED.

LOC	DIST	REVISIONS			
P	LTR	DESCRIPTION	DATE	DWN	APVD
E	B	BA1	REVISED PER ECO-11-005150	29MAR2011	RK HMR

FOR FURTHER INFORMATION SEE DATA SHEET FOR SERIES ER/ERV- HIGH POWER RESISTORS



RoHS Compliant

THIS DRAWING IS A CONTROLLED DOCUMENT.		DWN	MAHARUDRA	11-FEB-10	 TE Connectivity HIGH POWER RESISTORS SERIES ER58
DIMENSIONS: mm		CHK	ALLAN.P	11-FEB-10	
		APVD	STEPHEN.P	11-FEB-10	
TOLERANCES UNLESS OTHERWISE SPECIFIED: 0 PLC ± 0.2 1 PLC ± 0.1 2 PLC $\pm -$ 3 PLC $\pm -$ 4 PLC $\pm -$ ANGLES $\pm 5^\circ$		PRODUCT SPEC	-	-	
MATERIAL	-	FINISH	-	-	NAME
		APPLICATION SPEC	-	-	SIZE
		WEIGHT	-	-	CAGE CODE
		CUSTOMER DRAWING			DRAWING NO
		SCALE	3:1	SHEET	1 OF 1
		REV	BA1	RESTRICTED TO	-

Mouser Electronics

Authorized Distributor

Click to View Pricing, Inventory, Delivery & Lifecycle Information:

[TE Connectivity:](#)

[ER5820KJT](#)