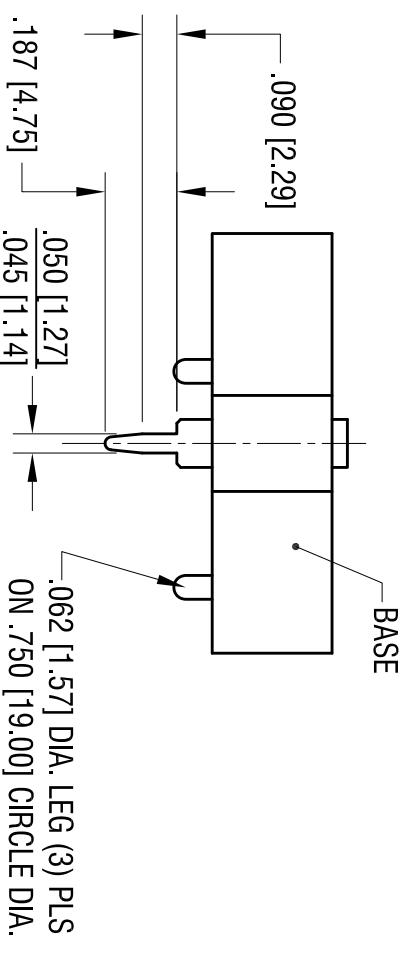
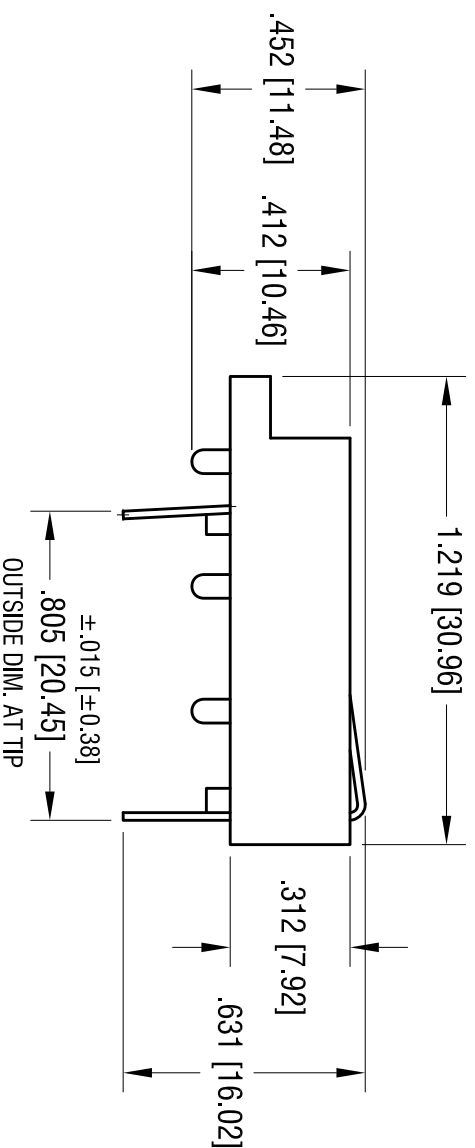
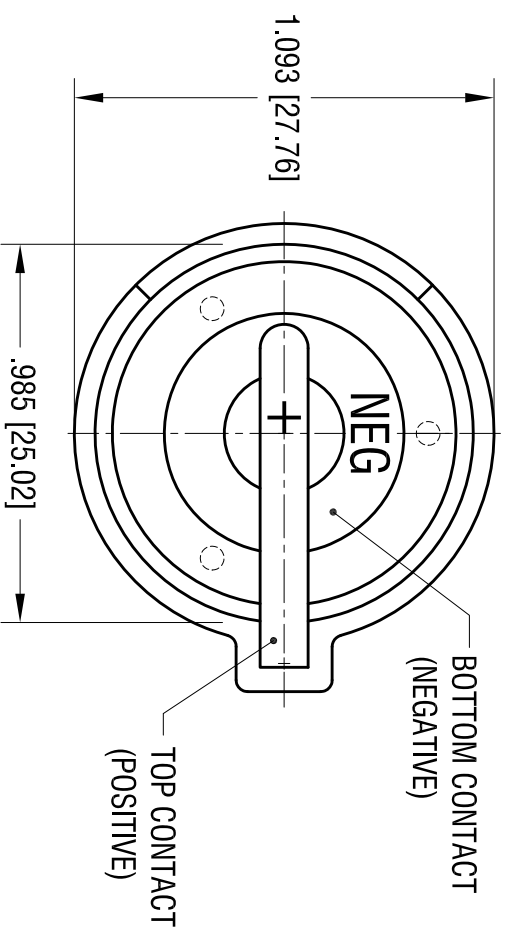
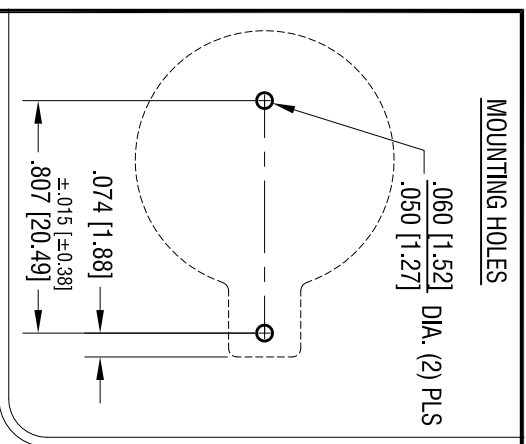
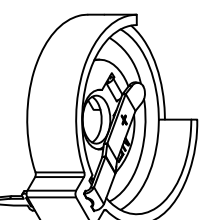


DATE	DESCRIPTION	REV.
9.20.04	CHANGE AS PER ECN 04-115	C
11.2.11	CHANGE AS PER ECN 11-147	D



- NOTES:
1. BASE: MAT'L - PBT (UL 94V-0), COLOR BLACK
  2. CONTACTS (TOP AND BOTTOM): MAT'L - .020 [0.50] THK SPRING STEEL  
FINISH: TIN NICKEL PLATE



THIS DOCUMENT IS THE PROPERTY OF KEYSTONE ELECTRONICS CORP. AND SHALL NOT BE REPRODUCED, DISTRIBUTED OR USED AS A BASIS FOR MANUFACTURE OF ANY PRODUCT WITHOUT THE WRITTEN PERMISSION FROM KEYSTONE ELECTRONICS CORP.

**KEYSTONE ELECTRONICS CORP.**  
 www.keystec.com • ASTORIA, N.Y. 11105-2017 • Tel (718) 956-8900

PART NAME

COIN CELL PC BATTERY HOLDER

MATERIAL

AS NOTED

FINISH

AS NOTED

TOLERANCES	INCH	[MM]	CODE
DECIMAL	± .010	[± 0.25]	C
ANGULAR	± 1°		

DRN BY	DATE
BOONE	8.15.84
APP'D	SCALE
LN	2X

DWG NO. 1025

# Mouser Electronics

Authorized Distributor

Click to View Pricing, Inventory, Delivery & Lifecycle Information:

[Keystone Electronics:](#)

[1025](#)