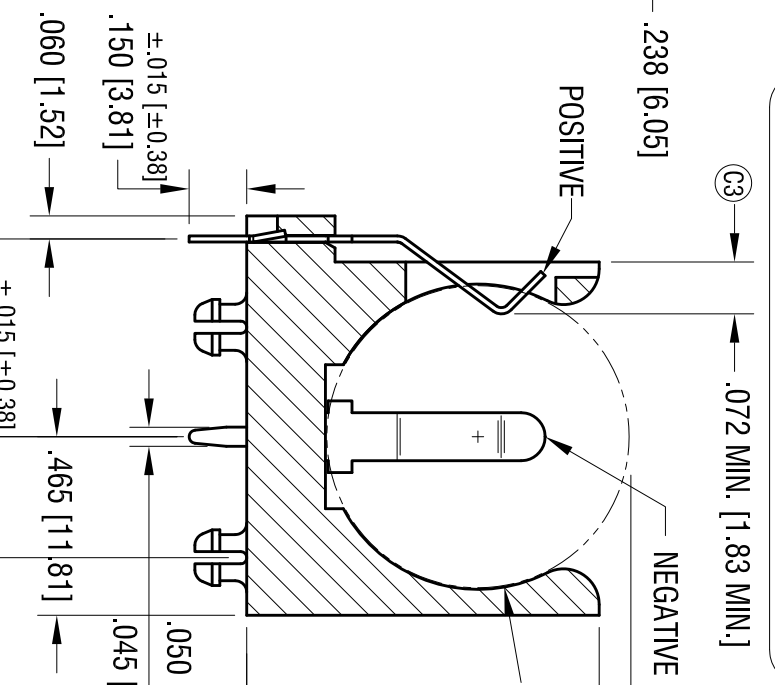
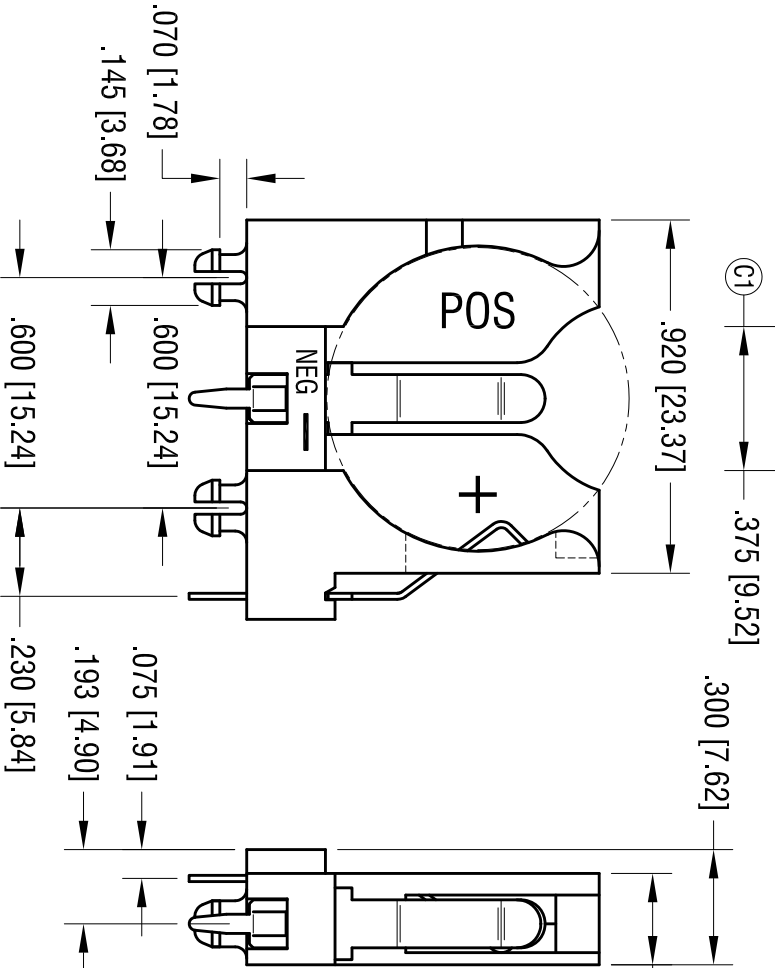
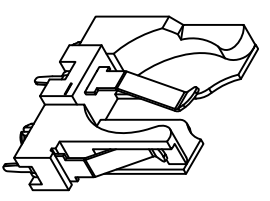
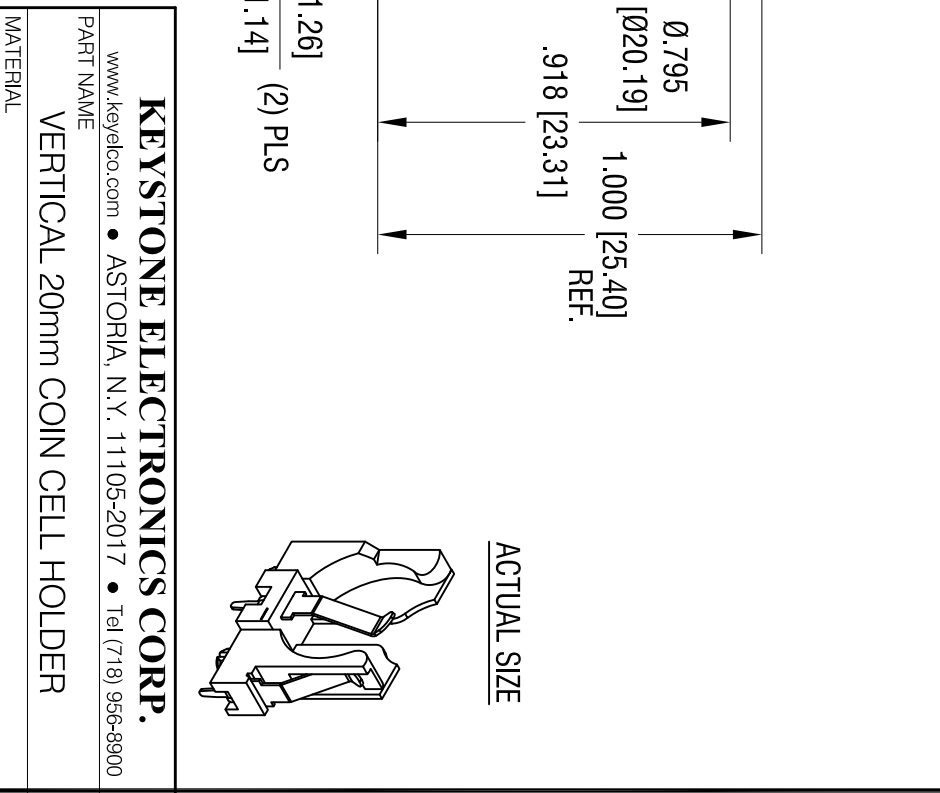


TOLERANCE: ±.005 [±0.15] UNLESS OTHERWISE SPECIFIED.



DATE	DESCRIPTION	REV.
7.6.98	CHANGE AS PER ECR 98-038	A
4.19.12	CHANGE AS PER ECN 10-051 ADD CONTACT LOCATION DIMENSIONS	B
8.02.13	CHANGE AS PER ECN 13-063 ADD C1, C2, C3 DIMENSIONS CONTACT MAT'L WAS SPRING STEEL	C



ACTUAL SIZE

NOTES:
1. BASE:
MAT'L - PBT (UL 94V-0) BLACK
CONTACTS:
MAT'L - .016 [0.40] THK STAINLESS STEEL
FINISH - TIN NICKEL PLATE.

KEYSTONE ELECTRONICS CORP.			
www.keystone.com • ASTORIA, N.Y. 11105-2017 • Tel (718) 956-8900			
PART NAME VERTICAL 20mm COIN CELL HOLDER			
MATERIAL AS NOTED			
FINISH AS NOTED	DRN BY BOONE	DATE 5.6.98	
TOLERANCES DECIMAL ± .010 [± 0.25] ANGULAR ± 1° UNLESS OTHERWISE SPECIFIED	CODE C	DWG NO. LN	SCALE 2X
			1065

THIS DOCUMENT IS THE PROPERTY OF
KEYSTONE ELECTRONICS CORP. AND
SHALL NOT BE REPRODUCED, DISTRIBUTED
OR USED AS A BASIS FOR MANUFACTURE
WITHOUT PRIOR WRITTEN PERMISSION
FROM KEYSTONE ELECTRONICS CORP.

Mouser Electronics

Authorized Distributor

Click to View Pricing, Inventory, Delivery & Lifecycle Information:

[Keystone Electronics:](#)

[1065](#)