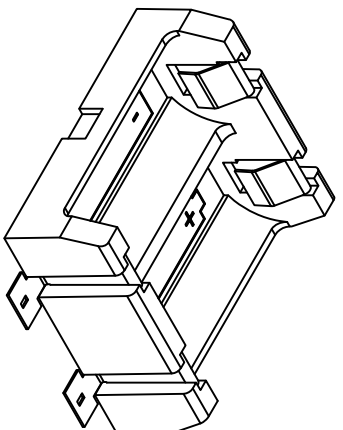
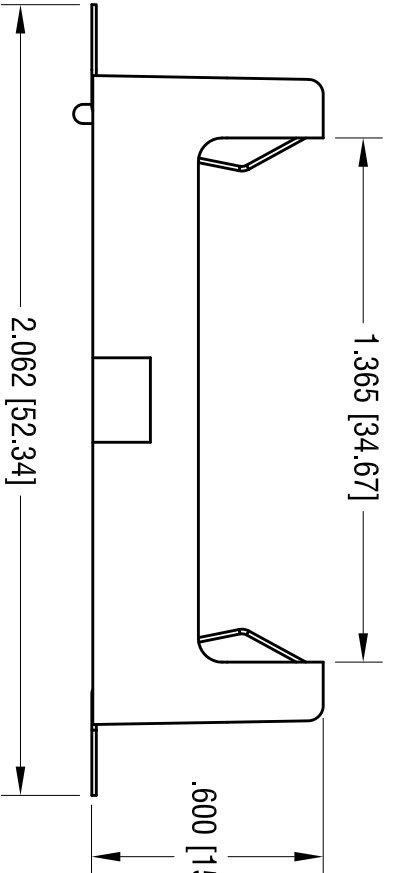
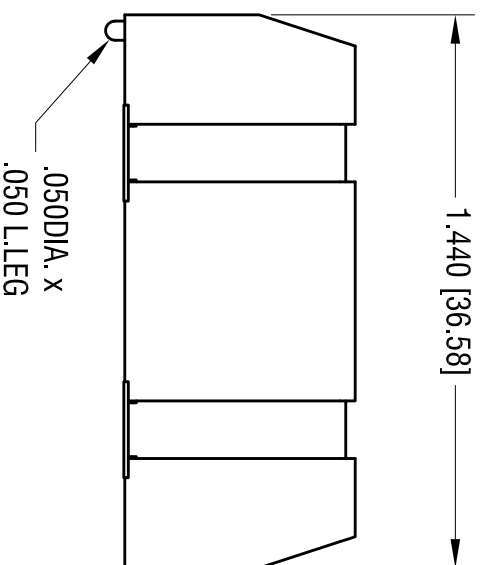
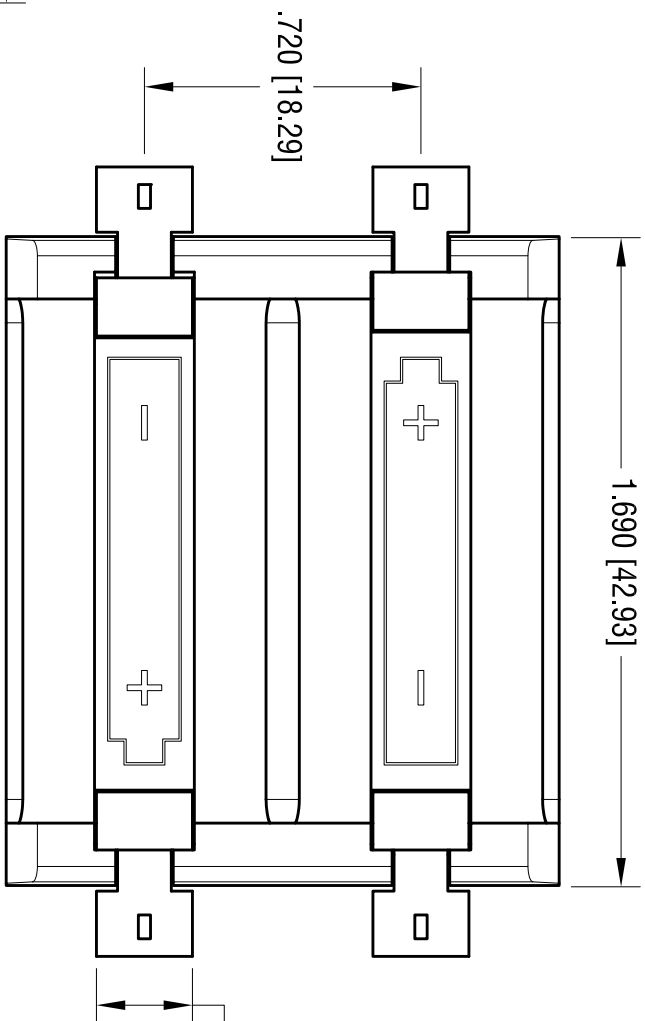
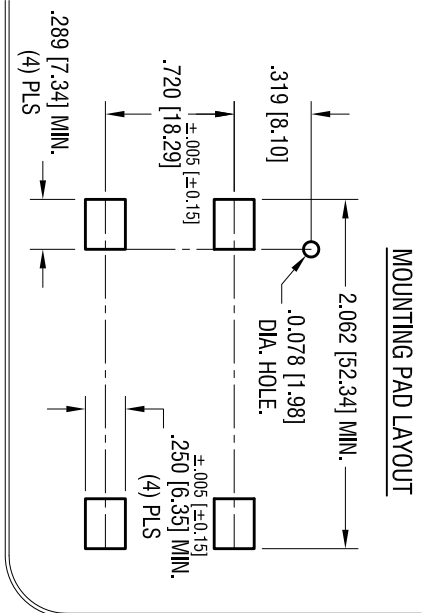


MOUNTING PAD LAYOUT



ACTUAL SIZE

DATE	DESCRIPTION	REV.

NOTE:

- 1. BASE:
MATEL: HEAT RESISTANCE NYLON (UL94V-0)
STANYL 46 OR EQUIVALENT
- 2. CONTACT:
MATEL: .012 [0.30] THK STAINLESS STEEL
FINISH: GOLD FLASH, OVER NICKEL PLATE.

KEYSTONE ELECTRONICS CORP.

www.keystone.com • ASTORIA, N.Y. 11105-2017 • Tel (718) 956-8900

PART NAME

SM BATTERY HOLDER, (2) 2/3A

MATERIAL

AS NOTED

FINISH

AS NOTED

TOLERANCES	INCH	[MM]	CODE	DWG NO.
DECIMAL	± .010	[±	C	1100
ANGULAR	± 1°]	C	
UNLESS OTHERWISE SPECIFIED				

THIS DOCUMENT IS THE PROPERTY OF KEYSTONE ELECTRONICS CORP. AND SHALL NOT BE REPRODUCED, DISTRIBUTED OR USED AS A BASIS FOR MANUFACTURE WITHOUT PRIOR WRITTEN PERMISSION FROM KEYSTONE ELECTRONICS CORP.

DRN BY	DATE
NT	1.05.15

App'D	SCALE
LN	2X

Mouser Electronics

Authorized Distributor

Click to View Pricing, Inventory, Delivery & Lifecycle Information:

[Keystone Electronics:](#)

[1100](#)