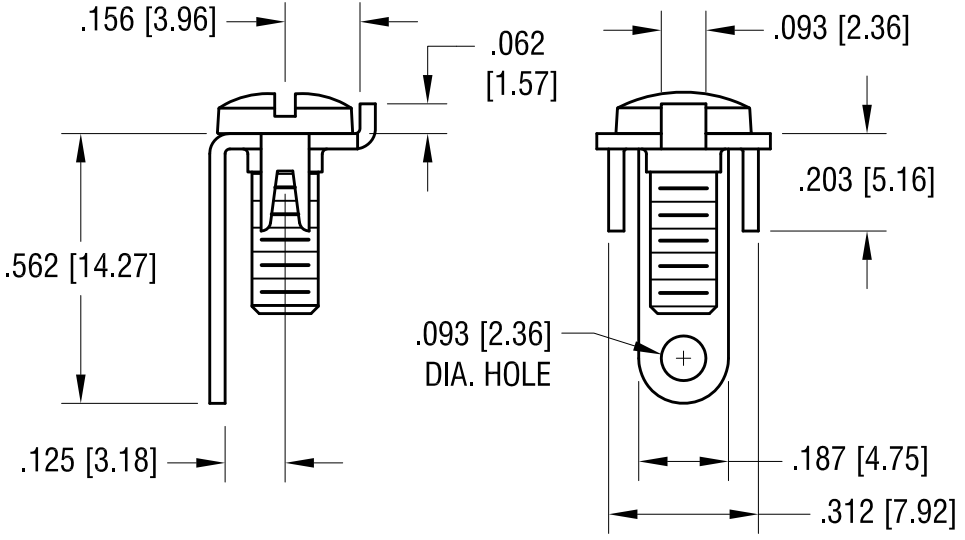
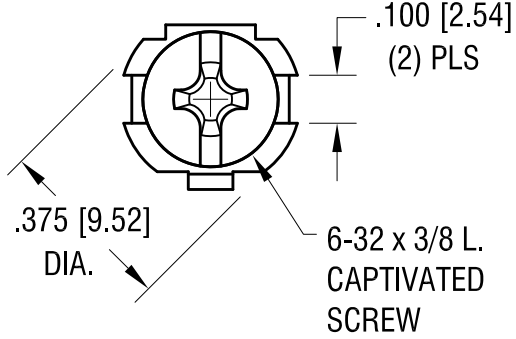
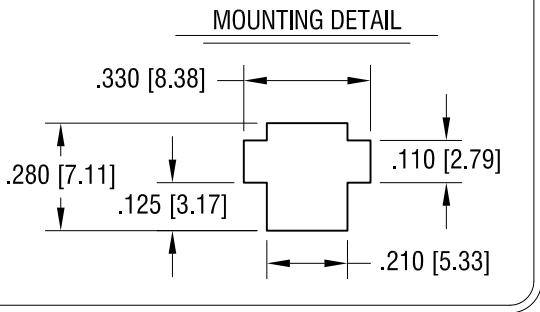
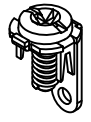


THIS DOCUMENT IS THE PROPERTY OF KEYSTONE ELECTRONICS CORP. AND SHALL NOT BE REPRODUCED, DISTRIBUTED OR USED AS A BASIS FOR MANUFACTURE WITHOUT PRIOR WRITTEN PERMISSION FROM KEYSTONE ELECTRONICS CORP.

**ACTUAL SIZE**



**NOTE:**  
 1. TERMINAL: MAT'L: .032 [0.81] TH'K STEEL  
 FINISH: BRIGHT TIN PLATE  
 SCREW: MAT'L: STEEL  
 FINISH: NICKEL PLATE

8.24.12	CHANGE AS PER ECN 12-118	F
5.15.12	CHANGE AS PER ECN 12-062	E
7.15.09	TERMINAL FINISH WAS TIN PLATE CHANGE AS PER ECN 09-102	D
4.22.09	ECN 09-034 SCREW REPLACED BY COMBINATION HEAD SCREW	C
1.13.04	ECN 04-004 TERMINAL FINISH WAS CADMIUM PLATE	B
5.2.90	MAT'L WAS BRASS	A
DATE	DESCRIPTION	REV.

<b>KEYSTONE ELECTRONICS CORP.</b>			
www.keyelco.com • ASTORIA, N.Y. 11105-2017 • Tel (718) 956-8900			
PART NAME			
SCREW TERMINAL, STRAIGHT LEG			
MATERIAL			
AS NOTED			
FINISH		DRN BY	DATE
AS NOTED		BOONE	4.14.82
		APP'D	SCALE
		LN	2.5X
TOLERANCES	INCH [MM]	CODE	DWG NO.
DECIMAL	± .015 [± 0.38]	C	<b>1215</b>
ANGULAR	± 1°		
UNLESS OTHERWISE SPECIFIED			

# Mouser Electronics

Authorized Distributor

Click to View Pricing, Inventory, Delivery & Lifecycle Information:

[Keystone Electronics:](#)

[1215](#)