

4

3

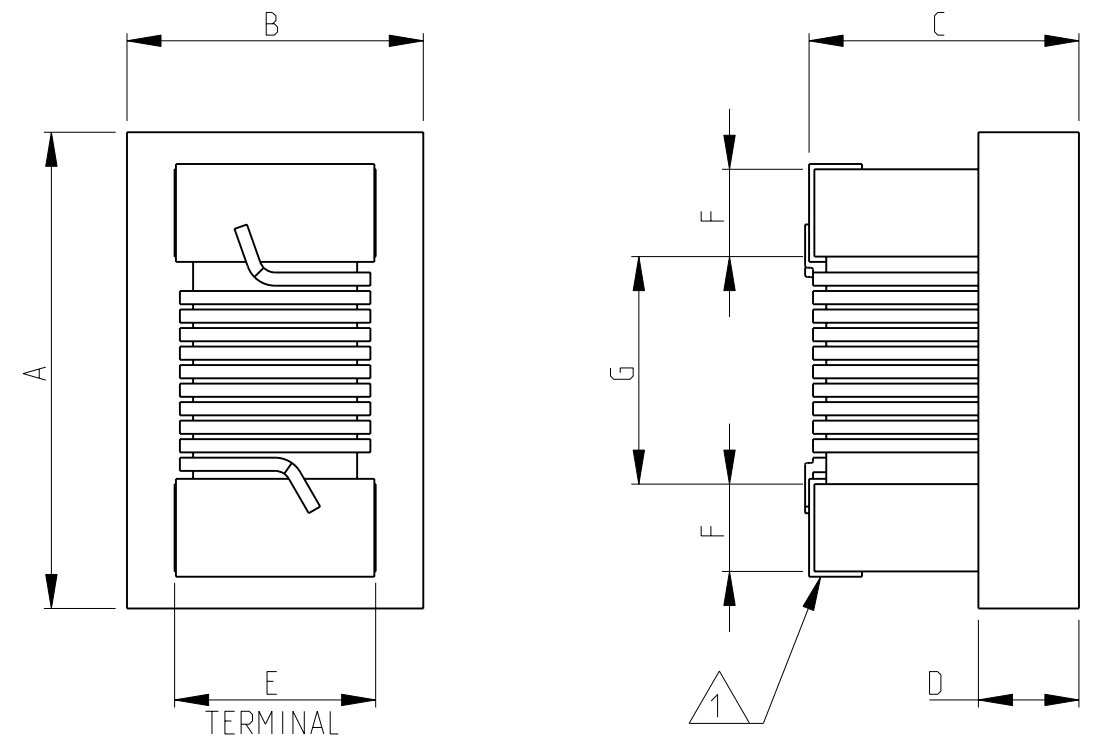
2

1

THIS DRAWING IS UNPUBLISHED. RELEASED FOR PUBLICATION 2009
 © COPYRIGHT 2009 ALL RIGHTS RESERVED.

| LOC | DIST | REVISIONS | | | | |
|-----|------|-------------|---------------------------|-----------|--------|--|
| P | LTR | DESCRIPTION | DATE | DWN | APVD | |
| E | B | BA1 | REVISED PER ECO-11-005150 | 29MAR2011 | RK HMR | |

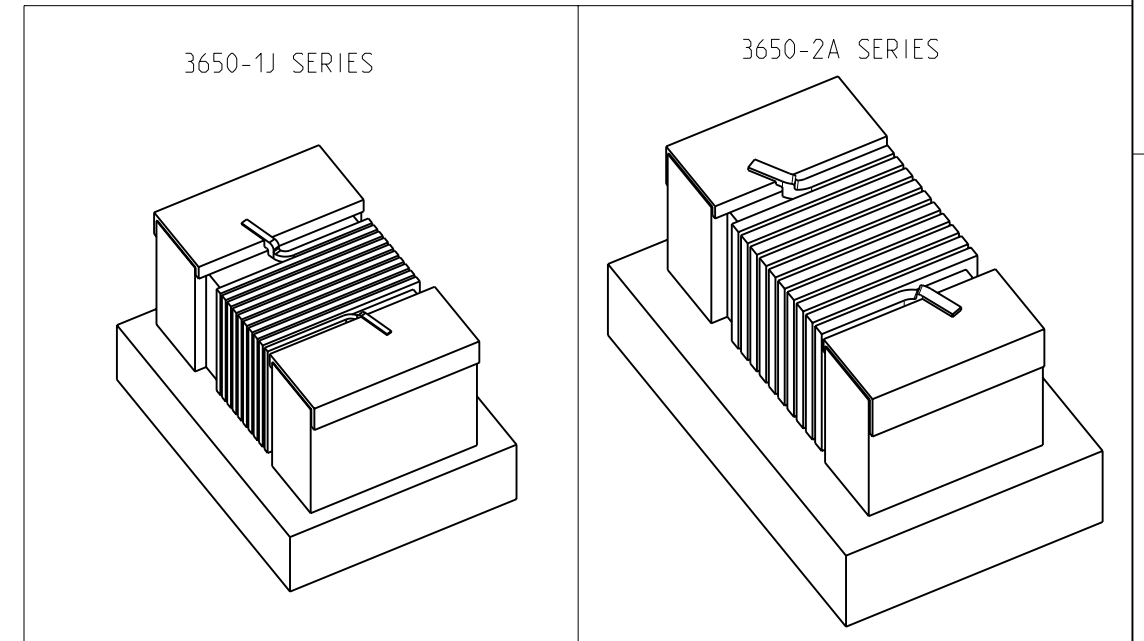
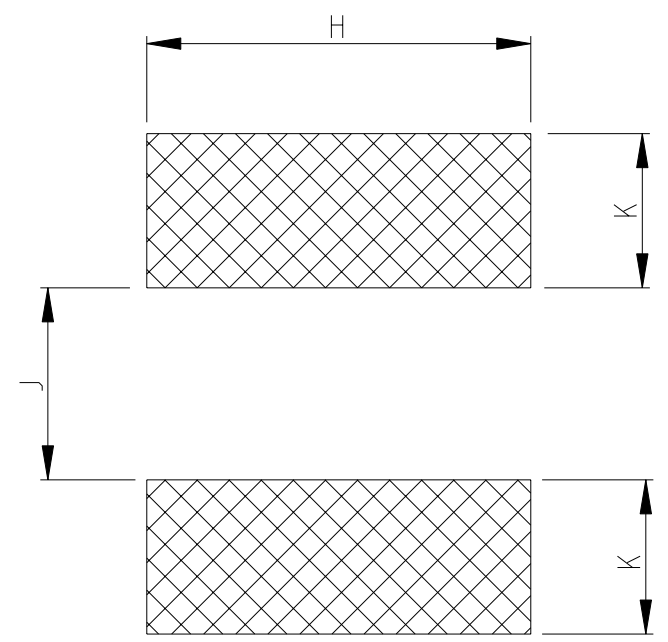
SERIES 3650-1J, 3650-2A AS SHOWN




- 1 TERMINAL WRAPAROUND APPROX 0.007" (0.18mm) BOTH ENDS
- 2 AVAILABLE IN 2 DIFFERENT SERIES
- 3 FOR FURTHER INFORMATION SEE DATA SHEET FOR 3650 SERIES-LOW INDUCTANCE, HIGH FREQUENCY CHIP INDUCTOR

RoHS Compliant

RECOMMENDED LAND PATTERN FOR 3650-2A, 3650-1J SERIES



| | A Max. | B Max. | C Max. | D ref | E | F | G | H | K | J |
|---------|--------|--------|--------|-------|------|------|------|------|------|------|
| 3650-1J | 1.80 | 1.12 | 1.02 | 0.38 | 0.76 | 0.33 | 0.86 | 1.02 | 0.64 | 0.64 |
| 3650-2A | 2.29 | 1.73 | 1.52 | 0.51 | 1.27 | 0.51 | 1.02 | 1.78 | 1.02 | 0.76 |
| SERIES | A Max. | B Max. | C Max. | D ref | E | F | G | H | K | J |

| | | | | | |
|--|--|------------------|---------------------|--|---|
| THIS DRAWING IS A CONTROLLED DOCUMENT. | | DWN | SUBHASH.M 03-AUG-09 | |  TE Connectivity |
| DIMENSIONS: mm | | CHK | ALLAN.P 03-AUG-09 | | |
| TOLERANCES UNLESS OTHERWISE SPECIFIED: | | APVD | STEPHEN.P 03-AUG-09 | | |
| 0 PLC ± 0.2 1 PLC ± 0.1 2 PLC ± - 3 PLC ± - 4 PLC ± - ANGLES ± 5° | | PRODUCT SPEC | - | | |
| MATERIAL - | | FINISH | - | | LOW INDUCTANCE, HIGH FREQUENCY CHIP INDUCTOR SERIES 3650 |
| | | WEIGHT | - | | SIZE A3 CAGE CODE 00779 DRAWING NO 1624113 RESTRICTED TO - |
| | | CUSTOMER DRAWING | | | SCALE NTS SHEET 1 OF 1 REV BA1 |

Mouser Electronics

Authorized Distributor

Click to View Pricing, Inventory, Delivery & Lifecycle Information:

[TE Connectivity:](#)

[36502A1R5JTDG](#)