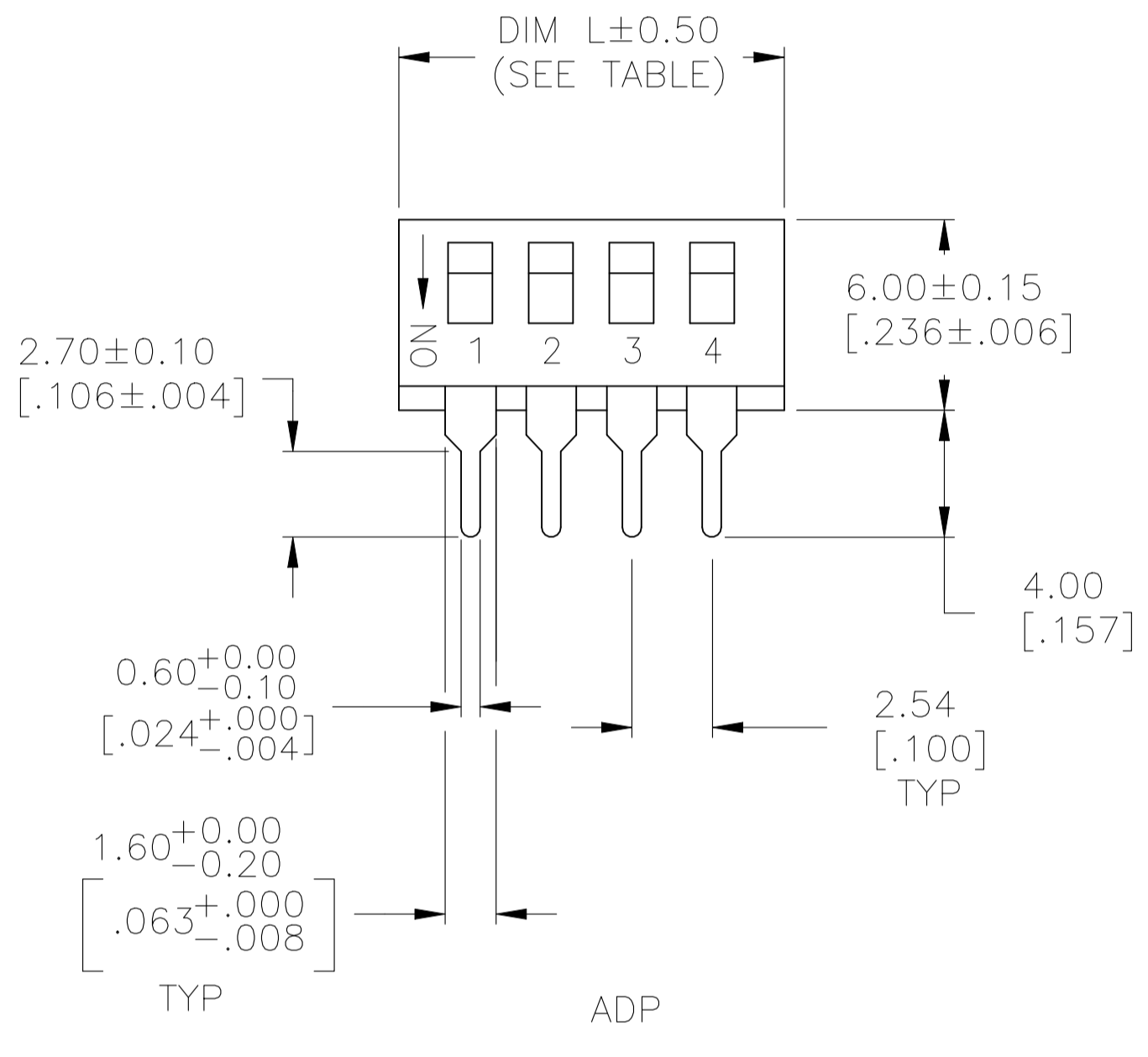
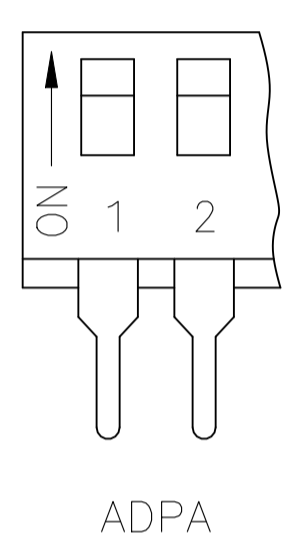
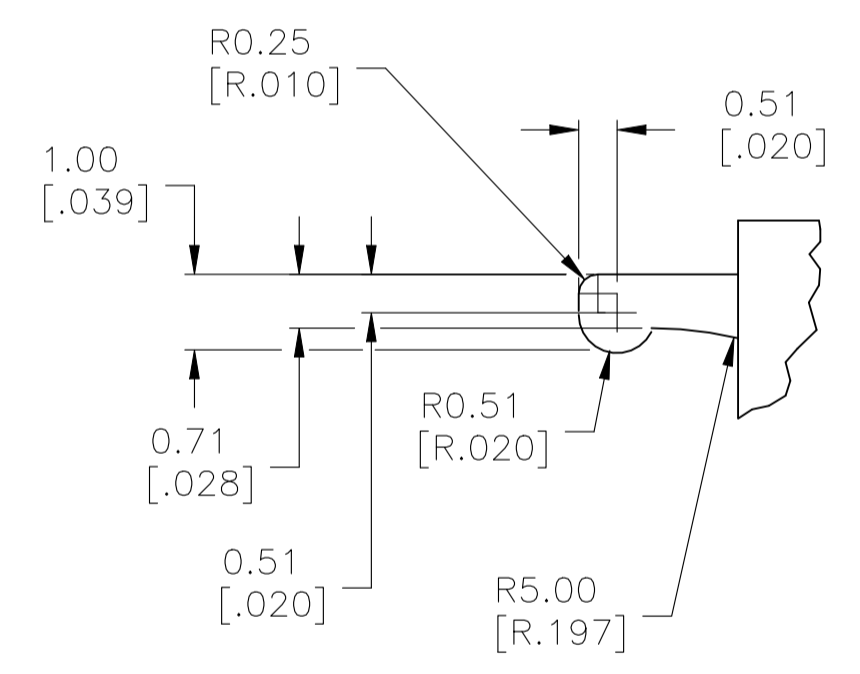
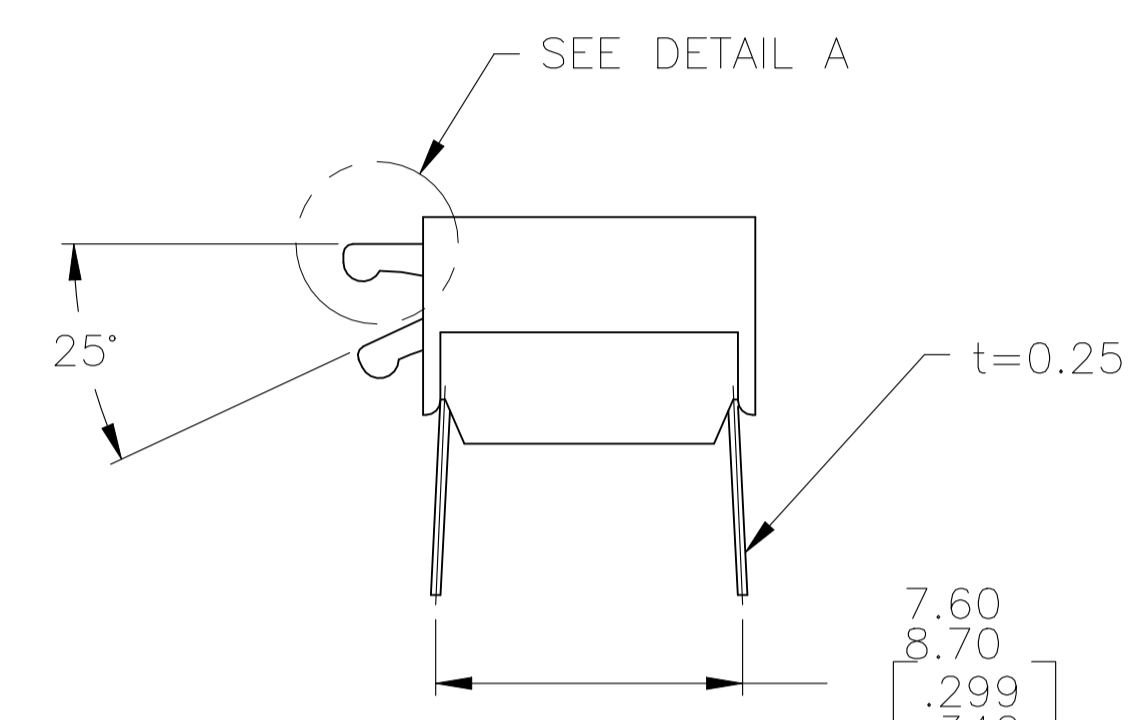


REVISIONS					
REV	DATE	BY	DESCRIPTION	APP'D	REV
E	17AUG2021	GSK	JB	17AUG2021	1



RECOMMENDED HOLE LAYOUT



SPECIFICATIONS:

MATERIAL:  
CASE: PPS 94V-0, BLACK  
COVER: PPS 94V-0, BLACK  
ACTUATOR: NYLON PA6T 94V-0, WHITE  
MOVING CONTACT: COPPER ALLOY, GOLD OVER NICKEL PLATE.  
FIXED CONTACT/TERMINAL: COPPER ALLOY, GOLD OVER NICKEL PLATE.

ELECTRICAL:  
MAX RATING (SWITCHING) 100mA@5VDC (Ampere MAX.) 25mA@24VDC (Voltage MAX.)  
MIN (SWITCHING) 0.10 MICROAMPS @1 MILLIVOLT,  
MAX (NON-SWITCHING) 1 AMP @ 5V DC INITIAL  
CONTACT RESISTANCE: 50 MILLIOHMS MAX.  
INSULATION RESISTANCE: 100 MEGOHMS MIN. @ 100 VDC.  
DIELECTRIC STRENGTH: 300V AC FOR 1 MINUTE.  
ELECTRICAL LIFE, 1,000 CYCLES (10mA@5VDC)"  
WITHSTAND VOLTAGE, 300VAC for 1 min BETWEEN THE SAME POLES".

MECHANICAL:  
ACTUATION FORCE: 800g MAX.

ENVIRONMENTAL:  
OPERATING TEMPERATURE: -22°F TO +185°F (-30°C TO +85°C).  
STORAGE TEMPERATURE: -40°F TO +121°F (-40°C TO +85°C).  
SOLDER HEAT RESISTANCE TO 265±3°C FOR 8±2 SECONDS.  
SOLDERABILITY PER JIS C 0050 & JIS C 0053

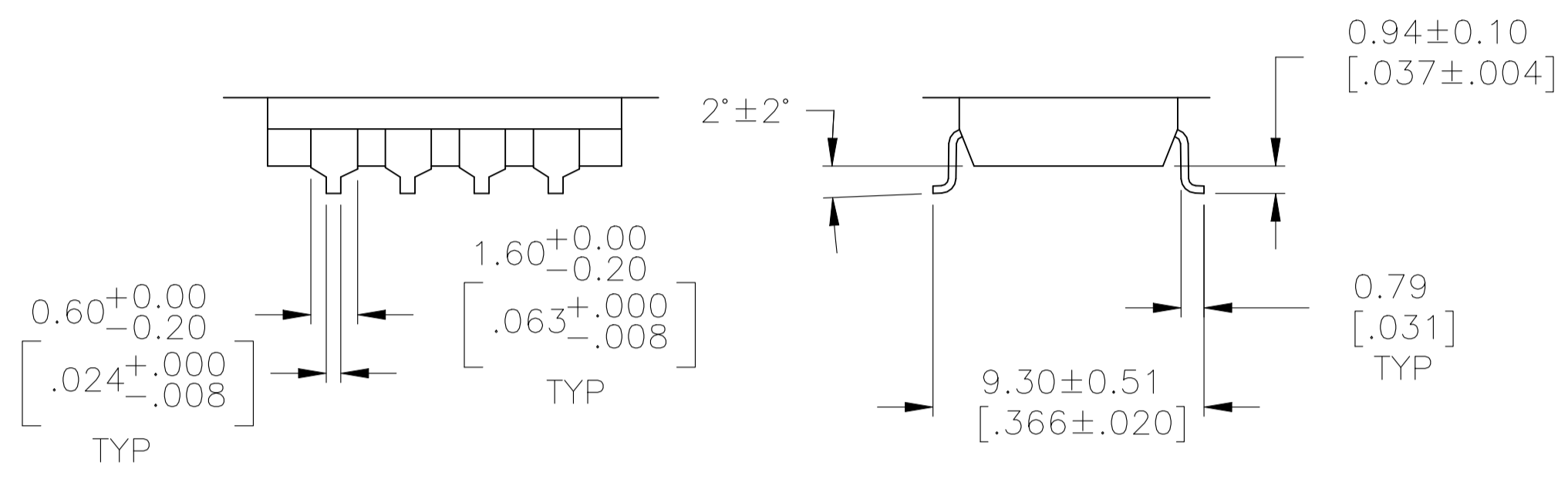
- CONTACT PRESSURE: 2.9N min.
  - CLEANING: AQUEOUS SOLUTION OR SOLVENT.
  - PACKAGING OPTIONS- CLEAR TUBES OR TAPE AND REEL PER EIA-481 SWITCH SUPPLIED IN THE "OFF" POSITION UNLESS "ON" IS SPECIFIED IN THE ALCO PART NUMBER (SEE PART NUMBER TABLE FOR ALL OPTIONS)
  - TOP & FRONT SURFACES TO BE CLEARLY MARKED AS SHOWN.
  - SWITCHES TO BE BLACK WITH WHITE ACTUATORS AND MARKINGS.
  - ALL MATERIAL AND FINISHES SHALL COMPLY WITH EU DIRECTIVE 2002/95/EC OF 27JAN2003 (ROHS)
- △ OBSOLETE PARTS: OBSOLETE CIS STREAMLINING PER D.RENAUD/D.SINISI

SEE SHEET 2 FOR SURFACE MOUNT OPTIONS AND DIMENSIONS.

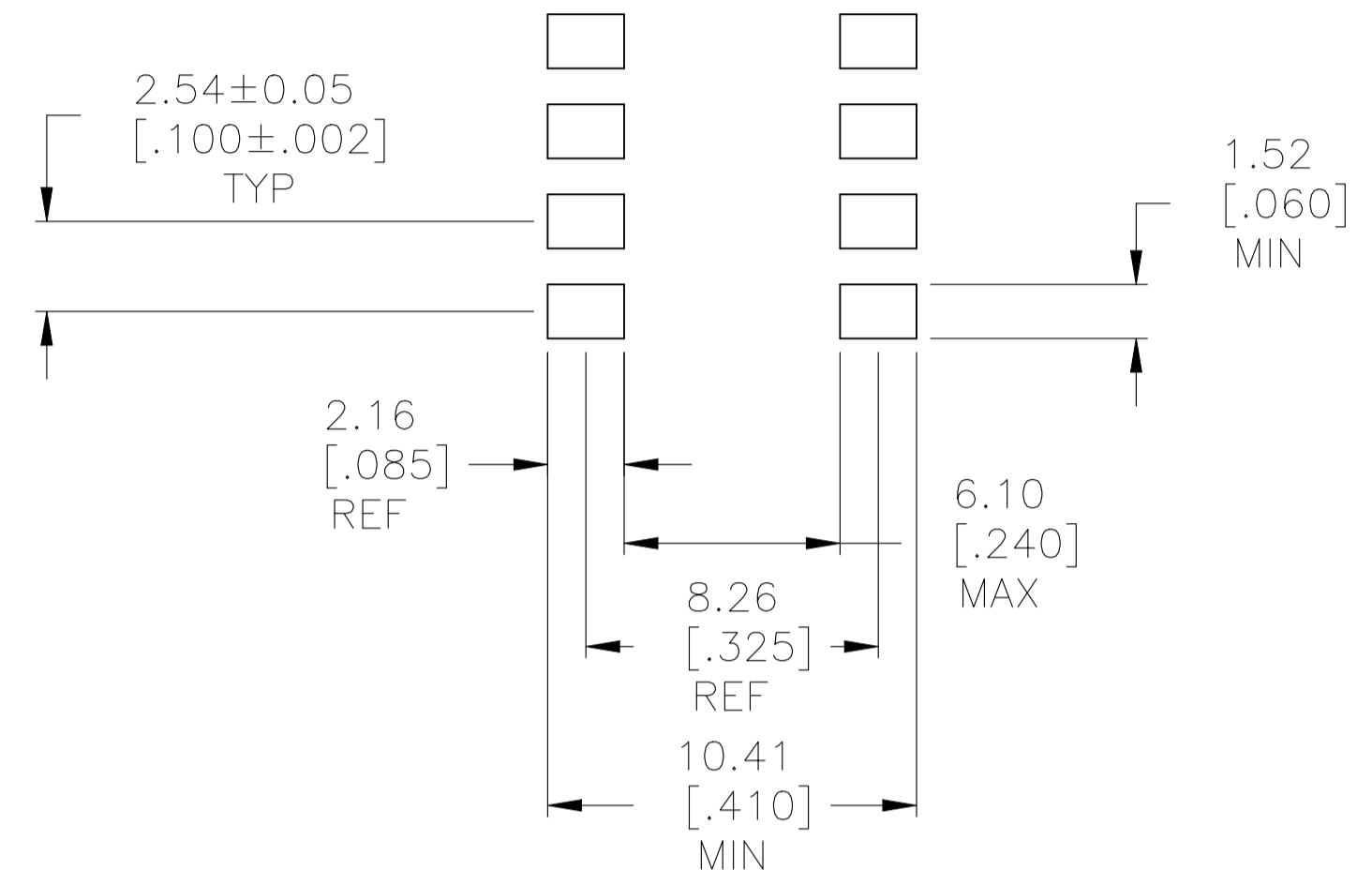
STATUS	DESCRIPTION	QTY	QTY PER POLE	QTY PER DIM L	QTY PER OLD T&B P/N	QTY PER P/N
OBSOLETE	TAPE & REEL	2	7.06 [.278]	ADPA02STR04	6-1571999-5	
	TUBE	10	27.38 [1.078]	ADPA10SA04	6-1571999-4	
	TUBE	10	27.38 [1.078]	ADPA10S04	6-1571999-3	
OBSOLETE	TUBE	10	27.38 [1.078]	ADPA1004	6-1571999-2	
	TUBE	9	24.84 [.978]	ADPA09SA04	6-1571999-1	
	TUBE	9	24.84 [.978]	ADPA09S04	6-1571999-0	
	TUBE	9	24.84 [.978]	ADPA0904	5-1571999-9	
OBSOLETE	TUBE	8	22.30 [.878]	ADPA08SA04	5-1571999-8	
	TUBE	8	22.30 [.878]	ADPA08S04	5-1571999-7	
	TUBE	8	22.30 [.878]	ADPA0804	5-1571999-6	
OBSOLETE	TUBE	7	19.76 [.778]	ADPA07SA04	5-1571999-5	
	TUBE	7	19.76 [.778]	ADPA07S04	5-1571999-4	
	TUBE	7	19.76 [.778]	ADPA0704	5-1571999-3	
OBSOLETE	TUBE	6	17.22 [.678]	ADPA06SA04	5-1571999-2	
	TUBE	6	17.22 [.678]	ADPA06S04	5-1571999-1	
	TUBE	6	17.22 [.678]	ADPA0604	5-1571999-0	
OBSOLETE	TUBE	5	14.68 [.578]	ADPA05SA04	4-1571999-9	
	TUBE	5	14.68 [.578]	ADPA05S04	4-1571999-8	
	TUBE	5	14.68 [.578]	ADPA0504	4-1571999-7	
OBSOLETE	TUBE	4	12.14 [.478]	ADPA04SA04	4-1571999-6	
	TUBE	4	12.14 [.478]	ADPA04S04	4-1571999-5	
	TUBE	4	12.14 [.478]	ADPA0404	4-1571999-4	
OBSOLETE	TUBE	2	7.06 [.278]	ADPA02SA04	4-1571999-3	
	TUBE	2	7.06 [.278]	ADPA02S04	4-1571999-2	
	TUBE	2	7.06 [.278]	ADPA0204	4-1571999-1	
OBSOLETE	TAPE & REEL SWITCH ON	10	27.38 [1.078]	ADP10STR0N04	4-1571999-0	
	TAPE & REEL	10	27.38 [1.078]	ADP10STR04	3-1571999-9	
OBSOLETE	TUBE	10	27.38 [1.078]	ADP10SA04	3-1571999-8	
	TUBE	10	27.38 [1.078]	ADP10S04	3-1571999-7	
	TUBE	10	27.38 [1.078]	ADP1004	3-1571999-6	
OBSOLETE	TAPE & REEL SWITCH ON	9	24.84 [.978]	ADP09STR0N04	3-1571999-5	
	TAPE & REEL	9	24.84 [.978]	ADP09STR04	3-1571999-4	
OBSOLETE	TUBE	9	24.84 [.978]	ADP09SA04	3-1571999-3	
	TUBE	9	24.84 [.978]	ADP09S04	3-1571999-2	
	TUBE	9	24.84 [.978]	ADP0904	3-1571999-1	
OBSOLETE	TAPE & REEL SWITCH ON	8	22.30 [.878]	ADP08STR0N04	3-1571999-0	
	TAPE & REEL	8	22.30 [.878]	ADP08STR04	2-1571999-9	
OBSOLETE	TUBE	8	22.30 [.878]	ADP08SA04	2-1571999-8	
	TUBE	8	22.30 [.878]	ADP08S04	2-1571999-7	
	TUBE	8	22.30 [.878]	ADP0804	2-1571999-6	
OBSOLETE	TAPE & REEL SWITCH ON	7	19.76 [.778]	ADP07STR0N04	2-1571999-5	
	TAPE & REEL	7	19.76 [.778]	ADP07STR04	2-1571999-4	
OBSOLETE	TUBE	7	19.76 [.778]	ADP07SA04	2-1571999-3	
	TUBE	7	19.76 [.778]	ADP07S04	2-1571999-2	
	TUBE	7	19.76 [.778]	ADP0704	2-1571999-1	
OBSOLETE	TAPE & REEL SWITCH ON	6	17.22 [.678]	ADP06STR0N04	2-1571999-0	
	TAPE & REEL	6	17.22 [.678]	ADP06STR04	1-1571999-9	
OBSOLETE	TUBE	6	17.22 [.678]	ADP06SA04	1-1571999-8	
	TUBE	6	17.22 [.678]	ADP06S04	1-1571999-7	
	TUBE	6	17.22 [.678]	ADP0604	1-1571999-6	
OBSOLETE	TAPE & REEL SWITCH ON	5	14.68 [.578]	ADP05STR0N04	1-1571999-5	
	TAPE & REEL	5	14.68 [.578]	ADP05STR04	1-1571999-4	
OBSOLETE	TUBE	5	14.68 [.578]	ADP05SA04	1-1571999-3	
	TUBE	5	14.68 [.578]	ADP05S04	1-1571999-2	
	TUBE	5	14.68 [.578]	ADP0504	1-1571999-1	
OBSOLETE	TAPE & REEL SWITCH ON	4	12.14 [.478]	ADP04STR0N04	1-1571999-0	
	TAPE & REEL	4	12.14 [.478]	ADP04STR04	1571999-9	
OBSOLETE	TUBE	4	12.14 [.478]	ADP04SA04	1571999-8	
	TUBE	4	12.14 [.478]	ADP04S04	1571999-7	
	TUBE	4	12.14 [.478]	ADP0404	1571999-6	
	TAPE & REEL SWITCH ON	2	7.00 [0.276]	ADP02STR0N04	1571999-5	
	TAPE & REEL	2	7.00 ± 0.50 [.276 ± .020]	ADP02STR04	1571999-4	
OBSOLETE	TUBE	2	7.00 ± 0.50 [.276 ± .020]	ADP02SA04	1571999-3	
	TUBE	2	7.00 ± 0.50 [.276 ± .020]	ADP02S04	1571999-2	
	TUBE	2	7.00 ± 0.50 [.276 ± .020]	ADP0204	1571999-1	
PACKAGING		Pole	Dim L	Old T&B P/N	P/N	

THIS DRAWING IS A CONTROLLED DOCUMENT.		DIN 14 FEB 05		TE Connectivity	
DIMENSIONS: mm [INCHES]		TOLERANCES UNLESS OTHERWISE SPECIFIED:			
0 PLC ± - 1 PLC ± - 2 PLC ± - 3 PLC ± ± 0.12(0.31) 4 PLC ± ± 0.12(0.31)		15 FEB 05 15 FEB 05		NAME PRODUCT SPEC	
MATERIAL		FINISH		APPLICATION SPEC SIZE CAGE CODE DRAWING NO	
				WEIGHT A1 00779 1571999	
				RESTRICTED TO CUSTOMER DRAWING SCALE 1:1 SHEET 1 OF 2 REV E	

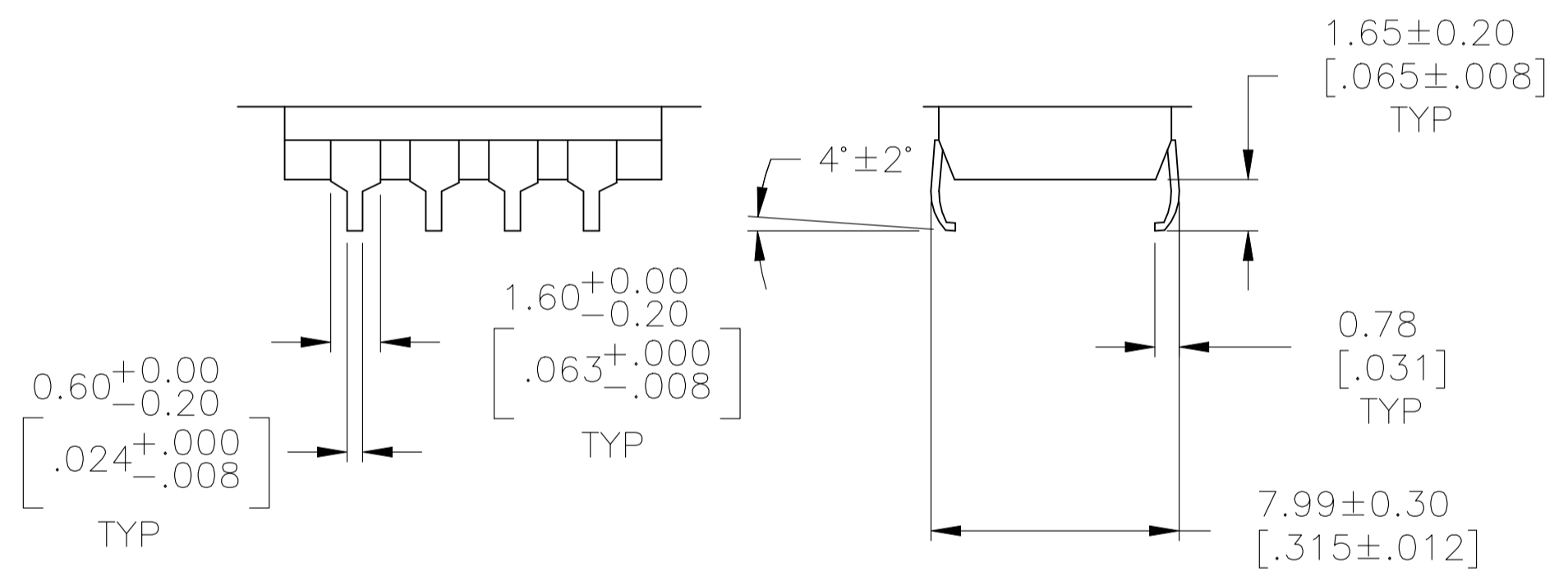
REVISIONS				
REV	DATE	DESCRIPTION	BY	APP'D
-	-	SEE SHEET 1	-	-



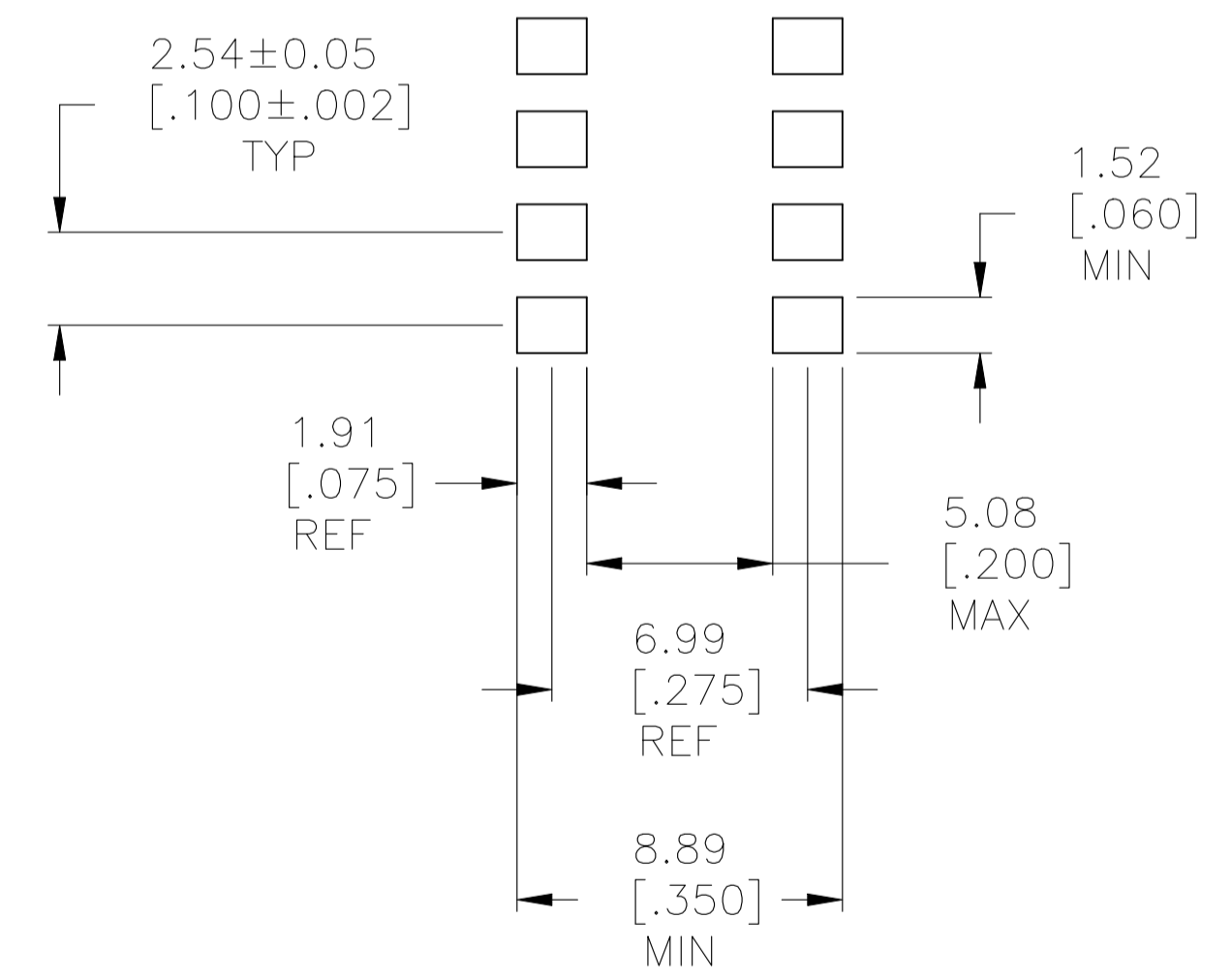
SURFACE MOUNT  
"S" TERMINATION



RECOMMENDED PAD LAYOUT  
SURFACE MOUNT  
"S" TERMINATION



SURFACE MOUNT  
"SA" TERMINATION



RECOMMENDED PAD LAYOUT  
SURFACE MOUNT  
"SA" TERMINATION

THIS DRAWING IS A CONTROLLED DOCUMENT.		DIN M BINNER 14FEB05	TE Connectivity
DIMENSIONS: mm [INCHES]		CHK M SARVER 15FEB05	
TOLERANCES UNLESS OTHERWISE SPECIFIED:		APVD M SARVER 15FEB05	NAME
0. PLC ± -	1. PLC ± -	2. PLC ± -	PRODUCT SPEC
3. PLC ± .012(0.31)	4. PLC ± -	ANGLES ± 1°	APPLICATION SPEC
MATERIAL	FINISH	WEIGHT	SIZE CAGE CODE DRAWING NO. RESTRICTED TO
-	-	A1 00779 1571999	SCALE 1:1 SHEET 2 OF 2 REV E
CUSTOMER DRAWING			