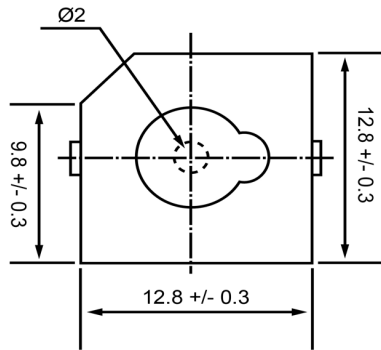
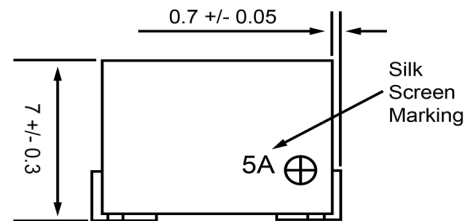


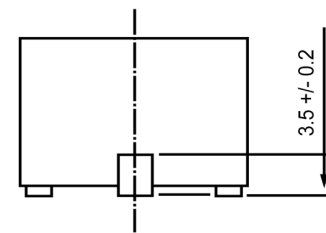
TOP VIEW



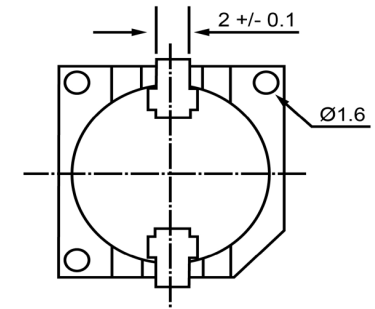
SIDE VIEW (1)





SIDE VIEW (2)



BOTTOM VIEW



Specifications			Notes	Revision History							
Description	Value	Unit		Version	Description		Date	Approved			
Technology	Electro-Mechanical		1) All dimensions are in mm unless otherwise noted 2) All parts meet RoHS	1	Released from Engineering		10/21/2013	J.S			
Resonant Frequency	2,400	(Hz)									
Rated Voltage	5	(V)									
SPL @ 10cm	88	(dBA)									
Tone	Single										
Mount Type	Surface Mount										
Voltage Range	4 ~ 7	(V)									
Max Rated Current	30	(mA)									
Housing Material	PPS										
Operating Temperature	-40 ~ +85	°C									
Storage Temperature	-40 ~ +85	°C									
Weight	2	(g)									
 DB UNLIMITED			 DB UNLIMITED			Electro-Mechanical Indicator			IE122405-1		
						Drawn by: A.B. Date: 10/21/2013 Checked by: C.E. Date: 10/21/2013 Approved by: J.S. Date: 10/21/2013					

Additional considerations can be found at www.dbunlimitedco.com/technical-articles.