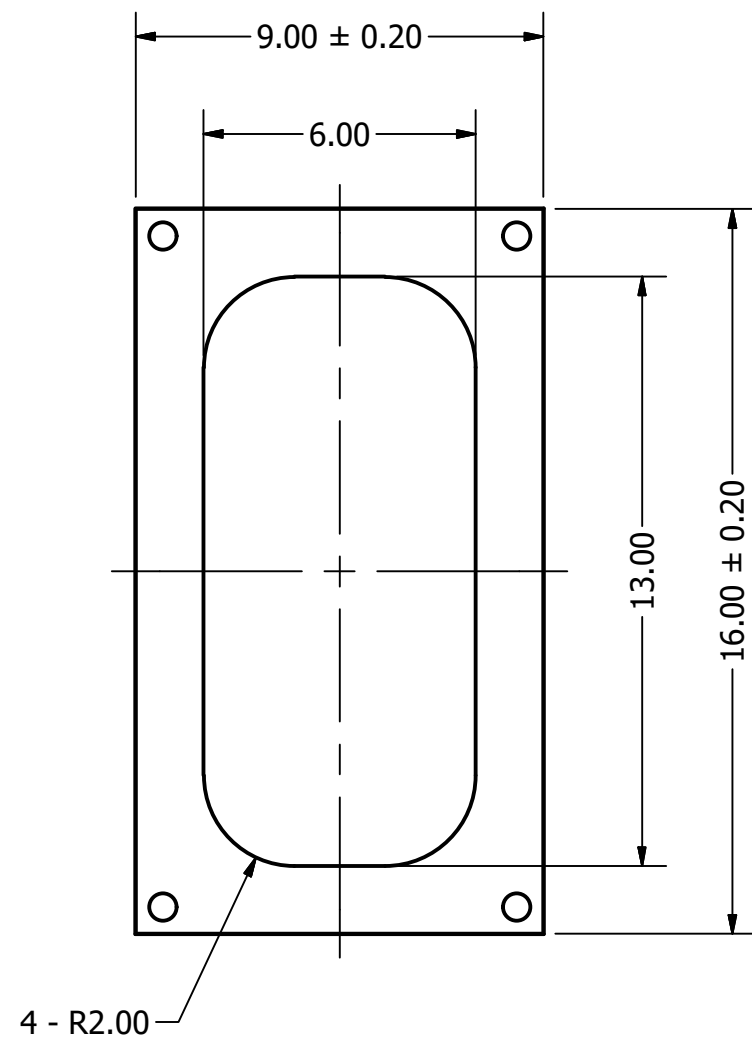
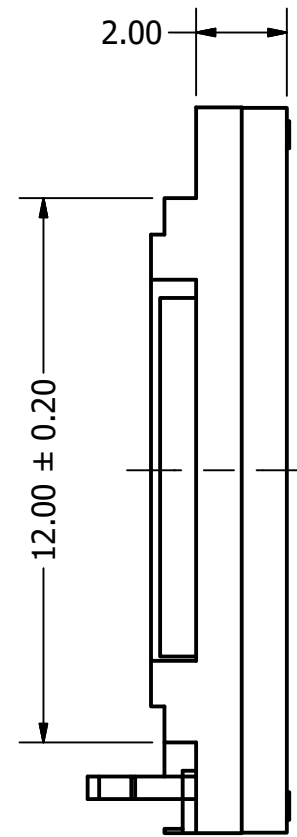


Part Number:	SM160508-1	
Description:	Dynamic Speaker	
DRAWN	CJ	11/24/2015
CHECKED	P.D	12/9/2015
APPROVED	J.S	12/9/2015
This document contains data proprietary to DB Unlimited. Any use or reproduction, in any form, without prior written permission of DB Unlimited is prohibited. All terms and conditions can be found at www.dbunlimitedco.com		

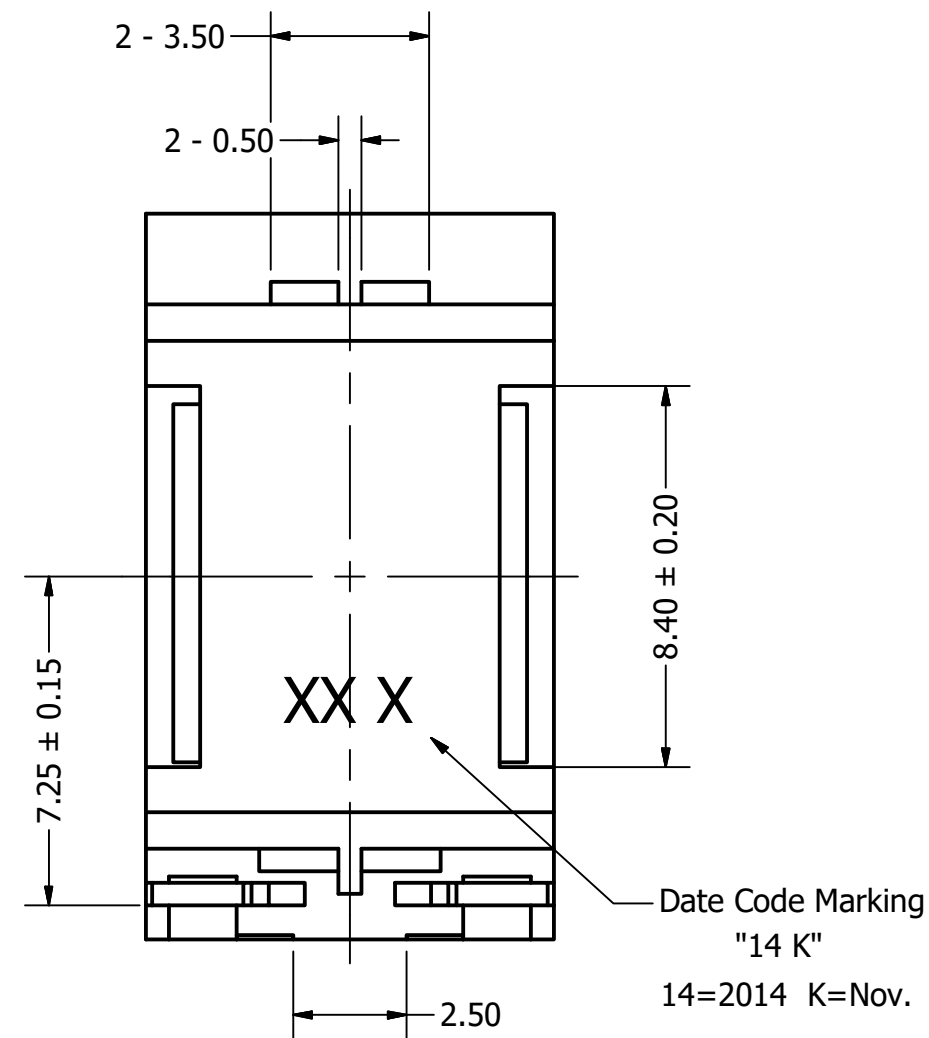
Top View



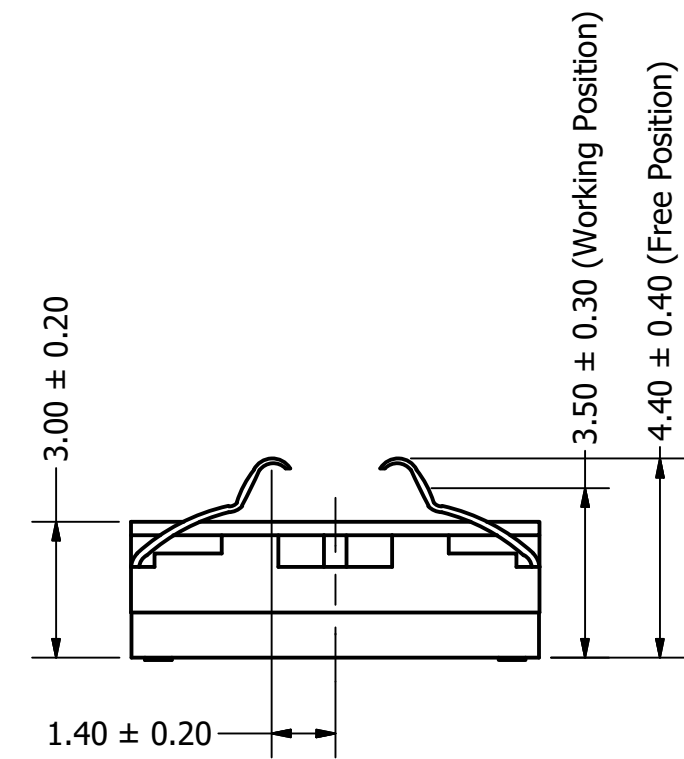
Side View (1)



Bottom View



Side View (2)



Items	Specifications	Conditions
Sound Pressure Level	87	dB (@ 10cm)
Resonant Frequency	550	Hz
Frequency Range	550 ~ 20,000	Hz
Nominal Power	0.5	W
Max. Power	1	W
Impedance	8	Ω
Cone Material	Polyester	
Mount Type	Flush Mount	
Storage Temperature	-20 ~ +70	°C
Operating Temperature	-20 ~ +70	°C
Weight	1	g

REVISION HISTORY			
REV	DESCRIPTION	DATE	APPROVED
	Released from Engineering	11/12/2014	J.S.
1	Updated to new template	12/9/2015	J.S.

NOTES	
1)	All dimensions are in mm unless otherwise noted
2)	All tolerances are ± 0.5 mm unless otherwise noted
3)	All parts meet RoHS
4)	Subject to change or redrawn without notice