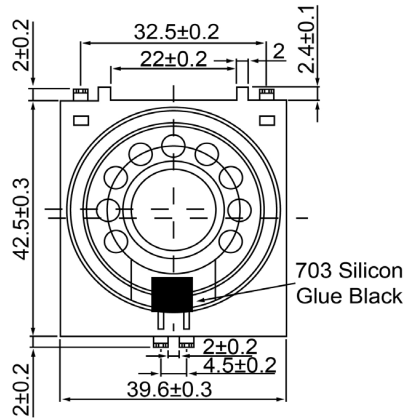
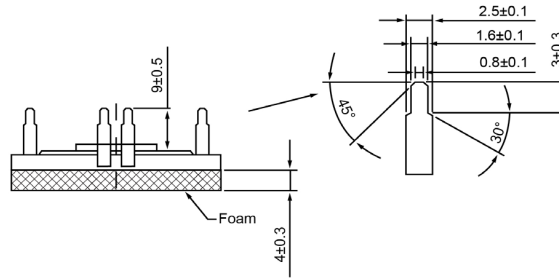


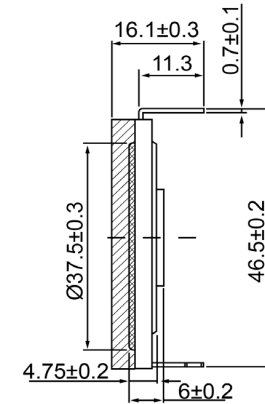
TOP VIEW




SIDE VIEW (1)



SIDE VIEW (2)



| Specifications | | | Notes | Revision History | | | | | |
|-----------------------|----------------|-------|--|---------------------------|---------------------------|------------|----------|-------------|----------|
| Description | Value | Unit | | Version | Description | | Date | Approved | |
| Shape | Rectangle | | 1) All dimensions are in mm unless otherwise noted 2) All parts meet RoHS  DB UNLIMITED | 1 | Released from Engineering | | 2/8/2014 | J.S. | |
| Resonant Frequency | 600 | (Hz) | | | | | | | |
| Frequency Range | 600 ~ 5,000 | (Hz) | | | | | | | |
| SPL @ 10cm | 93 | (dBA) | | | | | | | |
| Impedance | 8 | (Ohm) | | | | | | | |
| Cone Material | Polyetherimide | | | | | | | | |
| Nominal Power | 1.0 | (W) | | | | | | | |
| Max Power | 1.5 | (W) | | | | | | | |
| Mount Type | Thru Hole | | | | | | | | |
| Operating Temperature | -40 ~ +85 | °C | | | | | | | |
| Storage Temperature | -40 ~ +85 | °C | | | | | | | |
| Weight | 9 | (g) | | | | | | | |
| | | | | High Temp Dynamic Speaker | | SM420608-1 | | | |
| | | | | Drawn by | Date | Checked by | Date | Approved by | Date |
| | | | | G.W. | 1/27/2014 | C.E. | 2/5/2014 | J.S. | 2/8/2014 |

Additional considerations can be found at www.dbunlimitedco.com/technical-articles.