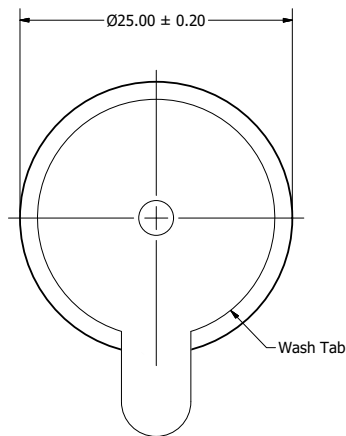
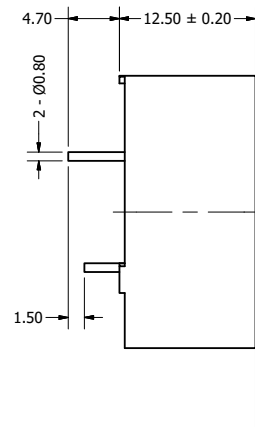


Part Number:	TE251512-1	
DRAWN	CJ	11/11/2016
CHECKED	P.D	11/11/2016
Description:	Electro-Mechanical Transducer	
APPROVED	J.S	11/11/2016
<small>This document contains data proprietary to DB Unlimited. Any use or reproduction, in any form, without prior written permission of DB Unlimited is prohibited. All terms and conditions can be found at www.dbunlimitedco.com</small>		

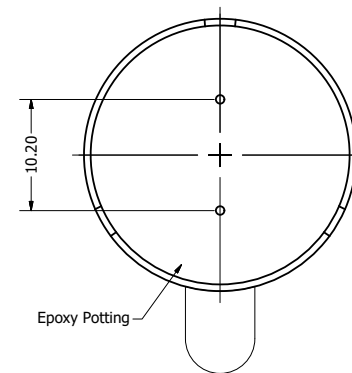
Top View



Side View



Bottom View



Items	Specifications	Conditions	REVISION HISTORY			
Sound Pressure Level	85 ± 5	dB (@ 10cm)	REV	DESCRIPTION	DATE	APPROVED
Resonant Frequency	1,800	Hz	1	Released from Engineering	10/21/2013	J.S.
Rated Voltage	12	V	1	Updated to new template	11/11/2016	J.S.
Voltage Range	9 ~ 16	V	2	Corrected SPL, resonant frequency, voltage range, max current, storage temp, and operating temp	5/18/2017	C.E.
Coil Resistance	120 ± 15	Ω				
Max. Rated Current	70	mA				
Storage Temperature	-40 ~ +90	°C				
Operating Temperature	-40 ~ +85	°C				
Connection Method	PC Pins					
Mount Type	Thru Hole					
Housing Material	NORYL					
Weight	10	g				
NOTES						
1) All dimensions are in mm unless otherwise noted						
2) All tolerances are ± 0.5 mm unless otherwise noted						
3) All parts meet RoHS						
4) Subject to change or redrawn without notice						