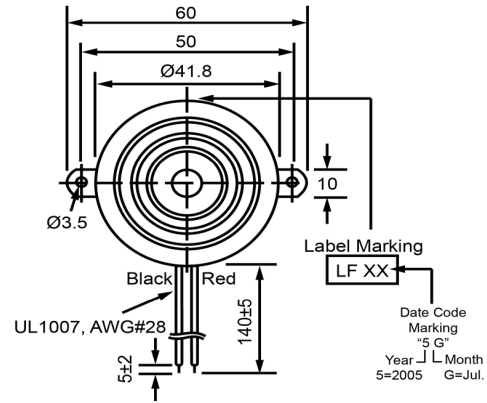
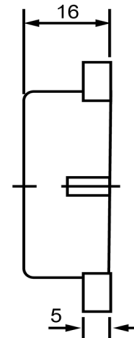



TOP VIEW



SIDE VIEW



Specifications			Notes	Revision History					
Description	Value	Unit		Version	Description		Date	Approved	
Technology	Piezo		1) All dimensions are in mm unless otherwise noted 2) All parts meet RoHS  DB UNLIMITED	1	Released from Engineering		10/21/2013	J.S	
Resonant Frequency	2,800	(Hz)							
Rated Voltage	12	(V)							
SPL @ 10cm	106	(dBA)							
Tone	Single Tone								
Mount Type	Flange								
Voltage Range	1.5 ~ 20	(V)							
Max Rated Current	10	(mA)							
Housing Material	ABS								
Operating Temperature	-20 ~ +60	°C							
Storage Temperature	-30 ~ +70	°C							
Weight	15	(g)							
				Piezo Indicator			IP412812-1		
				Drawn by	Date	Checked by	Date	Approved by	Date
				A.B.	10/21/2013	C.E.	10/21/2013	J.S	10/21/2013

Additional considerations can be found at [www.dbunlimitedco.com/technical-articles](http://www.dbunlimitedco.com/technical-articles).