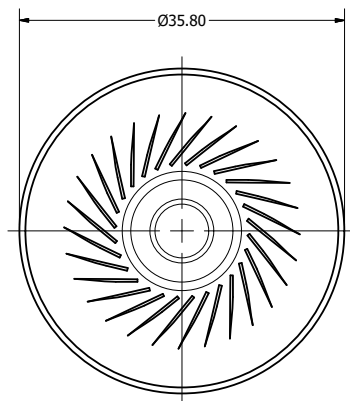
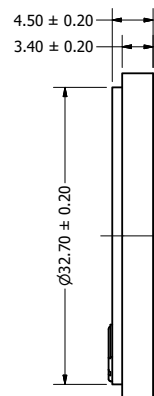


Part Number:	<b>SM350508-1</b>	
	DRAWN CJ	8/10/2016
	CHECKED P.D.	8/10/2016
Description:	Dynamic Speaker	APPROVED J.S.
		8/10/2016
This document contains data proprietary to DB Unlimited. Any use or reproduction, in any form, without prior written permission of DB Unlimited is prohibited. All terms and conditions can be found at <a href="http://www.dbunlimitedco.com">www.dbunlimitedco.com</a>		

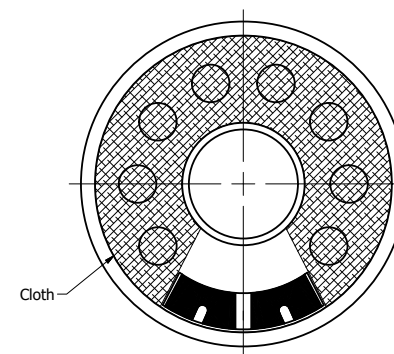
Top View



Side View



Bottom View



Items	Specifications	Conditions	REVISION HISTORY			
			REV	DESCRIPTION	DATE	APPROVED
Sound Pressure Level	89	dB (@ 10cm)		Released from Engineering	10/21/2013	J.S.
Resonant Frequency	500	Hz		Updated to new template	8/10/2016	J.S.
Frequency Range	500 ~ 5,000	Hz	1			
Nominal Power	0.5	W	2	Corrected SPL, resonant frequency, frequency range, operating temp, storage temp, and weight	5/17/2017	C.E.
Max. Power	1	W				
Impedance	8	Ω				
Cone Material	Mylar			NOTES		
Mount Type	Flush Mount			1) All dimensions are in mm unless otherwise noted		
Storage Temperature	-25 ~ +60	°C		2) All tolerances are ± 0.5 mm unless otherwise noted		
Operating Temperature	-25 ~ +60	°C		3) All parts meet RoHS		
Weight	8.5	g		4) Subject to change or redrawn without notice		