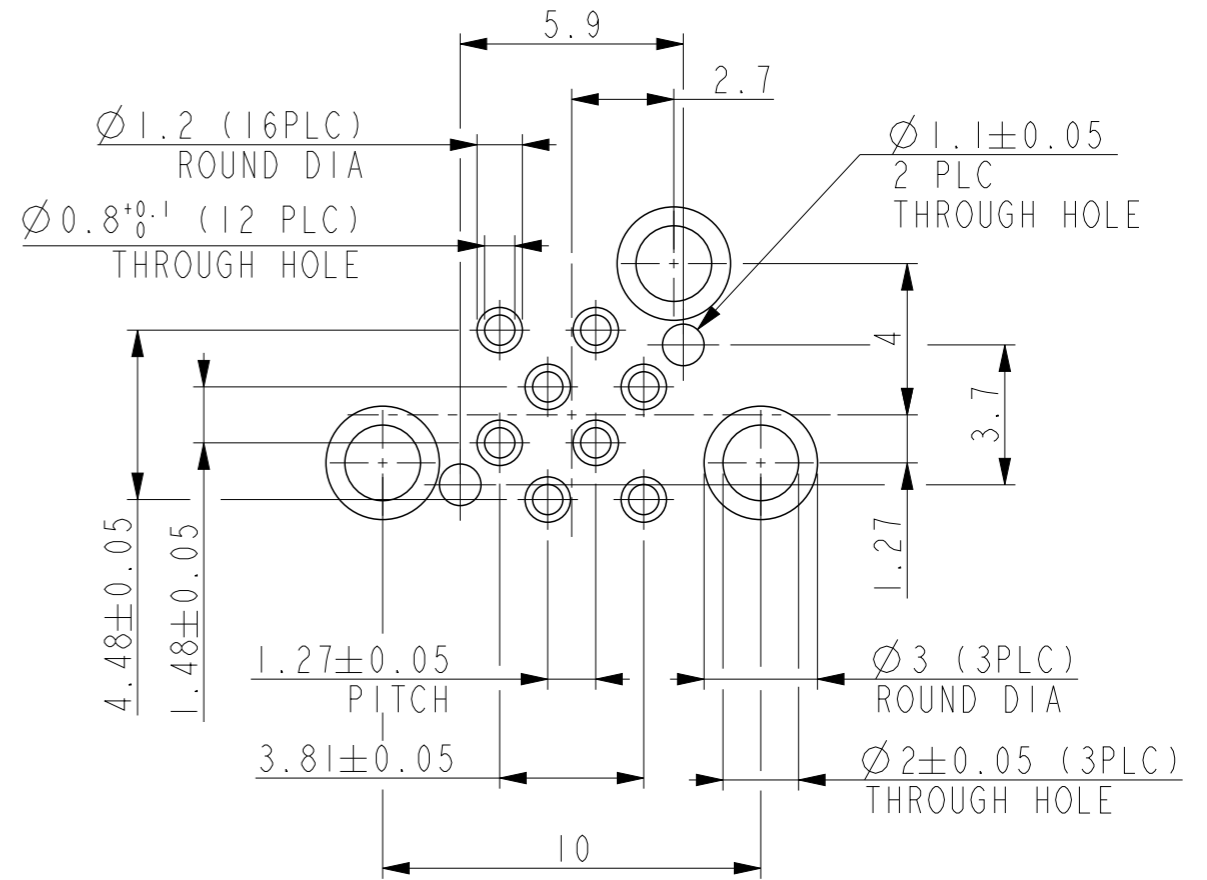


PRODUCT NUMBERING:
 10137849 - 0 0 X 0 LF
 LEAD FREE
 1: TYPE I
 2: TYPE II

NOTES:

- MATERIAL AND FINISH
 CONTACT: COPPER ALLOY
 UNDER ALL SURFACE NICKEL 1.27µm MIN.
 TOP CONTACT AREA : GOLD 0.5µm MIN
 SOLDERING AREA : TIN PLATE.
 HOUSING: THERMO PLASTIC (UL94V-0)
 SHELL: COPPER ALLOY
 UNDER ALL SURFACE NICKEL
 TOP ALL SURFACE TIN
- PACKAGING SPEC GS-14-2538



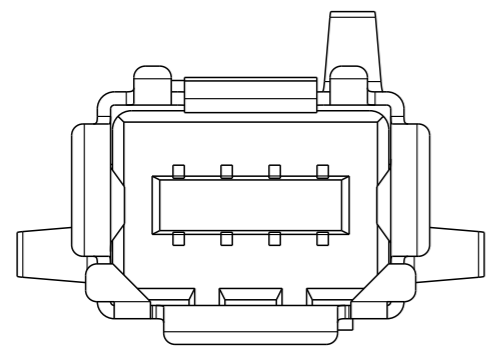
RECOMMENDED BOARD DIMENSION
 t=1.6
 GENERAL TOL. : ±0.1

Amphenol
FCi

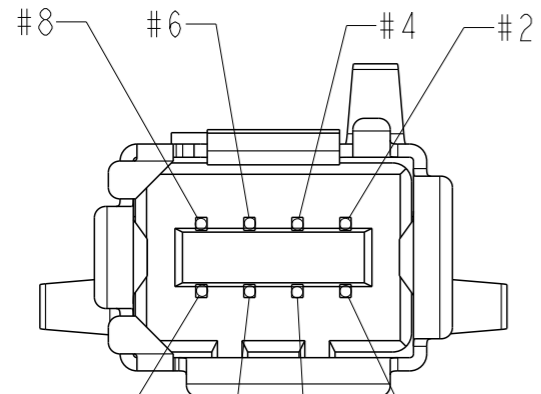
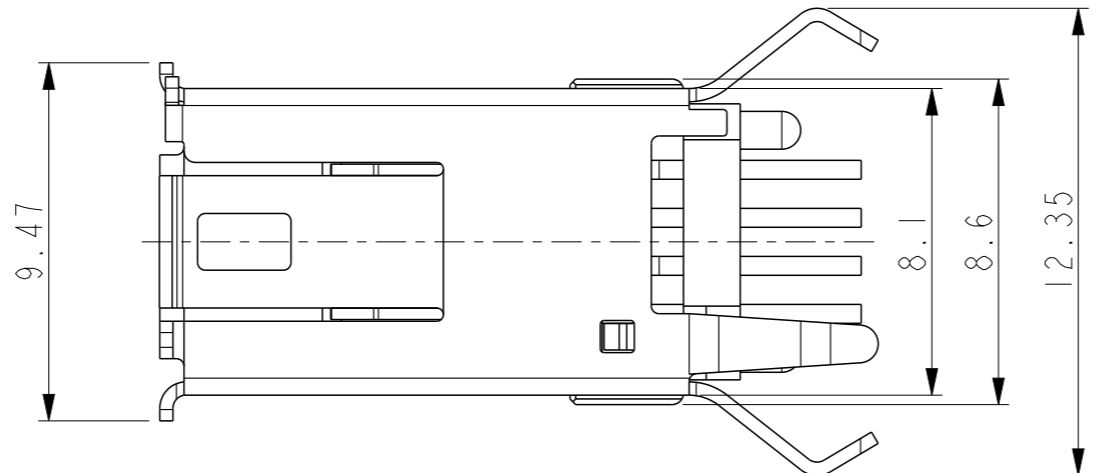
© 2016 AFCI

spec ref	GS-12-1346			dr	A P Sawanth	2016/09/07	projection	mm	size	A3	scale	5:1
tolerance std	TOLERANCES UNLESS OTHERWISE SPECIFIED			eng	Mike Zhou	2017/11/13			ecn no ELX-N-28452-1			
ISO 406 ISO 1101				chr	-	-			rel level Released			
surface	linear	0.X	±0.3	appr	Tim Yao	2017/11/13	product family		-		-	
		0.XX	±-	Amphenol FCi		THR VERTICAL MINI I/O RECEPTACLE 1.27mm PITCH		dwg no 10137849		rev B		
		0.XXX	±-									
ISO 1302	angular	0°	±5°	cat. no.		-	Product - Customer Drw			sheet 1 of 2		

PART NUMBER	DESCRIPTION	POS
10137849-0010LF	TYPE I PIP RECEPTACLE	8
10137849-0020LF	TYPE II PIP RECEPTACLE	8

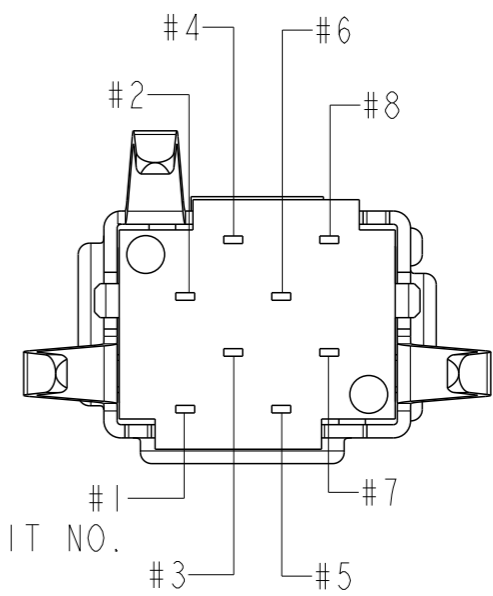
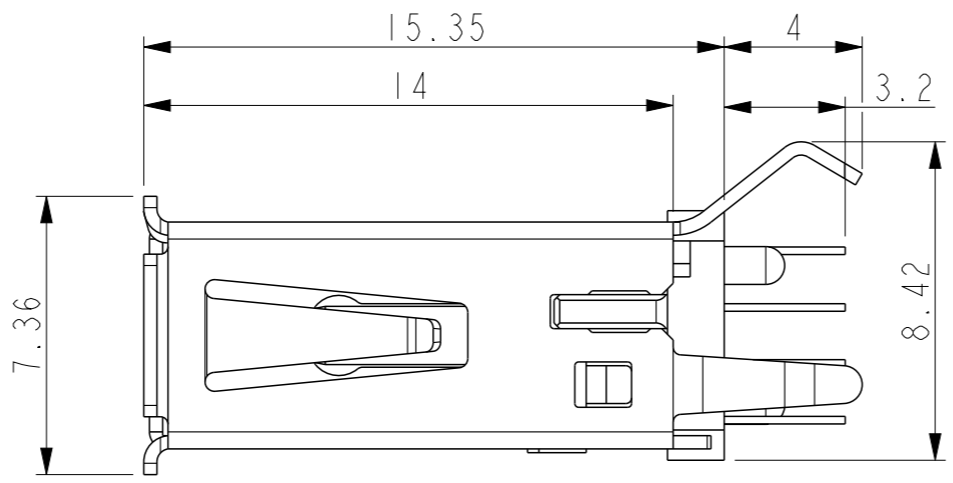


10137849-0020LF
TYPE II

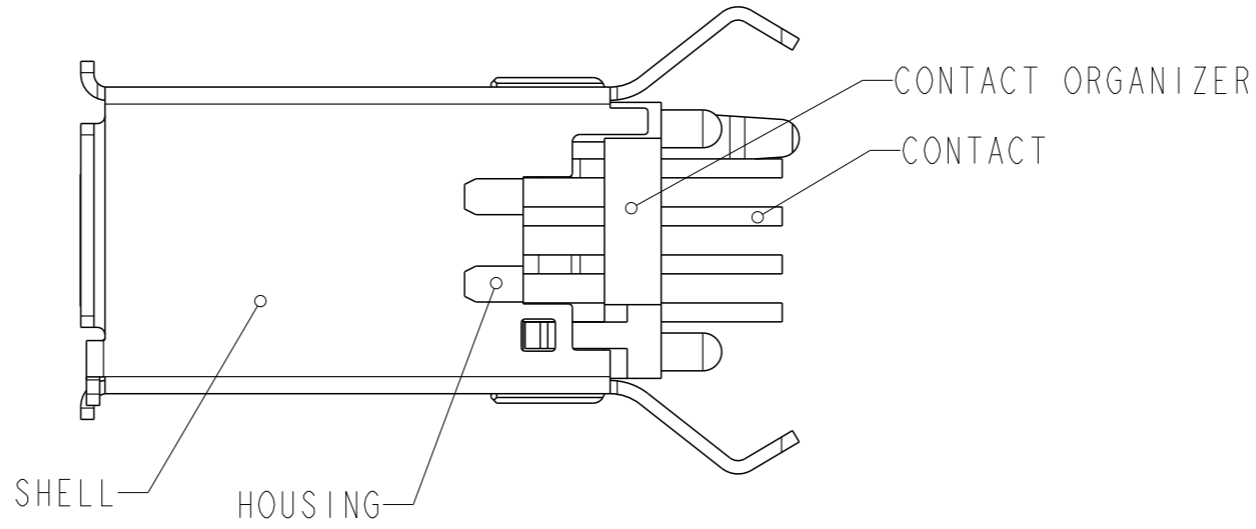


10137849-0010LF
TYPE I

CIRCUIT NO.



CIRCUIT NO.



spec ref	GS-12-1346	dr	A P Sawanth	2016/09/07
tolerance std	ISO 406 ISO 1101	eng	Mike Zhou	2017/11/13
	TOLERANCES UNLESS OTHERWISE SPECIFIED	chr	-	-
		appr	Tim Yao	2017/11/13
surface	linear	0.X	±0.3	
		0.XX	±-	
		0.XXX	±-	
ISO 1302	angular	0°	±5°	

projection	mm	size	A3	scale	5:1
product family		ecn no	ELX-N-28452-1	rel level	Released
Amphenol FCI	THR VERTICAL MINI I/O RECEPTACLE	dwg no	10137849	rev	B
cat. no.		Product - Customer Drw		sheet 2 of 2	

Amphenol FCI

© 2016 AFCI