

VS-SCRJ-POF-FA-IP67 - FO connectors



1657009

<https://www.phoenixcontact.com/us/products/1657009>

Please be informed that the data shown in this PDF document is generated from our Online Catalog. Please find the complete data in the user documentation. Our General Terms of Use for Downloads are valid.



FO connectors, degree of protection: IP67, number of positions: 2, MM, material: Plastic, cable outlet: straight, color: gray

Commercial Data

Item number	1657009
Packing unit	1 pc
Minimum order quantity	1 pc
Sales Key	AB12
Product Key	ABNDBA
Catalog Page	Page 354 (C-2-2019)
GTIN	4046356081382
Weight per Piece (including packing)	39.6 g
Weight per Piece (excluding packing)	35.4 g
Customs tariff number	85367000
Country of origin	DE

VS-SCRJ-POF-FA-IP67 - FO connectors

1657009

<https://www.phoenixcontact.com/us/products/1657009>

Technical Data

Product properties

Type	SC-RJ
Product type	Fiber optic connector (cable side)
Number of positions	2
Connection profile	SCRJ
Application	neutral
Type	SC-RJ
Locking type	Snap-in locking
Cable outlet	straight

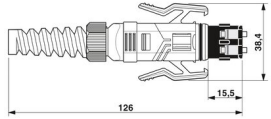
Insulation characteristics

Overvoltage category	I
Degree of pollution	2

Electrical properties

Attenuation	≤ 1.5 dB (Insertion attenuation)
Transmission medium	FO

Dimensions

Dimensional drawing	
Width	38.4 mm
Height	22.8 mm
Length	125 mm

Mechanical characteristics

Ferrule diameter	2.50 mm
------------------	---------

Material specifications

Color	gray
Material	Plastic
Flammability rating according to UL 94	V0
Ferrule material	Copper alloy
Cable seal material	NBR
O-ring material	FPM
Housing material	Plastic

Cable/line

External cable diameter	5 mm ... 8.5 mm
-------------------------	-----------------

VS-SCRJ-POF-FA-IP67 - FO connectors



1657009

<https://www.phoenixcontact.com/us/products/1657009>

Wire diameter	2.2 mm
FO cable	
Fiber type	POF fiber A4A

Mechanical properties

Mechanical data

Insertion/withdrawal cycles	≥ 1000
-----------------------------	--------

Characteristics

Attenuation	≤ 1.5 dB (Insertion attenuation)
-------------	----------------------------------

Environmental and real-life conditions

Ambient conditions

Degree of protection	IP67
Ambient temperature (operation)	-20 °C ... 70 °C

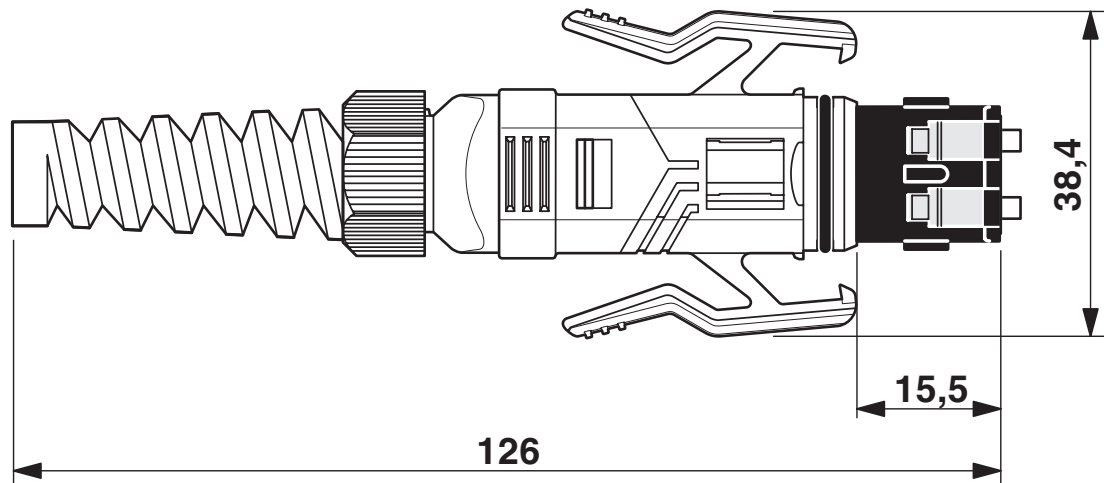
VS-SCRJ-POF-FA-IP67 - FO connectors

1657009

<https://www.phoenixcontact.com/us/products/1657009>

Drawings

Dimensional drawing



SC-RJ connector IP67

VS-SCRJ-POF-FA-IP67 - FO connectors



1657009

<https://www.phoenixcontact.com/us/products/1657009>

Approvals



EAC

Approval ID: B.01687



UL Listed

Approval ID: E308814-20070105

VS-SCRJ-POF-FA-IP67 - FO connectors



1657009

<https://www.phoenixcontact.com/us/products/1657009>

Classifications

ECLASS

ECLASS-11.0	19170122
ECLASS-12.0	19170122
ECLASS-13.0	19170122

ETIM

ETIM 8.0	EC001122
----------	----------

UNSPSC

UNSPSC 21.0	43223300
-------------	----------

VS-SCRJ-POF-FA-IP67 - FO connectors



1657009

<https://www.phoenixcontact.com/us/products/1657009>

Environmental Product Compliance

China RoHS	Environmentally friendly use period: unlimited = EFUP-e
	No hazardous substances above threshold values

VS-SCRJ-POF-FA-IP67 - FO connectors



1657009

<https://www.phoenixcontact.com/us/products/1657009>

Accessories

VS-SCRJ-POF-POLISH - FO accessories

1656673

<https://www.phoenixcontact.com/us/products/1656673>

Refilling set for VS-SC-RJ-POF-KONFTOOL-POLISH, consisting of two polishing discs and a polisher



VS-SCRJ-PC - Protective cover

1653757

<https://www.phoenixcontact.com/us/products/1653757>

IP67 protective cover, for covering the male inserts in the sleeve housings IP67, VS-SC-RJ-..., VS-04-..., VS-06-... and VS-08-...



VS-SCRJ-POF-FA-IP67 - FO connectors



1657009

<https://www.phoenixcontact.com/us/products/1657009>

PSM-FO-STRIP - Stripping tool

2744199

<https://www.phoenixcontact.com/us/products/2744199>



Stripping pliers for transmitting individual elements of the fiber optic cable. Especially suited for all polymer and PCF cables. Special mechanics and precise blade form avoid damage to the fiber optic fibers. Dimensions: (L x W x H) 160 x 130 x 36 mm.

TF-SCRJ-POF KONF SET - Tool set

1405246

<https://www.phoenixcontact.com/us/products/1405246>



SC-RJ cutting tool set, for polymer fiber, for field assembly of SC-RJ/IP20 and SC-RJ/IP67 push/pull connectors with fast connection technology, consisting of stripping tool, aramid scissors, SC-RJ cutting tool, microscope

Phoenix Contact 2023 © - all rights reserved
<https://www.phoenixcontact.com>

Phoenix Contact USA
586 Fulling Mill Road
Middletown, PA 17057, United States
(+717) 944-1300
info@phoenixcon.com