

SF-20KS023 - Crimp contact



1621578

<https://www.phoenixcontact.com/us/products/1621578>

Please be informed that the data shown in this PDF document is generated from our Online Catalog. Please find the complete data in the user documentation. Our General Terms of Use for Downloads are valid.



Crimp contact, turned, contact diameter: 2 mm, crimp range: 2.5 mm² ... 4 mm², Alternative product in accordance with RoHS II without Exemption 6c (Pb <0.1%) item no.: 1244462

Your advantages

- Crimping connection: vibration- and temperature-resistant assembly
- High tensile strength of the connection
- Low contact resistance
- Easy production monitoring

Commercial Data

Item number	1621578
Packing unit	1 pc
Minimum order quantity	50 pc
Sales Key	AB38
Product Key	ABREBD
Catalog Page	Page 121 (C-2-2019)
GTIN	4046356937245
Weight per Piece (including packing)	1.11 g
Weight per Piece (excluding packing)	1.046 g
Customs tariff number	85366990
Country of origin	DE

SF-20KS023 - Crimp contact



1621578

<https://www.phoenixcontact.com/us/products/1621578>

Technical Data

Product properties

Product type	Crimp contact
Contact type	turned
Series	SF

Connection data

Connection method	Crimp connection
Type of contact	Socket

Material specifications

Contact surface	Nickel-plated (Ni), with gold coating (Au)
Contact material	CuZn

Dimensions

Mechanical characteristics

Contact diameter	2 mm
------------------	------

Electrical properties

Contact

Contact diameter	2 mm
Min. cross section	2.5 mm ²
Max. cross section	4 mm ²

Mechanical properties

Mechanical data

Insertion/withdrawal cycles	100
-----------------------------	-----

SF-20KS023 - Crimp contact

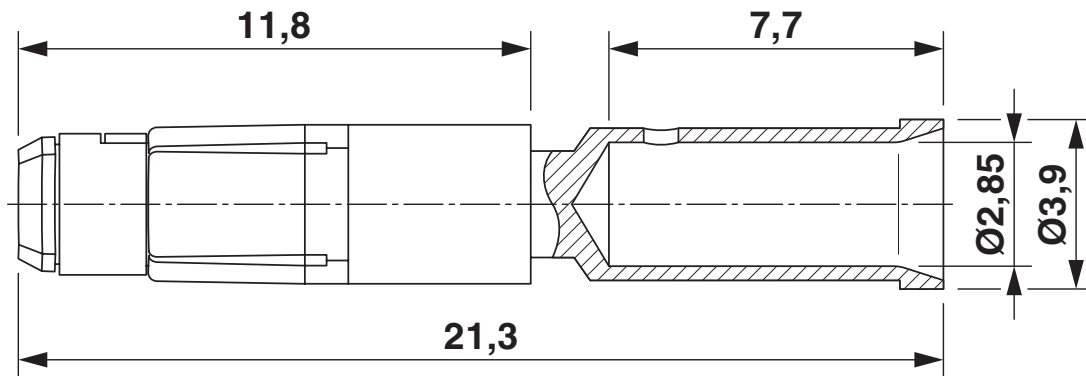


1621578

<https://www.phoenixcontact.com/us/products/1621578>

Drawings

Dimensional drawing



Dimensional drawing

SF-20KS023 - Crimp contact



1621578

<https://www.phoenixcontact.com/us/products/1621578>

Classifications

ECLASS

ECLASS-11.0	27440204
ECLASS-12.0	27440204
ECLASS-13.0	27440204

ETIM

ETIM 8.0	EC000796
----------	----------

UNSPSC

UNSPSC 21.0	39121500
-------------	----------

SF-20KS023 - Crimp contact

1621578

<https://www.phoenixcontact.com/us/products/1621578>



Environmental Product Compliance

REACH SVHC	Lead 7439-92-1
China RoHS	Environmentally Friendly Use Period = 50 years
	For information on hazardous substances, refer to the manufacturer's declaration available under "Downloads"

SF-20KS023 - Crimp contact

1621578

<https://www.phoenixcontact.com/us/products/1621578>



Accessories

SF-Z0025 - Crimping pliers with digital display

1607452

<https://www.phoenixcontact.com/us/products/1607452>



Crimping pliers for turned crimp contacts \varnothing 1.0 mm / \varnothing 1.6 mm / \varnothing 2 mm / \varnothing 3.6 mm, litz wire cross section of 0.08 mm² ... 6 mm²

Phoenix Contact 2023 © - all rights reserved
<https://www.phoenixcontact.com>

Phoenix Contact USA
586 Fulling Mill Road
Middletown, PA 17057, United States
(+717) 944-1300
info@phoenixcon.com