

SACC-E-M12MS-12CON-M16/0,5 VA - Device connector front mounting



1405238

<https://www.phoenixcontact.com/us/products/1405238>

Please be informed that the data shown in this PDF document is generated from our Online Catalog. Please find the complete data in the user documentation. Our General Terms of Use for Downloads are valid.



Device connector front mounting, Universal, 12-position, Flush-type male connector, straight, M12-Standard, coding: A , on free cable end, Front mounting, M16 x 1.5, Individual wires, cable length: 0.5 m, 0.14 mm², TPE litz wire, Alternative product in accordance with RoHS II without Exemption 6c (Pb <0.1%) item no.: 1238714

Your advantages

- Pre-assembled with litz wires for immediate use
- Customer-specific assemblies and litz wire lengths available
- Sealed on the litz wire side for optimum leak-tightness
- All standard pin assignments and codings for signal, data, and power transmission with a uniform design-in design
- For high transmission safety: shield connection to the housing with optional EMC nut

Commercial Data

Item number	1405238
Packing unit	1 pc
Minimum order quantity	1 pc
Sales Key	AB26
Product Key	ABQCFA
GTIN	4046356748094
Weight per Piece (including packing)	27.3 g
Weight per Piece (excluding packing)	26.6 g
Customs tariff number	85444290
Country of origin	DE

SACC-E-M12MS-12CON-M16/0,5 VA - Device connector front mounting



1405238

<https://www.phoenixcontact.com/us/products/1405238>

Technical Data

Notes

Notes on operation	The electrical and mechanical data specified assume that the connector pair is correctly locked and mounted. If the connector is unlocked and if there is a danger of contamination, the connector must be sealed using a protective cap > IP54. Influences arising from litz wires, cables or PCB assembly must also be taken into consideration.
--------------------	--

Mounting

Mounting type	Front mounting M16 x 1.5
---------------	--------------------------

Product properties

Product type	Circular connectors (device side)
Number of positions	12
No. of cable outlets	1
Shielded	no
Coding	A
Thread type	M12

Insulation characteristics

Overvoltage category	II
Degree of pollution	3

Material specifications

Flammability rating according to UL 94	V0
Seal material	FKM
Contact material	CuZn
Contact surface material	Ni/Au
Contact carrier material	PA 6.6
Material for screw connection	Stainless steel

Electrical properties

Rated surge voltage	0.8 kV
Contact resistance	$\leq 3 \text{ m}\Omega$
Insulation resistance	$\geq 100 \text{ M}\Omega$
Nominal voltage U_N	30 V (AC)
	30 V (DC)
Nominal current I_N	1.5 A

Connection data

Conductor connection

Connection method	Individual wires
-------------------	------------------

SACC-E-M12MS-12CON-M16/0,5 VA - Device connector front mounting



1405238

<https://www.phoenixcontact.com/us/products/1405238>

Type of contact	Crimp contacts
Conductor cross section	0.14 mm ²
Tightening torque	3 Nm
	4 Nm

Connector

Connection 1

Head design	Flush-type male connector
Head cable outlet	straight
Head thread type	M12
Head locking type	Standard
Coding	A

Connection 2

Head design	free cable end
-------------	----------------

Cable/line

Cable length	0.5 m
Shielded	no
Cable type	TPE litz wire
Signal type/category	Universal
Conductor material	Tin-plated Cu litz wires
Conductor structure signal line	7x 0.16 mm
AWG signal line	26
Conductor cross section	0.14 mm ²
Material wire insulation	TPE
Thickness, insulation	0.21 mm (Core insulation)
Wire diameter incl. insulation	1.1 mm ±0.05 mm
Single wire, color	Brown, blue, white, green, pink, yellow, black, gray, red, violet, gray/pink, red/blue
Nominal voltage, cable	300 V
Test voltage, cable	2000 V AC
Cable resistance	≤ 142 Ω/km
Cable insulation resistance	≥ 20 MΩ*km
Ambient temperature (operation)	-25 °C ... 85 °C (Cable, flexible installation)
	-40 °C ... 85 °C (cable, fixed installation)

Environmental and real-life conditions

Ambient conditions

Degree of protection	IP65/IP67/IP69/IP69K
	IP65/IP67/IP69K
Ambient temperature (operation)	-25 °C ... 85 °C (Plug / socket)
	-40 °C ... 85 °C (without mechanical actuation)

SACC-E-M12MS-12CON-M16/0,5 VA - Device connector front mounting



1405238

<https://www.phoenixcontact.com/us/products/1405238>

	-25 °C ... 85 °C (Cable, flexible installation)
	-40 °C ... 85 °C (cable, fixed installation)

Standards and regulations

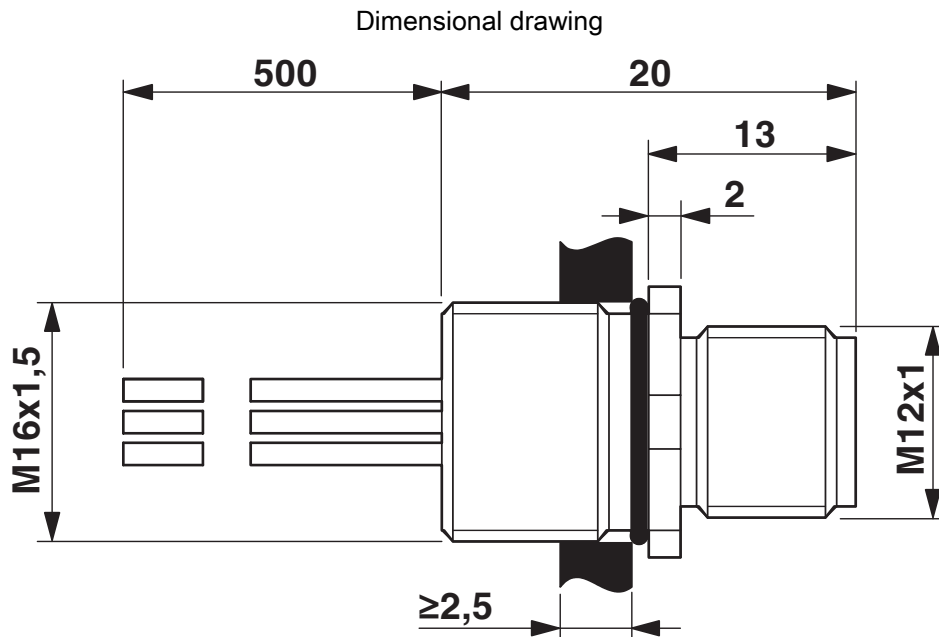
Standards/specifications	IEC 61076-2-101
--------------------------	-----------------

SACC-E-M12MS-12CON-M16/0,5 VA - Device connector front mounting

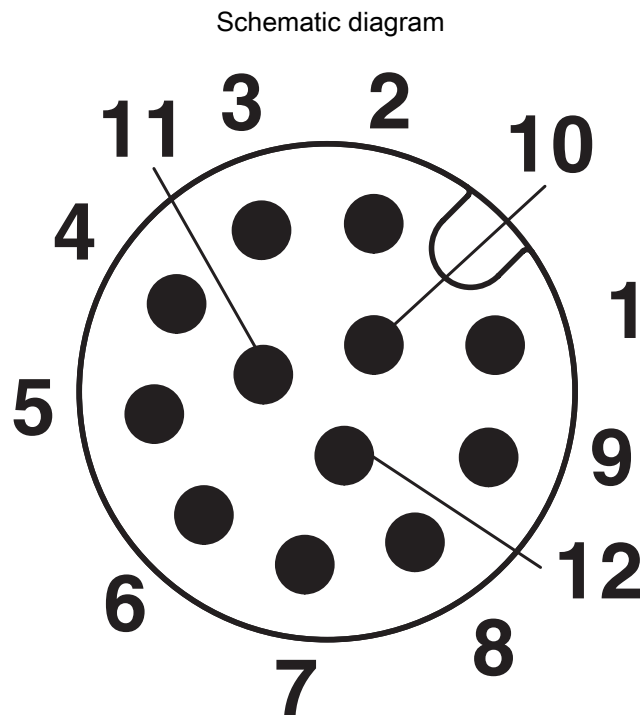
1405238

<https://www.phoenixcontact.com/us/products/1405238>

Drawings



Dimensional drawing



Pin assignment M12 male connector, 12-pos., male side view

SACC-E-M12MS-12CON-M16/0,5 VA - Device connector front mounting

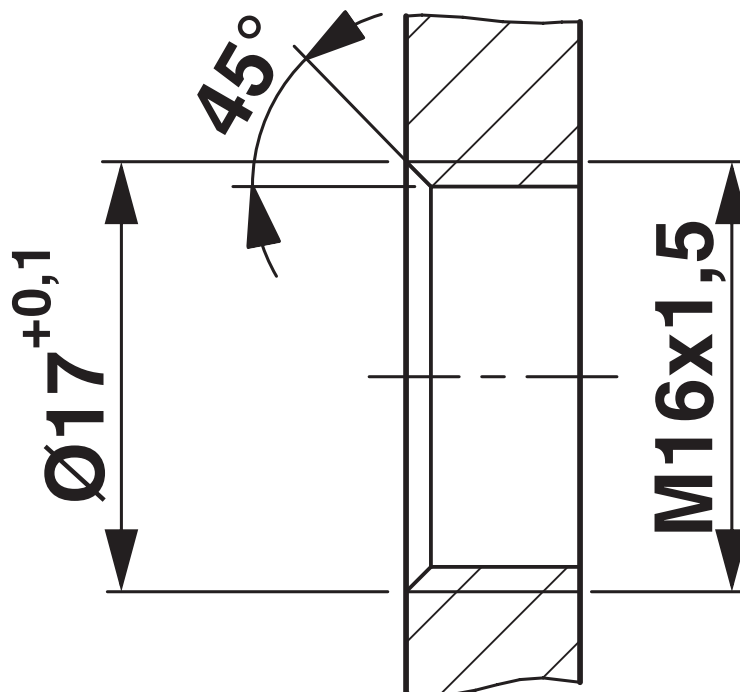
1405238

<https://www.phoenixcontact.com/us/products/1405238>

Circuit diagram



Dimensional drawing



Housing cutout for M16 fastening thread, mounting panel with thread

SACC-E-M12MS-12CON-M16/0,5 VA - Device connector front mounting



1405238

<https://www.phoenixcontact.com/us/products/1405238>

Approvals



EAC

Approval ID: B.01687



cULus Recognized

Approval ID: E221474-20140616

	Nominal Voltage U_N	Nominal Current I_N	Cross Section AWG	Cross Section mm^2
	30 V	1.5 A	- 26	-



UL Recognized

Approval ID: E118976-20100522

	Nominal Voltage U_N	Nominal Current I_N	Cross Section AWG	Cross Section mm^2
	30 V	1.5 A	- 26	-

SACC-E-M12MS-12CON-M16/0,5 VA - Device connector front mounting



1405238

<https://www.phoenixcontact.com/us/products/1405238>

Classifications

ECLASS

ECLASS-11.0	27440102
ECLASS-12.0	27440116
ECLASS-13.0	27440116

ETIM

ETIM 8.0	EC002635
----------	----------

UNSPSC

UNSPSC 21.0	39121400
-------------	----------

SACC-E-M12MS-12CON-M16/0,5 VA - Device connector front mounting



1405238

<https://www.phoenixcontact.com/us/products/1405238>

Environmental Product Compliance

REACH SVHC	Lead 7439-92-1
China RoHS	Environmentally Friendly Use Period = 50 years
	For information on hazardous substances, refer to the manufacturer's declaration available under "Downloads"

SACC-E-M12MS-12CON-M16/0,5 VA - Device connector front mounting



1405238

<https://www.phoenixcontact.com/us/products/1405238>

Accessories

SACC-M16-SEAL CLM - Flat gasket

1430394

<https://www.phoenixcontact.com/us/products/1430394>

M16 flat gasket for M12 flush-type connectors with M16 fastening thread



PROT-M12 FS - Sealing cap

1560251

<https://www.phoenixcontact.com/us/products/1560251>

M12 sealing cap for unoccupied M12 plugs of the sensor/actuator cable, flush-type plugs and I/O devices in the field



SACC-E-M12MS-12CON-M16/0,5 VA - Device connector front mounting



1405238

<https://www.phoenixcontact.com/us/products/1405238>

PROT-M12 FS-M - Sealing cap

1430488

<https://www.phoenixcontact.com/us/products/1430488>



M12 metal sealing cap for unoccupied M12 plugs of the sensor/actuator cable, flush-type plugs and I/O devices in the field

SACC-M16-NUT-VA - Flat nut

1404983

<https://www.phoenixcontact.com/us/products/1404983>

Flat nut with M16 thread



Phoenix Contact 2023 © - all rights reserved

<https://www.phoenixcontact.com>

Phoenix Contact USA
586 Fulling Mill Road
Middletown, PA 17057, United States
(+717) 944-1300
info@phoenixcon.com