

VS-M12MS-IP20-94B-LI/3,0 - Network cable



1403492

<https://www.phoenixcontact.com/us/products/1403492>

Please be informed that the data shown in this PDF document is generated from our Online Catalog. Please find the complete data in the user documentation. Our General Terms of Use for Downloads are valid.



Network cable, Ethernet CAT5 (1 Gbps), 8-position, Plug straight M12, coding: A / IP67, on Plug straight RJ45 / IP20, cable length: 3 m

Commercial Data

Item number	1403492
Packing unit	1 pc
Minimum order quantity	1 pc
Sales Key	BF04
Product Key	BF1CMI
GTIN	4046356656122
Weight per Piece (including packing)	172 g
Weight per Piece (excluding packing)	159.7 g
Customs tariff number	85444290
Country of origin	PL

1403492

<https://www.phoenixcontact.com/us/products/1403492>

Technical Data

Product properties

Product type	Data cable preassembled
Number of positions	8
Application	Standard
No. of cable outlets	1
Shielded	yes

Insulation characteristics

Degree of pollution	3
---------------------	---

Interfaces

Signal type/category	Ethernet CAT5 (on the basis of IEC 11801), 1 Gbps
----------------------	---

Electrical properties

Nominal voltage U_N	30 V AC
	30 V DC
Transmission medium	Copper

Mechanical properties

Mechanical data

Insertion/withdrawal cycles	≥ 100
-----------------------------	------------

Material specifications

Flammability rating according to UL 94	HB
--	----

Connector

Connection 1

Type	Plug straight M12 / IP67
Coding type	A (Standard)
Handle color	black
Degree of protection	IP67

Connection 2

Type	Plug straight RJ45 / IP20
Handle color	gray

Cable/line

Cable length	3 m
--------------	-----


Ethernet flexible CAT5, 4-pair [94B]

VS-M12MS-IP20-94B-LI/3,0 - Network cable



1403492

<https://www.phoenixcontact.com/us/products/1403492>

Dimensional drawing	
Cable weight	47 kg/km
UL AWM Style	20963 (80°C/30 V)
Number of positions	8
Shielded	yes
Cable type	Ethernet flexible CAT5, 4-pair [94B]
Conductor structure	4x2xAWG26/7; SF/UTP
Signal runtime	5.3 ns/m
Conductor structure signal line	7x 0.16 mm
AWG signal line	26
Conductor cross section	4x 2x 0.14 mm ²
Wire diameter incl. insulation	0.96 mm
External cable diameter	6.4 mm ±0.2 mm
Outer sheath, material	PUR
External sheath, color	water blue RAL 5021
Conductor material	Bare Cu litz wires
Material wire insulation	Foamed PE
Single wire, color	white/blue-blue, white/orange-orange, white/green-green, white/brown-brown
Thickness, outer sheath	1.05 mm
Twisted pairs	2 cores to the pair
Overall twist	4 pairs for core
Optical shield covering	70 %
Insulation resistance	≥ 5 GΩ*km
Coupling resistance	≤ 100.00 mΩ/m (at 10 MHz)
Loop resistance	≤ 290.00 Ω/km
Wave impedance	100 Ω ±5 Ω (at 100 MHz)
Cable capacity	48 nF/km (at 1 kHz)
Nominal voltage, cable	≤ 100 V
Test voltage Core/Core	700 V (50 Hz, 1 min.)
Test voltage Core/Shield	700 V (50 Hz, 1 min.)
Minimum bending radius, fixed installation	4 x D
Minimum bending radius, flexible installation	8 x D
Tensile strength	≤ 100 N
Near end crosstalk attenuation (NEXT)	71.3 dB (with 1 MHz) 62.3 dB (at 4 MHz) 56.3 dB (at 10 MHz)

VS-M12MS-IP20-94B-LI/3,0 - Network cable



1403492

<https://www.phoenixcontact.com/us/products/1403492>

	53.2 dB (at 16 MHz)
	51.8 dB (at 20 MHz)
	48.9 dB (at 31.25 MHz)
	44.4 dB (at 62.5 MHz)
	41.3 dB (at 100 MHz)
Power-summed near end crosstalk attenuation (PSNEXT)	62.3 dB (with 1 MHz)
	53.3 dB (at 4 MHz)
	47.3 dB (at 10 MHz)
	44.2 dB (at 16 MHz)
	42.8 dB (at 20 MHz)
	39.9 dB (at 31.25 MHz)
	35.4 dB (at 62.5 MHz)
	32.3 dB (at 100 MHz)
Return loss (RL)	23 dB (at 4 MHz)
	24.1 dB (at 8 MHz)
	25 dB (at 10 MHz)
	25 dB (at 16 MHz)
	25 dB (at 20 MHz)
	23.6 dB (at 31.25 MHz)
	21.5 dB (at 62.5 MHz)
	20.1 dB (at 100 MHz)
Shield attenuation	3.2 dB (with 1 MHz)
	6 dB (at 4 MHz)
	9.5 dB (at 10 MHz)
	12.1 dB (at 16 MHz)
	13.6 dB (at 20 MHz)
	17.1 dB (at 31.25 MHz)
	24.8 dB (at 62.5 MHz)
	32 dB (at 100 MHz)
Halogen-free	according to IEC 60754-1
Flame resistance	according to IEC 60332-1-2
Resistance to oil	in accordance with EN 60811-2-1
Ambient temperature (operation)	-40 °C ... 80 °C (cable, fixed installation)
	-20 °C ... 80 °C (Cable, flexible installation)
Ambient temperature (installation)	-20 °C ... 80 °C

Environmental and real-life conditions

Ambient conditions

Degree of protection	IP65 (M12 connector)
	IP20 (RJ45 connector)
Ambient temperature (operation)	-25 °C ... 60 °C (cable, fixed installation)
	-5 °C ... 60 °C (Cable, flexible installation)

VS-M12MS-IP20-94B-LI/3,0 - Network cable

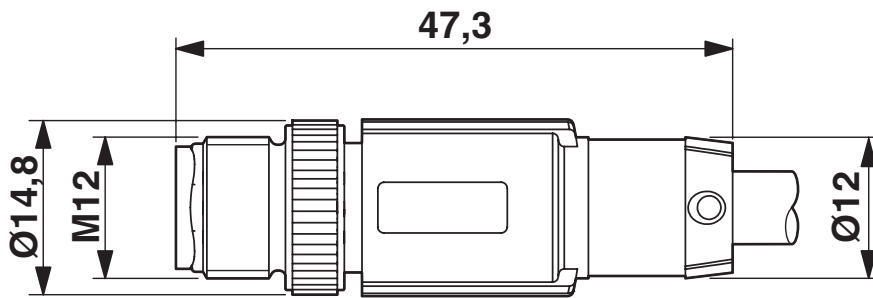


1403492

<https://www.phoenixcontact.com/us/products/1403492>

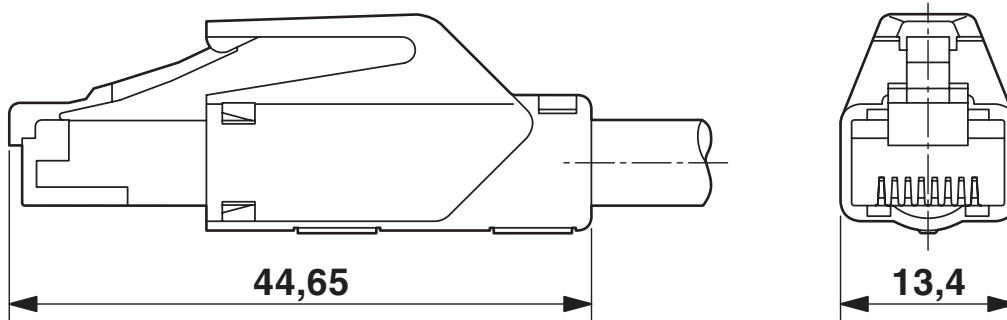
Drawings

Dimensional drawing



Plug, M12 x 1, straight, shielded

Dimensional drawing



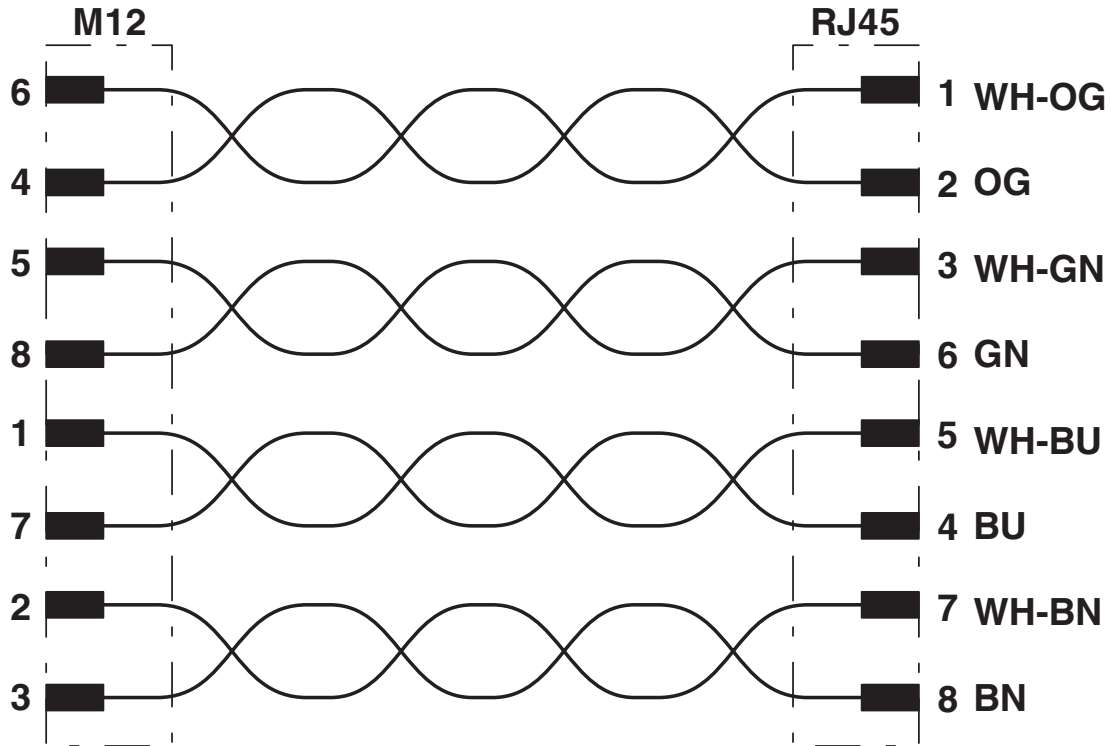
VS-M12MS-IP20-94B-LI/3,0 - Network cable



1403492

<https://www.phoenixcontact.com/us/products/1403492>

Circuit diagram



VS-M12MS-IP20-94B-LI/3,0 - Network cable



1403492

<https://www.phoenixcontact.com/us/products/1403492>

Approvals



EAC

Approval ID: RU D-DE.HB35.B.00385

VS-M12MS-IP20-94B-LI/3,0 - Network cable



1403492

<https://www.phoenixcontact.com/us/products/1403492>

Classifications

ECLASS

ECLASS-11.0	27060307
ECLASS-12.0	27060307
ECLASS-13.0	27060307

ETIM

ETIM 8.0	EC001855
----------	----------

UNSPSC

UNSPSC 21.0	26121600
-------------	----------

VS-M12MS-IP20-94B-LI/3,0 - Network cable



1403492

<https://www.phoenixcontact.com/us/products/1403492>

Environmental Product Compliance

China RoHS	Environmentally friendly use period: unlimited = EFUP-e
	No hazardous substances above threshold values

Phoenix Contact 2023 © - all rights reserved
<https://www.phoenixcontact.com>

Phoenix Contact USA
586 Fulling Mill Road
Middletown, PA 17057, United States
(+717) 944-1300
info@phoenixcon.com