

# TTC-6-FC-UT - Fuse holder

1054762

<https://www.phoenixcontact.com/us/products/1054762>

Please be informed that the data shown in this PDF document is generated from our Online Catalog. Please find the complete data in the user documentation. Our General Terms of Use for Downloads are valid.



Fuse carrier for surge protective devices of the TERMITRAB complete product range with screw connection technology. Multi-level connection on TTC-6 housings possible. For conventional 5x20 mm miniature fuses.

## Commercial Data

Item number	1054762
Packing unit	1 pc
Minimum order quantity	1 pc
Sales Key	CL02
Product Key	CL216Z
Catalog Page	Page 127 (C-4-2019)
GTIN	4055626690896
Weight per Piece (including packing)	8.53 g
Weight per Piece (excluding packing)	4.93 g
Customs tariff number	85363010
Country of origin	DE

# TTC-6-FC-UT - Fuse holder

1054762

<https://www.phoenixcontact.com/us/products/1054762>

## Technical Data

### Product properties

Product type	Fuse module
Product family	TERMITRAB complete

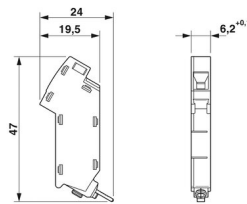
### Insulation characteristics

Overvoltage category	III
Pollution degree	2

### Connection data

Connection method	Screw connection
Screw thread	M3
Tightening torque	0.5 Nm
Conductor cross section flexible	0.2 mm <sup>2</sup> ... 2.5 mm <sup>2</sup>
Conductor cross section rigid	0.2 mm <sup>2</sup> ... 4 mm <sup>2</sup>
Conductor cross section AWG	24 ... 12

### Dimensions

Dimensional drawing	
Width	6.2 mm +0.1 mm
Height	24 mm
Depth	47 mm

### Material specifications

Color	traffic grey A RAL 7042
Flammability rating according to UL 94	V-0
Housing material	PBT

### Mechanical properties

#### Mechanical data

Open side panel	No
-----------------	----

### Protective circuit

Operating voltage range	60 V DC
Rated current	6.3 A
Surge protection fault message	none

# TTC-6-FC-UT - Fuse holder



1054762

<https://www.phoenixcontact.com/us/products/1054762>

## Environmental and real-life conditions

### Ambient conditions

Degree of protection	IP20
Ambient temperature (operation)	-40 °C ... 85 °C
Ambient temperature (storage/transport)	-40 °C ... 85 °C
Altitude	≤ 4000 m (amsl (above mean sea level))

## Standards and regulations

Standards/specifications	EN 60947-7-3
--------------------------	--------------

## Mounting

Mounting type	Snapping and screwing components onto TERMITRAB complete
---------------	--

# TTC-6-FC-UT - Fuse holder

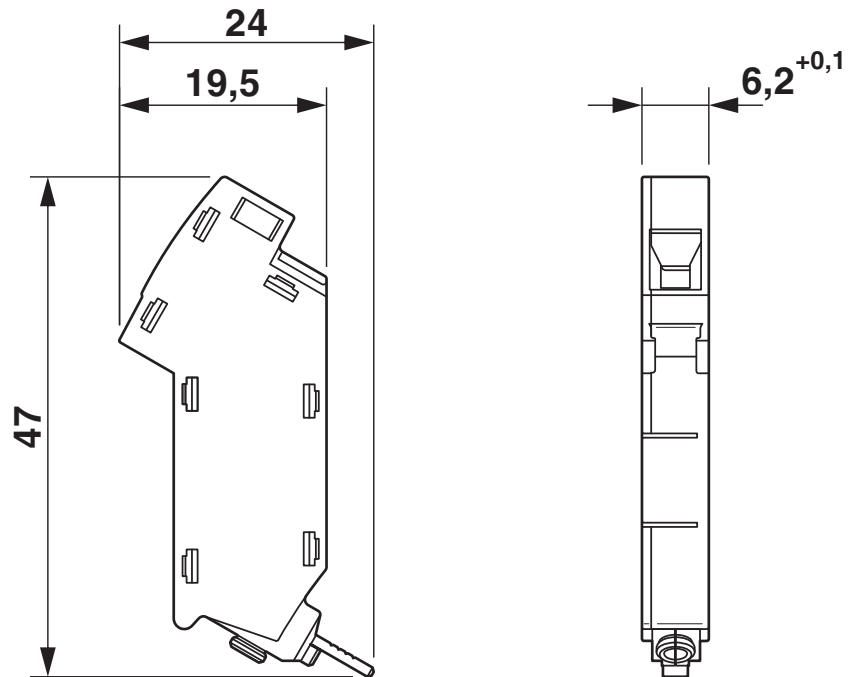
1054762

<https://www.phoenixcontact.com/us/products/1054762>



## Drawings

Dimensional drawing



# TTC-6-FC-UT - Fuse holder

1054762

<https://www.phoenixcontact.com/us/products/1054762>



## Approvals



**UL Listed**

Approval ID: FILE E 138168



**DNV GL**

Approval ID: TAE000027G



**UL Listed**

Approval ID: FILE E 333250

# TTC-6-FC-UT - Fuse holder

1054762

<https://www.phoenixcontact.com/us/products/1054762>



## Classifications

### ECLASS

ECLASS-11.0

27130890

### ETIM

ETIM 8.0

EC002496

### UNSPSC

UNSPSC 21.0

39121600

# TTC-6-FC-UT - Fuse holder

1054762

<https://www.phoenixcontact.com/us/products/1054762>



## Environmental Product Compliance

China RoHS	Environmentally friendly use period: unlimited = EFUP-e
	No hazardous substances above threshold values

Phoenix Contact 2023 © - all rights reserved  
<https://www.phoenixcontact.com>

Phoenix Contact USA  
586 Fulling Mill Road  
Middletown, PA 17057, United States  
(+717) 944-1300  
[info@phoenixcon.com](mailto:info@phoenixcon.com)