

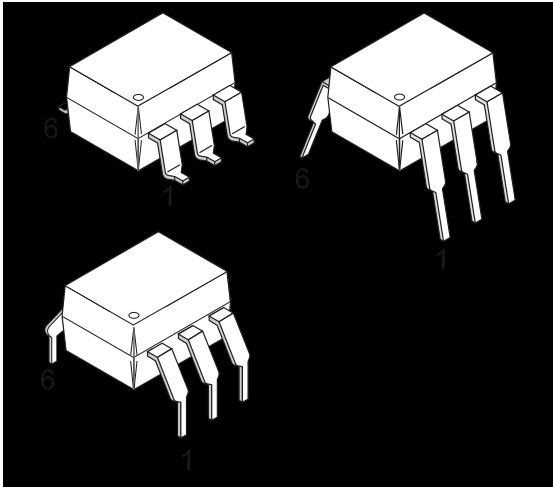
# 6-PIN DIP ZERO-CROSS OPTOISOLATORS TRIAC DRIVER OUTPUT (800 VOLT PEAK)

MOC3081M

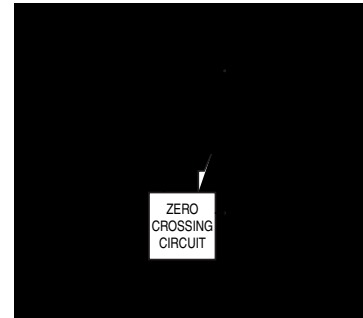
MOC3082M

MOC3083M

## PACKAGE



## SCHEMATIC



## DESCRIPTION

The MOC3081M, MOC3082M and MOC3083M devices consist of a GaAs infrared emitting diode optically coupled to a monolithic silicon detector performing the function of a zero voltage crossing bilateral triac driver.

They are designed for use with a discrete power triac in the interface of logic systems to equipment powered from 240 VAC lines, such as solid-state relays, industrial controls, motors, solenoids and consumer appliances, etc.

## FEATURES

- Underwriters Laboratories (UL) recognized - file #E90700, Volume 2
- VDE recognized - file #102497 - add option V (e.g., MOC3083VM)
- Simplifies logic control of 240 VAC power
- Zero voltage crossing
- $dv/dt$  of 1500 V/ $\mu s$  typical, 600 V/ $\mu s$  guaranteed
- Compatible with Fairchild's FKPF12N80 discrete power triac

## APPLICATIONS

- Solenoid/valve controls
- Lighting controls
- Static power switches
- AC motor drives
- Temperature controls
- E.M. contactors
- AC motor starters
- Solid state relays

**6-PIN DIP ZERO-CROSS  
OPTOISOLATORS TRIAC DRIVER OUTPUT  
(800 VOLT PEAK)**

**MOC3081M**

**MOC3082M**

**MOC3083M**

**ABSOLUTE MAXIMUM RATINGS** ( $T_A = 25^\circ\text{C}$  unless otherwise noted)

Parameters	Symbol	Value	Units
<b>TOTAL DEVICE</b>			
Storage Temperature	$T_{STG}$	-40 to +150	$^\circ\text{C}$
Operating Temperature	$T_{OPR}$	-40 to +85	$^\circ\text{C}$
Lead Solder Temperature	$T_{SOL}$	260 for 10 sec	$^\circ\text{C}$
Junction Temperature Range	$T_J$	-40 to +100	$^\circ\text{C}$
Isolation Surge Voltage <sup>(4)</sup> (peak AC voltage, 60Hz, 1 sec duration)	$V_{ISO}$	7500	Vac(pk)
Total Device Power Dissipation @ 25 $^\circ\text{C}$ Derate above 25 $^\circ\text{C}$	$P_D$	250	mW
		2.94	mW/ $^\circ\text{C}$
<b>EMITTER</b>			
Continuous Forward Current	$I_F$	60	mA
Reverse Voltage	$V_R$	6	V
Total Power Dissipation 25 $^\circ\text{C}$ Ambient Derate above 25 $^\circ\text{C}$	$P_D$	120	mW
		1.41	mW/ $^\circ\text{C}$
<b>DETECTOR</b>			
Off-State Output Terminal Voltage	$V_{DRM}$	800	V
Peak Repetitive Surge Current (PW = 100 $\mu\text{s}$ , 120 pps)	$I_{TSM}$	1	A
Total Power Dissipation @ 25 $^\circ\text{C}$ Ambient Derate above 25 $^\circ\text{C}$	$P_D$	150	mW
		1.76	mW/ $^\circ\text{C}$

# 6-PIN DIP ZERO-CROSS OPTOISOLATORS TRIAC DRIVER OUTPUT (800 VOLT PEAK)

**MOC3081M**

**MOC3082M**

**MOC3083M**

**ELECTRICAL CHARACTERISTICS** ( $T_A = 25^\circ\text{C}$  Unless otherwise specified)

**INDIVIDUAL COMPONENT CHARACTERISTICS**

Parameters	Test Conditions	Symbol	Min	Typ*	Max	Units
<b>EMITTER</b>						
Input Forward Voltage	$I_F = 30\text{ mA}$	$V_F$		1.3	1.5	V
Reverse Leakage Current	$V_R = 6\text{ V}$	$I_R$		0.005	100	$\mu\text{A}$
<b>DETECTOR</b>						
Peak Blocking Current, Either Direction	$V_{\text{DRM}} = 800\text{V}$ , $I_F = 0$ (note 1)	$I_{\text{DRM1}}$		10	500	nA
Critical Rate of Rise of Off-State Voltage	$I_F = 0$ (figure 9, note 3)	dv/dt	600	1500		V/ $\mu\text{s}$

**TRANSFER CHARACTERISTICS** ( $T_A = 25^\circ\text{C}$  Unless otherwise specified.)

DC Characteristics	Test Conditions	Symbol	Device	Min	Typ*	Max	Units
LED Trigger Current	Main Terminal Voltage = 3V (note 2)	$I_{\text{FT}}$	MOC3081M			15	mA
			MOC3082M			10	
			MOC3083M			5	
Peak On-State Voltage, Either Direction	$I_{\text{TM}} = 100\text{ mA peak}$ , $I_F = \text{rated } I_{\text{FT}}$	$V_{\text{TM}}$	All		1.8	3	V
Holding Current, Either Direction		$I_{\text{H}}$	All		500		$\mu\text{A}$

**ZERO CROSSING CHARACTERISTICS** ( $T_A = 25^\circ\text{C}$  Unless otherwise specified.)

DC Characteristics	Test Conditions	Symbol	Device	Min	Typ*	Max	Units
Inhibit Voltage (MT1-MT2 voltage above which device will not trigger)	$I_F = \text{Rated } I_{\text{FT}}$	$V_{\text{INH}}$	All		12	20	V
Leakage in Inhibited State	$I_F = \text{Rated } I_{\text{FT}}$ , $V_{\text{DRM}} = 800\text{V}$ , off state	$I_{\text{DRM2}}$	All		200	500	$\mu\text{A}$

**ISOLATION CHARACTERISTICS**

Characteristics	Test Conditions	Symbol	Min	Typ*	Max	Units
Input-Output Isolation Voltage	$f = 60\text{ Hz}$ , $t = 1\text{ sec}$ (note 4)	$V_{\text{ISO}}$	7500			Vac(pk)

\*Typical values at  $T_A = 25^\circ\text{C}$

**Note**

1. Test voltage must be applied within dv/dt rating.
2. All devices are guaranteed to trigger at an  $I_F$  value less than or equal to max  $I_{\text{FT}}$ . Therefore, recommended operating  $I_F$  lies between max  $I_{\text{FT}}$  (15 mA for MOC3081M, 10 mA for MOC3082M, 5 mA for MOC3083M) and absolute max  $I_F$  (60 mA).
3. This is static dv/dt. See Figure 9 for test circuit. Commutating dv/dt is a function of the load-driving thyristor(s) only.
4. Isolation surge voltage,  $V_{\text{ISO}}$ , is an internal device dielectric breakdown rating. For this test, Pins 1 and 2 are common, and Pins 4, 5 and 6 are common.

# 6-PIN DIP ZERO-CROSS OPTOISOLATORS TRIAC DRIVER OUTPUT (800 VOLT PEAK)

MOC3081M

MOC3082M

MOC3083M

Figure 1. LED Forward Voltage vs. Forward Current

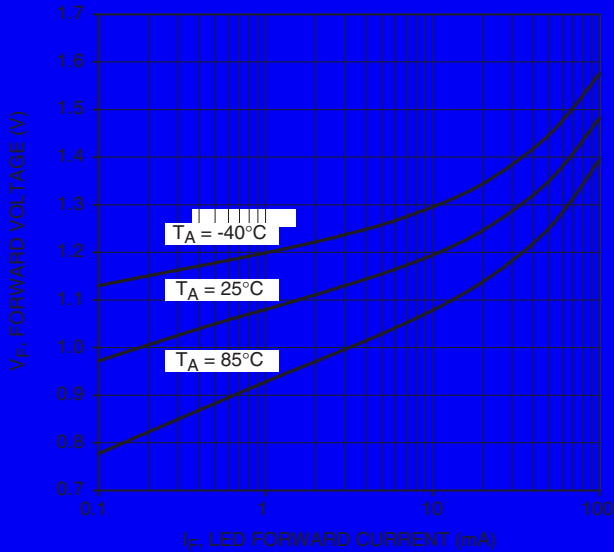


Figure 2. Trigger Current Vs. Temperature

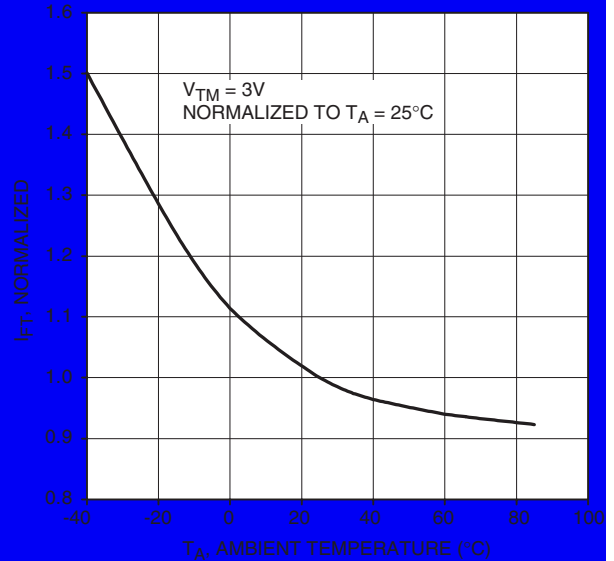


Figure 3. LED Current Required to Trigger vs. LED Pulse Width

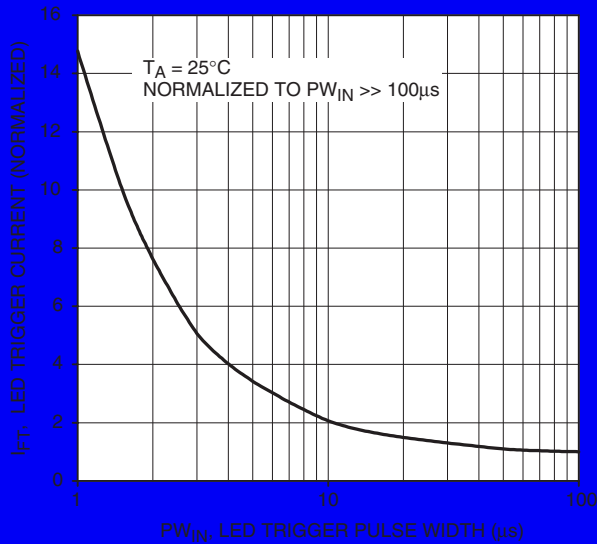
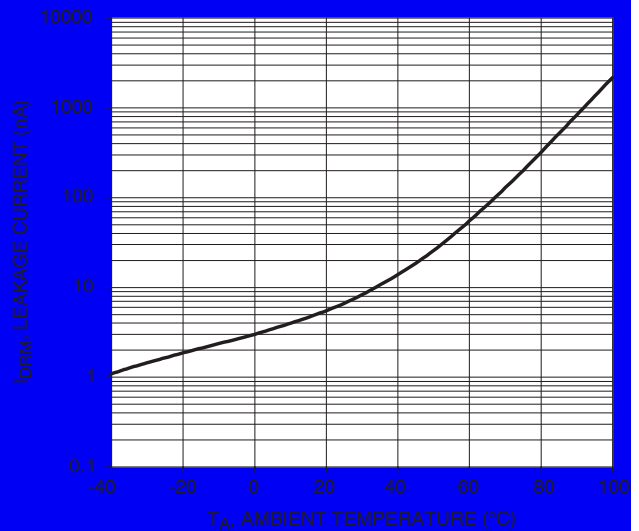


Figure 4. Leakage Current,  $I_{DRM}$  vs. Temperature



# 6-PIN DIP ZERO-CROSS OPTOISOLATORS TRIAC DRIVER OUTPUT (800 VOLT PEAK)

MOC3081M

MOC3082M

MOC3083M

Figure 5.  $I_{DRM2}$ , Leakage in Inhibit State vs. Temperature

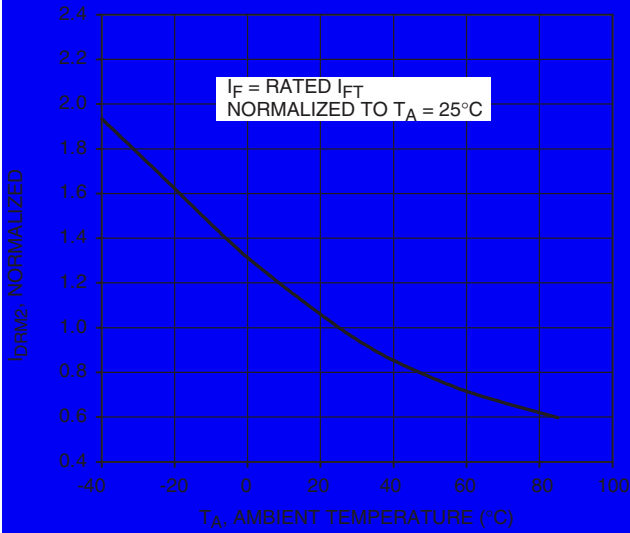


Figure 6. On-State Characteristics

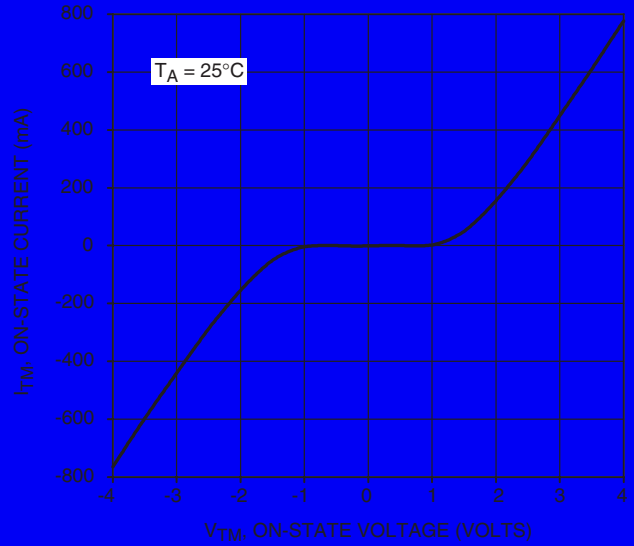


Figure 7.  $I_H$ , Holding Current vs. Temperature

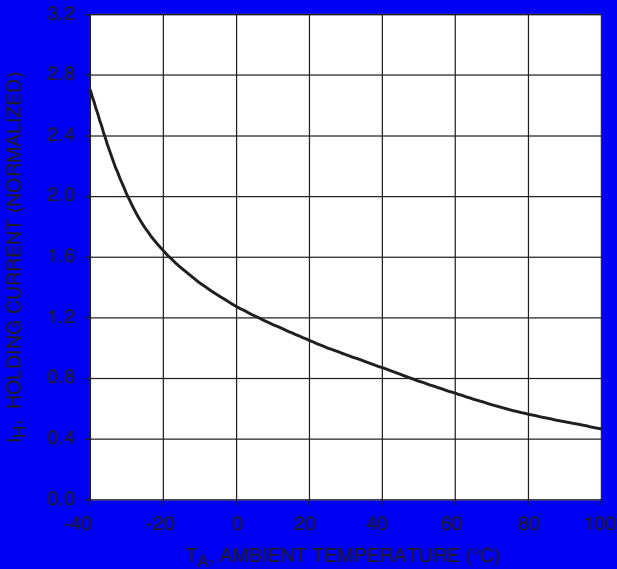
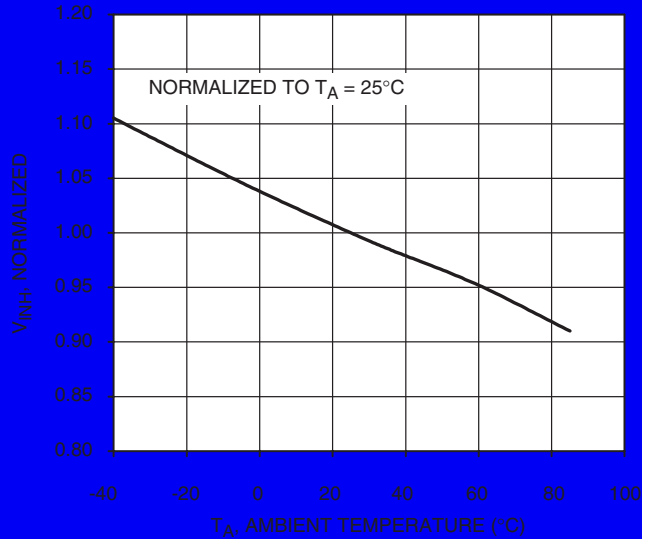


Figure 8. Inhibit Voltage vs. Temperature



# 6-PIN DIP ZERO-CROSS OPTOISOLATORS TRIAC DRIVER OUTPUT (800 VOLT PEAK)

MOC3081M

MOC3082M

MOC3083M

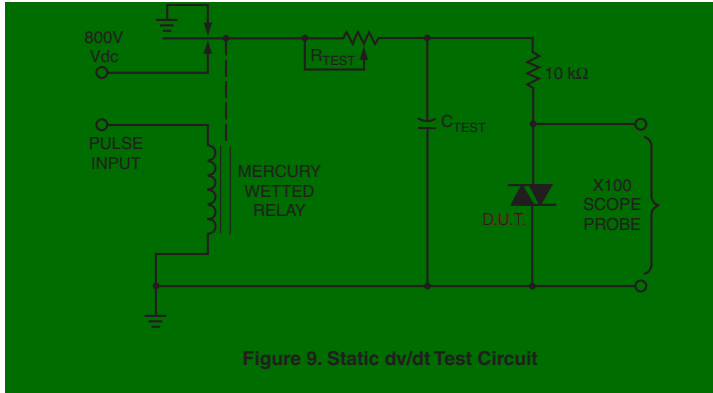


Figure 9. Static dv/dt Test Circuit

1. The mercury wetted relay provides a high speed repeated pulse to the D.U.T.
2. 100x scope probes are used, to allow high speeds and voltages.
3. The worst-case condition for static dv/dt is established by triggering the D.U.T. with a normal LED input current, then removing the current. The variable  $R_{TEST}$  allows the dv/dt to be gradually increased until the D.U.T. continues to trigger in response to the applied voltage pulse, even after the LED current has been removed. The dv/dt is then decreased until the D.U.T. stops triggering.  $\tau_{RC}$  is measured at this point and recorded.

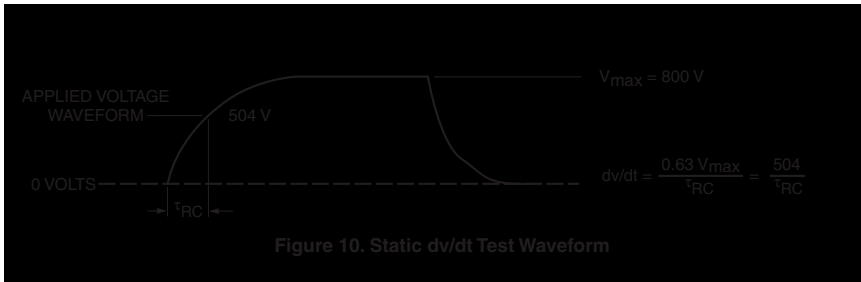


Figure 10. Static dv/dt Test Waveform

Typical circuit for use when hot line switching is required. In this circuit the “hot” side of the line is switched and the load connected to the cold or neutral side. The load may be connected to either the neutral or hot line.

$R_{in}$  is calculated so that  $I_F$  is equal to the rated  $I_{FT}$  of the part, 15 mA for the MOC3081M, 10 mA for the MOC3082M, and 5 mA for the MOC3083M. The 39 ohm resistor and 0.01  $\mu$ F capacitor are for snubbing of the triac and may or may not be necessary depending upon the particular triac and load use.

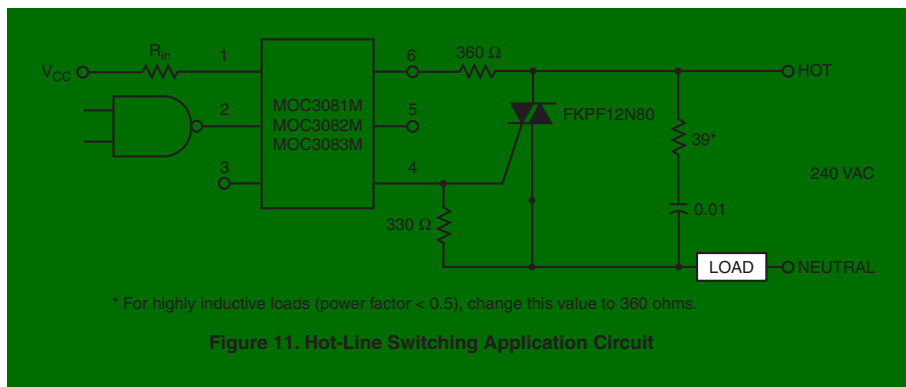


Figure 11. Hot-Line Switching Application Circuit

# 6-PIN DIP ZERO-CROSS OPTOISOLATORS TRIAC DRIVER OUTPUT (800 VOLT PEAK)

MOC3081M

MOC3082M

MOC3083M

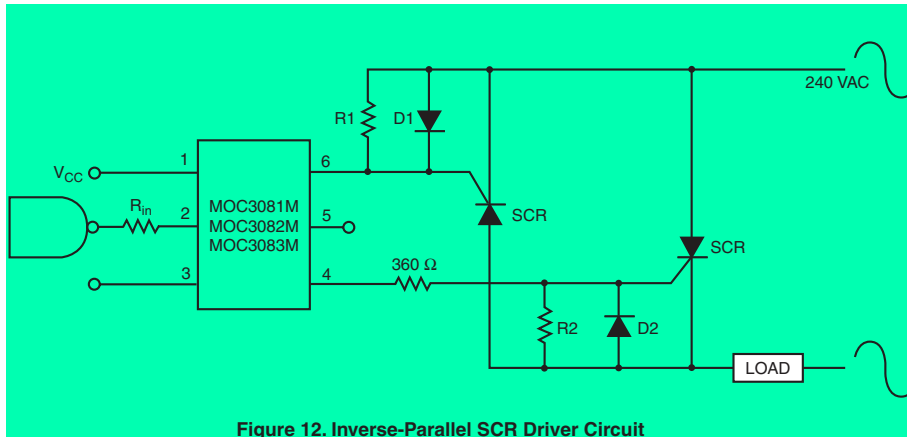


Figure 12. Inverse-Parallel SCR Driver Circuit

Suggested method of firing two, back-to-back SCR's with a Fairchild triac driver. Diodes can be 1N4001; resistors, R1 and R2, are optional 330 ohm.

Note: This optoisolator should not be used to drive a load directly. It is intended to be a trigger device only.

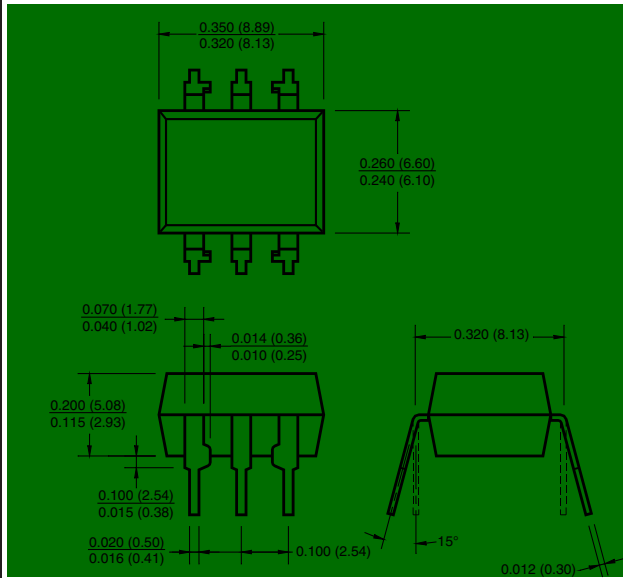
# 6-PIN DIP ZERO-CROSS OPTOISOLATORS TRIAC DRIVER OUTPUT (800 VOLT PEAK)

MOC3081M

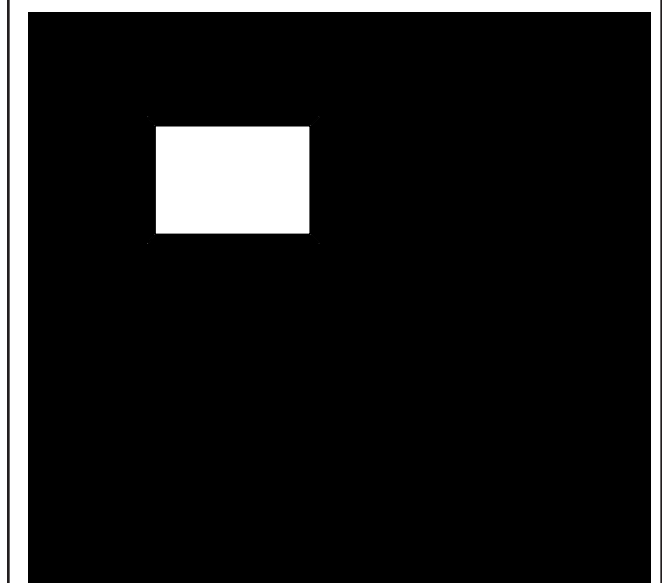
MOC3082M

MOC3083M

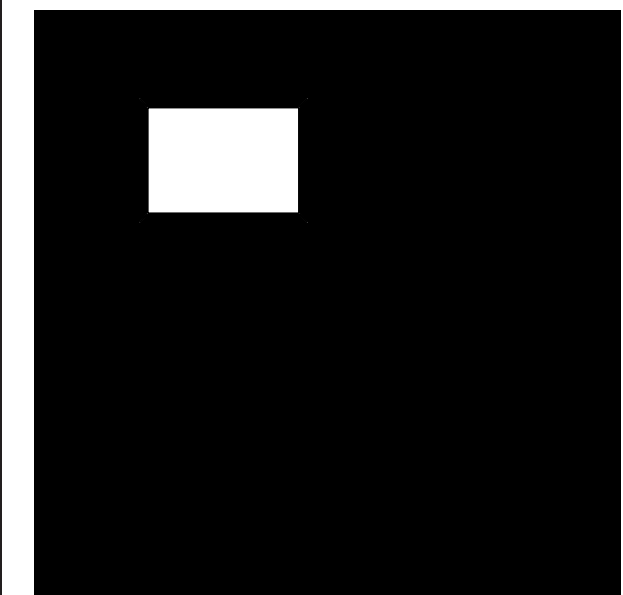
## Package Dimensions (Through Hole)



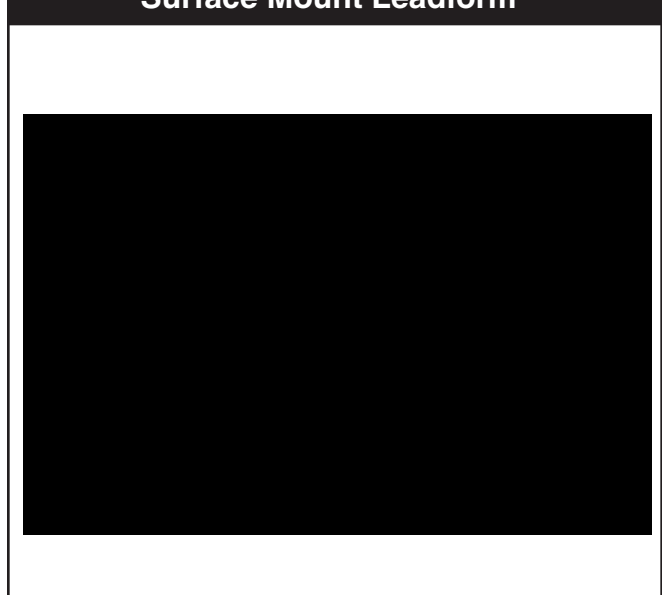
## Package Dimensions (Surface Mount)



## Package Dimensions (0.4" Lead Spacing)



## Recommended Pad Layout for Surface Mount Leadform



**NOTE**

All dimensions are in inches (millimeters)



# 6-PIN DIP ZERO-CROSS OPTOISOLATORS TRIAC DRIVER OUTPUT (800 VOLT PEAK)

**MOC3081M**

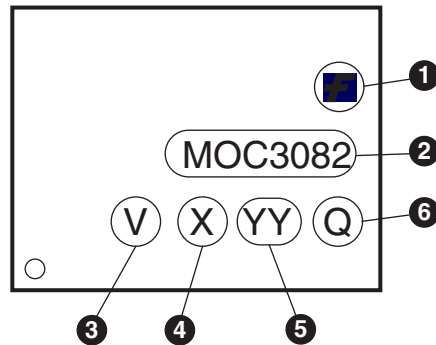
**MOC3082M**

**MOC3083M**

## ORDERING INFORMATION

Order Entry Identifier	Description
S	Surface Mount Lead Bend
SR2	Surface Mount; Tape and reel
T	0.4" Lead Spacing
V	VDE 0884
TV	VDE 0884, 0.4" Lead Spacing
SV	VDE 0884, Surface Mount
SR2V	VDE 0884, Surface Mount, Tape & Reel

## MARKING INFORMATION



Definitions	
1	Fairchild logo
2	Device number
3	VDE mark (Note: Only appears on parts ordered with VDE option – See order entry table)
4	One digit year code, e.g., '3'
5	Two digit work week ranging from '01' to '53'
6	Assembly package code

\*Note – Parts that do not have the 'V' option (see definition 3 above) that are marked with date code '325' or earlier are marked in portrait format.

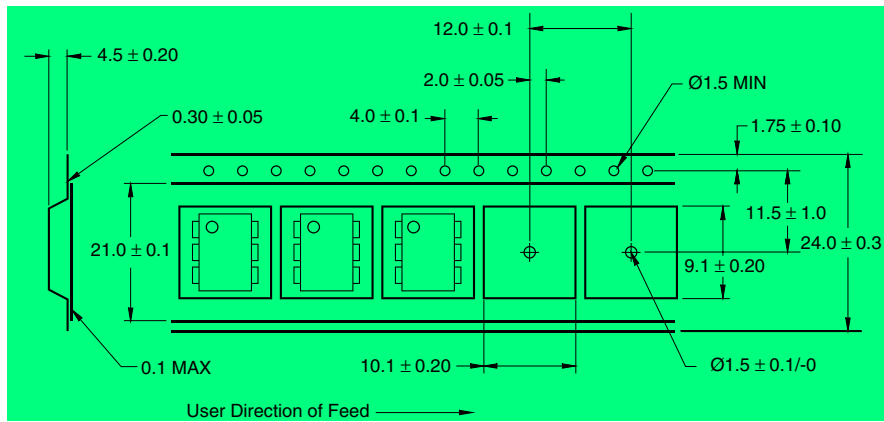
# 6-PIN DIP ZERO-CROSS OPTOISOLATORS TRIAC DRIVER OUTPUT (800 VOLT PEAK)

MOC3081M

MOC3082M

MOC3083M

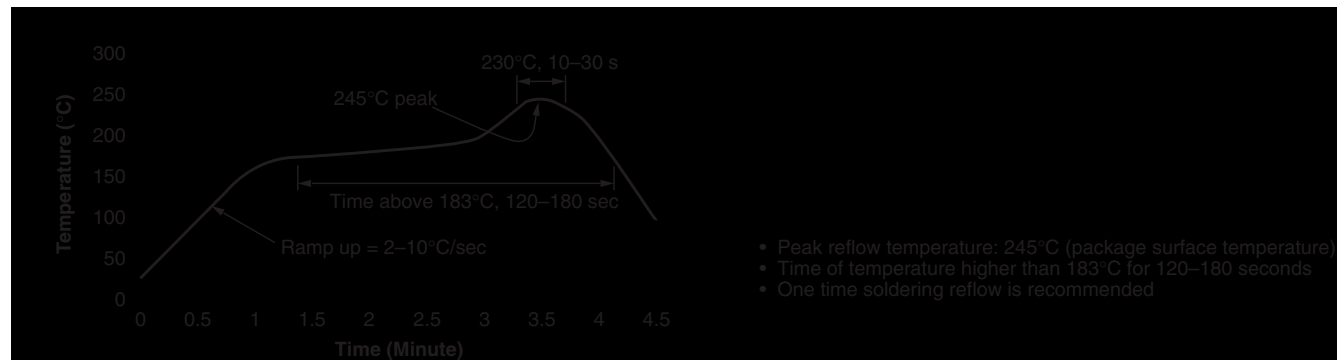
## Carrier Tape Specifications



### NOTE

All dimensions are in inches (millimeters)

## Reflow Profile





# 6-PIN DIP ZERO-CROSS OPTOISOLATORS TRIAC DRIVER OUTPUT (800 VOLT PEAK)

---

**MOC3081M**

**MOC3082M**

**MOC3083M**

---

## **DISCLAIMER**

FAIRCHILD SEMICONDUCTOR RESERVES THE RIGHT TO MAKE CHANGES WITHOUT FURTHER NOTICE TO ANY PRODUCTS HEREIN TO IMPROVE RELIABILITY, FUNCTION OR DESIGN. FAIRCHILD DOES NOT ASSUME ANY LIABILITY ARISING OUT OF THE APPLICATION OR USE OF ANY PRODUCT OR CIRCUIT DESCRIBED HEREIN; NEITHER DOES IT CONVEY ANY LICENSE UNDER ITS PATENT RIGHTS, NOR THE RIGHTS OF OTHERS.

## **LIFE SUPPORT POLICY**

FAIRCHILD'S PRODUCTS ARE NOT AUTHORIZED FOR USE AS CRITICAL COMPONENTS IN LIFE SUPPORT DEVICES OR SYSTEMS WITHOUT THE EXPRESS WRITTEN APPROVAL OF THE PRESIDENT OF FAIRCHILD SEMICONDUCTOR CORPORATION. As used herein:

1. Life support devices or systems are devices or systems which, (a) are intended for surgical implant into the body, or (b) support or sustain life, and (c) whose failure to perform when properly used in accordance with instructions for use provided in the labeling, can be reasonably expected to result in a significant injury of the user.
2. A critical component in any component of a life support device or system whose failure to perform can be reasonably expected to cause the failure of the life support device or system, or to affect its safety or effectiveness.

This datasheet has been download from:

[www.datasheetcatalog.com](http://www.datasheetcatalog.com)

Datasheets for electronics components.