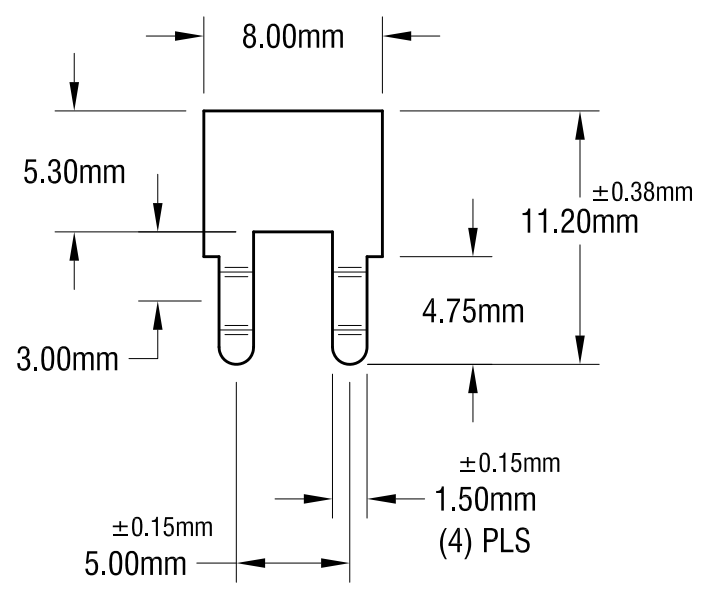
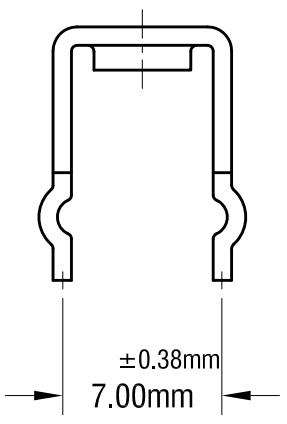
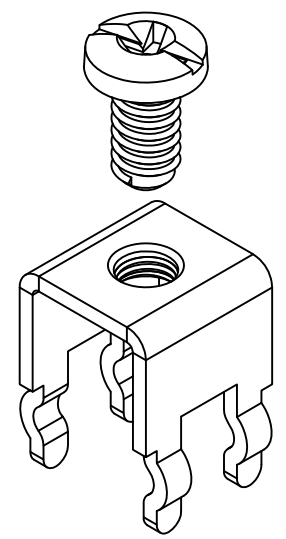
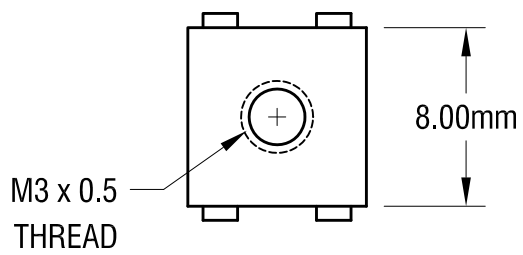
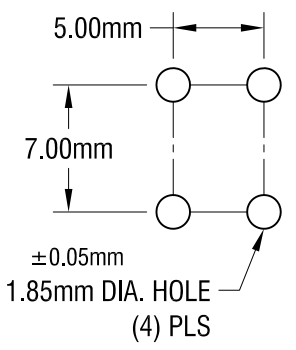


THIS DOCUMENT IS THE PROPERTY OF KEYSTONE ELECTRONICS CORP. AND SHALL NOT BE REPRODUCED, DISTRIBUTED OR USED AS A BASIS FOR MANUFACTURE WITHOUT PRIOR WRITTEN PERMISSION FROM KEYSTONE ELECTRONICS CORP.

MOUNTING DETAIL



NOTE:

- 1. TERMINAL:
 MAT'L - 0.8mm TH'K BRASS, MATTE TIN PLATE
 SCREW : ONE (1) M3 x 0.5 6.00 mm L., SUPPLIED LOOSE.
 MAT'L - BRASS, NICKEL PLATE
- 2. ALL DIMENSIONS ARE IN MILLIMETERS.

DATE	DESCRIPTION	REV.
7.15.09	CHANGE AS PER ECN 09-102	D
11.18.08	CHANGE AS PER ECN 08-179	C
1.2.08	CHANGE AS PER ECN 08-004	B

KEYSTONE ELECTRONICS CORP.			
www.keyelco.com • ASTORIA, N.Y. 11105-2017 • Tel (718) 956-8900			
PART NAME		PC METRIC SCREW TERMINAL	
MATERIAL		0.8mm TH'K BRASS	
FINISH	AS NOTED	DRN BY	BOONE
		APP'D	LN
		DATE	4.18.01
		SCALE	3X
TOLERANCES	INCH [MM]	CODE	DWG NO.
DECIMAL	± [± 0.25]	C	
ANGULAR	± 1°		
UNLESS OTHERWISE SPECIFIED			7698

Mouser Electronics

Authorized Distributor

Click to View Pricing, Inventory, Delivery & Lifecycle Information:

[Keystone Electronics:](#)

[7698](#)