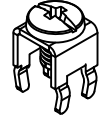
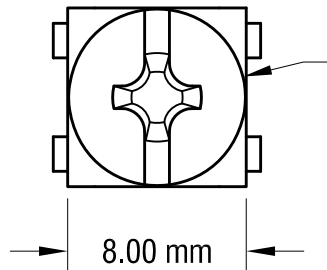
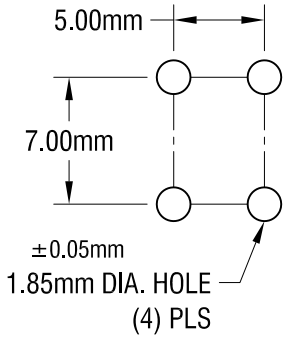


THIS DOCUMENT IS THE PROPERTY OF KEYSTONE ELECTRONICS CORP. AND SHALL NOT BE REPRODUCED, DISTRIBUTED OR USED AS A BASIS FOR MANUFACTURE WITHOUT PRIOR WRITTEN PERMISSION FROM KEYSTONE ELECTRONICS CORP.

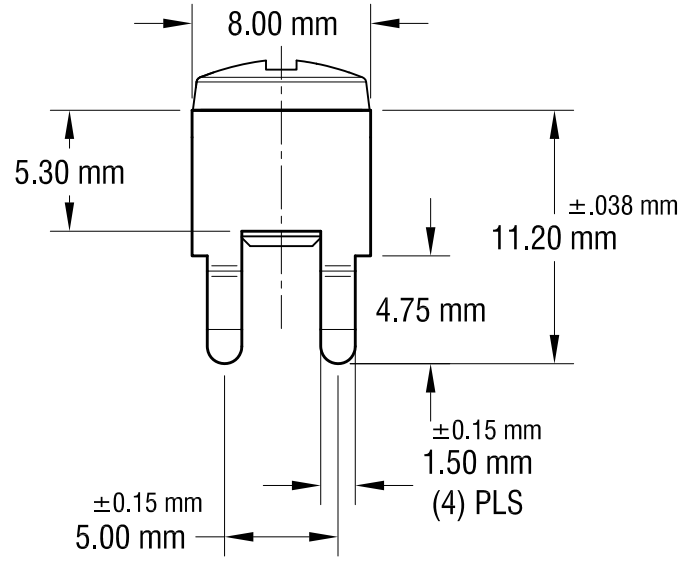
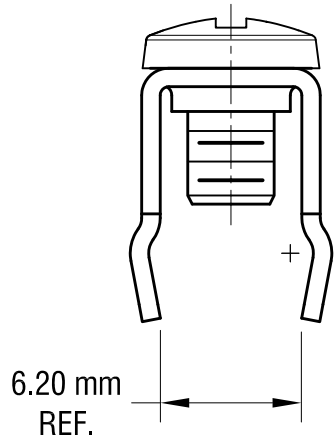
**ACTUAL SIZE**



**MOUNTING DETAIL**



M4 x 0.7  
6.35 LENGTH  
CAPTIVE SCREW



**NOTE:**

**1. TERMINAL:**

MAT'L - 0.81mm TH'K BRASS, MATTE TIN PLATE

SCREW : ONE (1) M4 x 0.7 x 6.35mm L.  
(CAPTIVE SCREW)

MAT'L - BRASS, NICKEL PLATE

HEAD OF SCREW IS POWDER COATED  
WITH COLOR AS INDICATED IN CHART.

**2. ALL DIMENSIONS ARE IN MILLIMETERS.**

**PC SCREW TERMINAL WITH COLORED SCREW HEAD**

PART NO.	HEAD COLOR	PART NO.	HEAD COLOR
7797-2	RED	7797-5	BLUE
7797-3	BLACK	7797-6	GREEN
7797-4	WHITE	7797-7	YELLOW

**KEYSTONE ELECTRONICS CORP.**

www.keyelco.com • NEW HYDE PARK, NY 11040 • Tel (516) 328-7500

PART NAME <b>P METRIC SCREW TERMINAL WITH SCREW</b>			
MATERIAL <b>AS NOTED</b>			
FINISH <b>AS NOTED</b>		DRN BY <b>NT</b>	DATE <b>6.03.15</b>
		APP'D <b>LN</b>	SCALE <b>3X</b>
TOLERANCES INCH [MM]	CODE	DWG NO.	
DECIMAL ± [± 0.25 ]	<b>C</b>	<b>7797-2 - 7797-7</b>	
ANGULAR ± 1° UNLESS OTHERWISE SPECIFIED			

DATE	DESCRIPTION	REV.
------	-------------	------

# Mouser Electronics

Authorized Distributor

Click to View Pricing, Inventory, Delivery & Lifecycle Information:

[Keystone Electronics:](#)

[7797-4](#) [7797-6](#) [7797-2](#) [7797-5](#) [7797-3](#) [7797-7](#)