

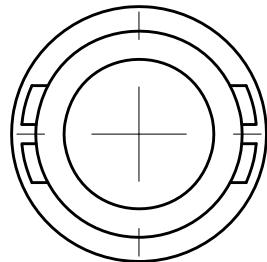
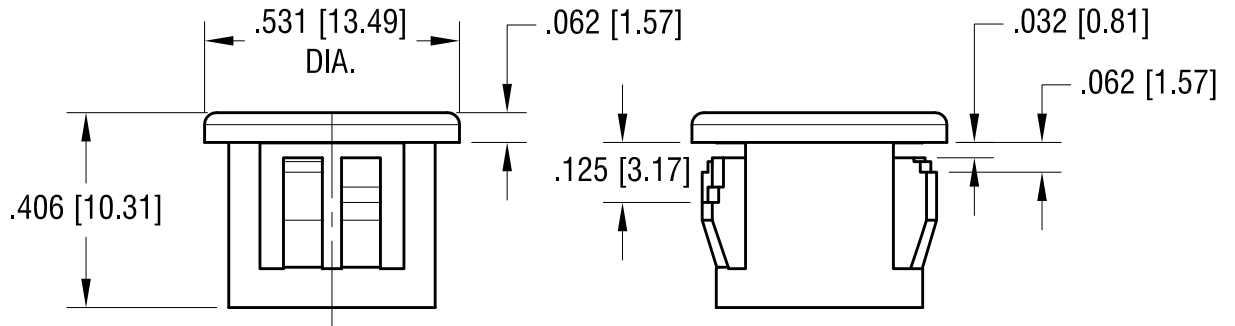
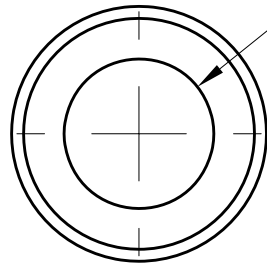
THIS DOCUMENT IS THE PROPERTY OF  
KEYSTONE ELECTRONICS CORP. AND  
SHALL NOT BE REPRODUCED, DISTRIBUTED  
OR USED AS A BASIS FOR MANUFACTURE  
WITHOUT PRIOR WRITTEN PERMISSION  
FROM KEYSTONE ELECTRONICS CORP.

ACTUAL SIZE



$+.030 [+0.76]$   
 $-.000 [-0.00]$   
 $\text{Ø}.312 [\text{Ø}7.92]$

CLEARANCE FOR WIRE



NOTE:

1. MOUNTING HOLE SIZE  $.437 [11.1]$

**KEYSTONE ELECTRONICS CORP.**

www.keyelco.com • ASTORIA, N.Y. 11105-2017 • Tel (718) 956-8900

PART NAME

NYLON INSULATING BUSHING

MATERIAL

NYLON 6/6, BLACK UL 94V-2

FINISH

-

DRN BY

BOONE

DATE

11.22.06

APP'D

LN

SCALE

2.5X

4.21.11 CHANGE AS PER ECR 11-056

A

TOLERANCES

INCH [MM]

DECIMAL

$\pm .015 [\pm 0.38]$

ANGULAR  $\pm 1^\circ$

UNLESS OTHERWISE SPECIFIED

CODE

C

DWG NO.

8473

DATE

DESCRIPTION

REV.

# Mouser Electronics

Authorized Distributor

Click to View Pricing, Inventory, Delivery & Lifecycle Information:

[Keystone Electronics:](#)

[8473](#)