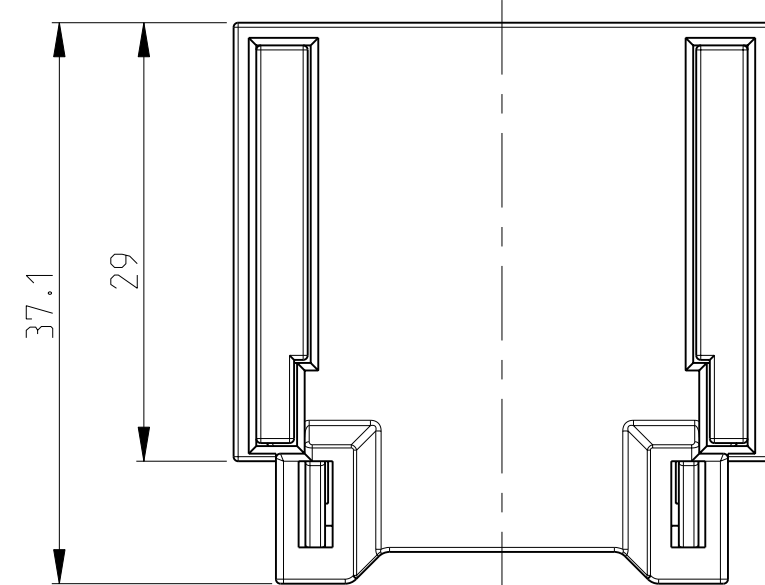
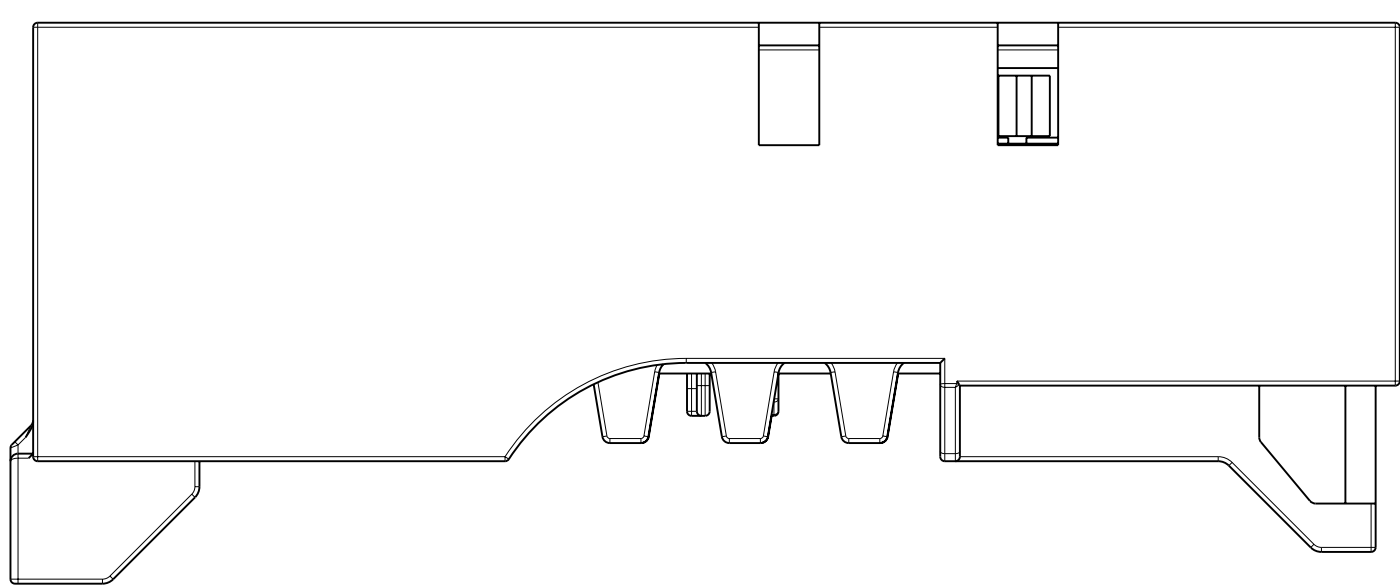
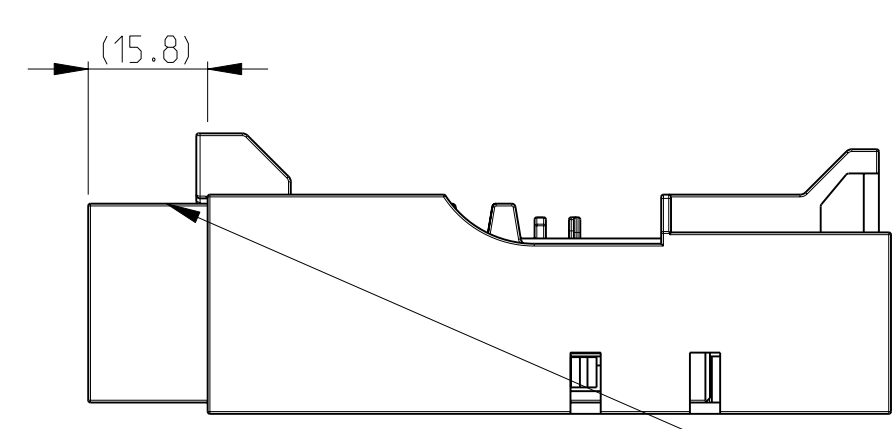
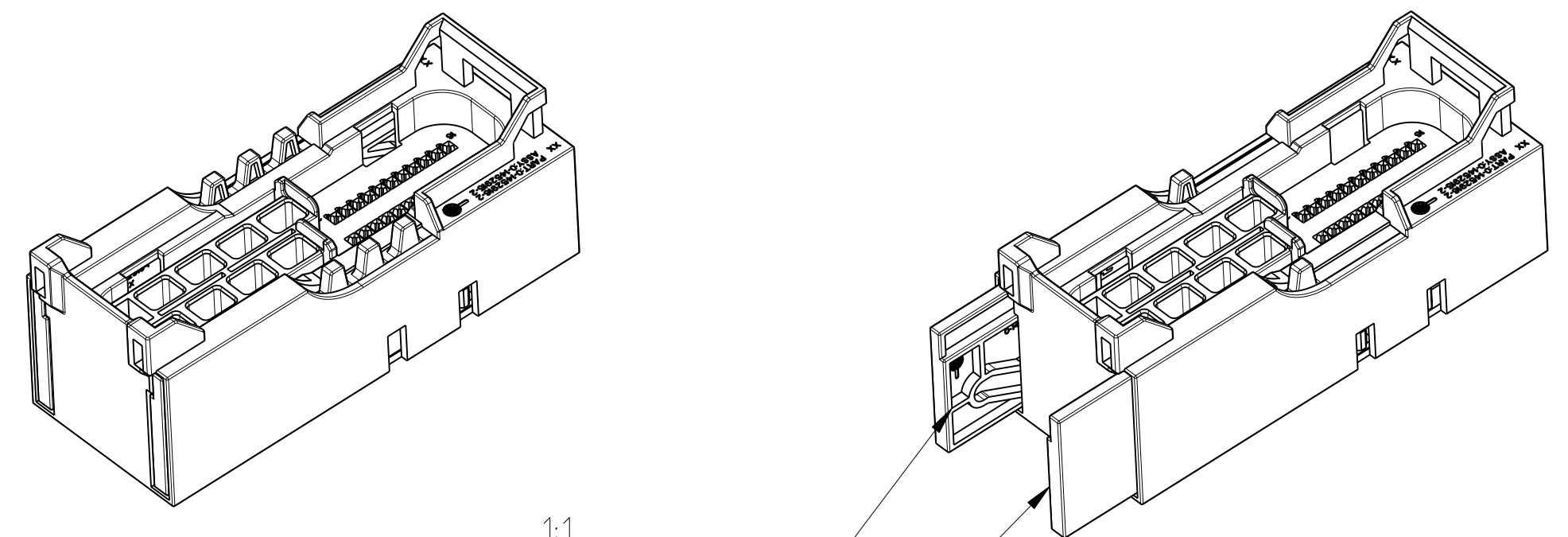
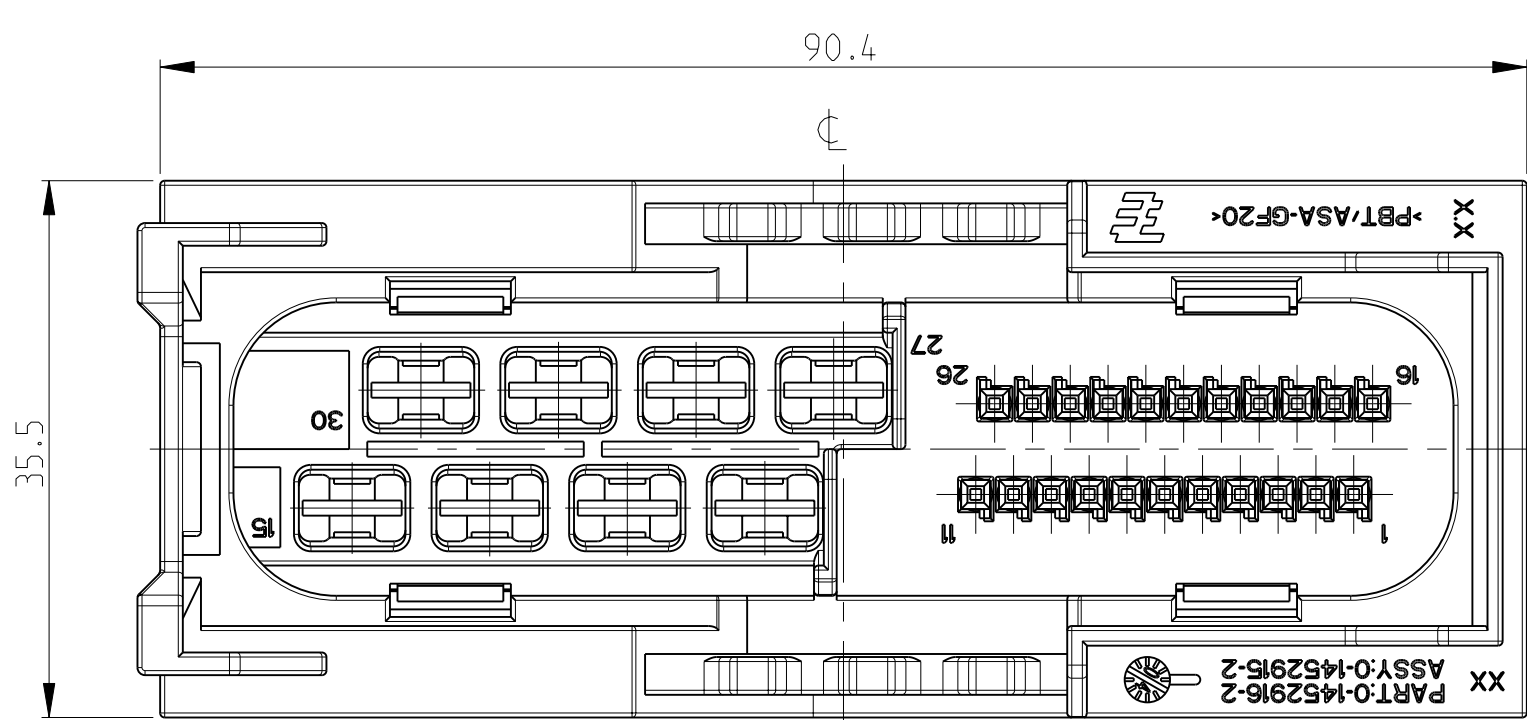
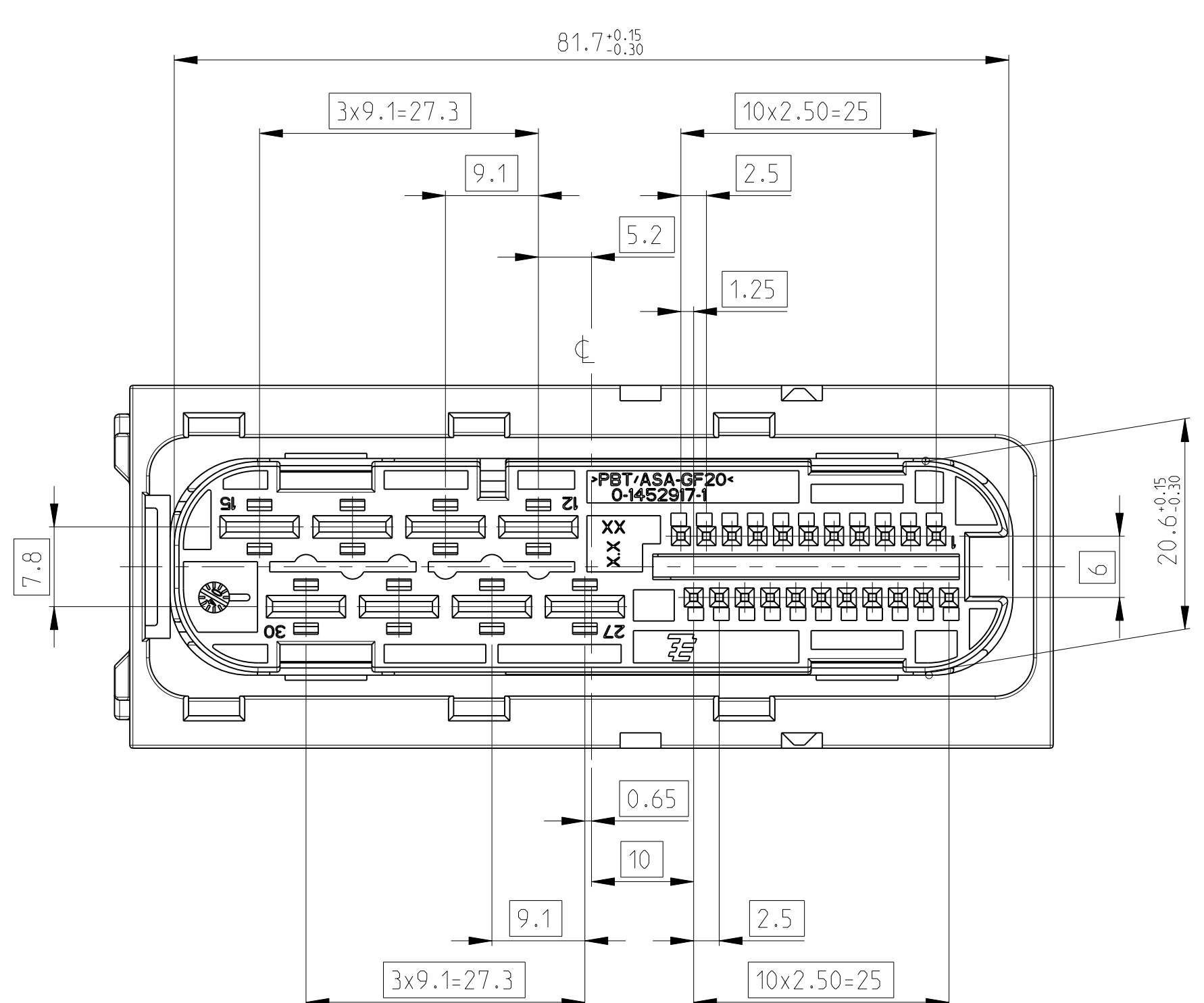
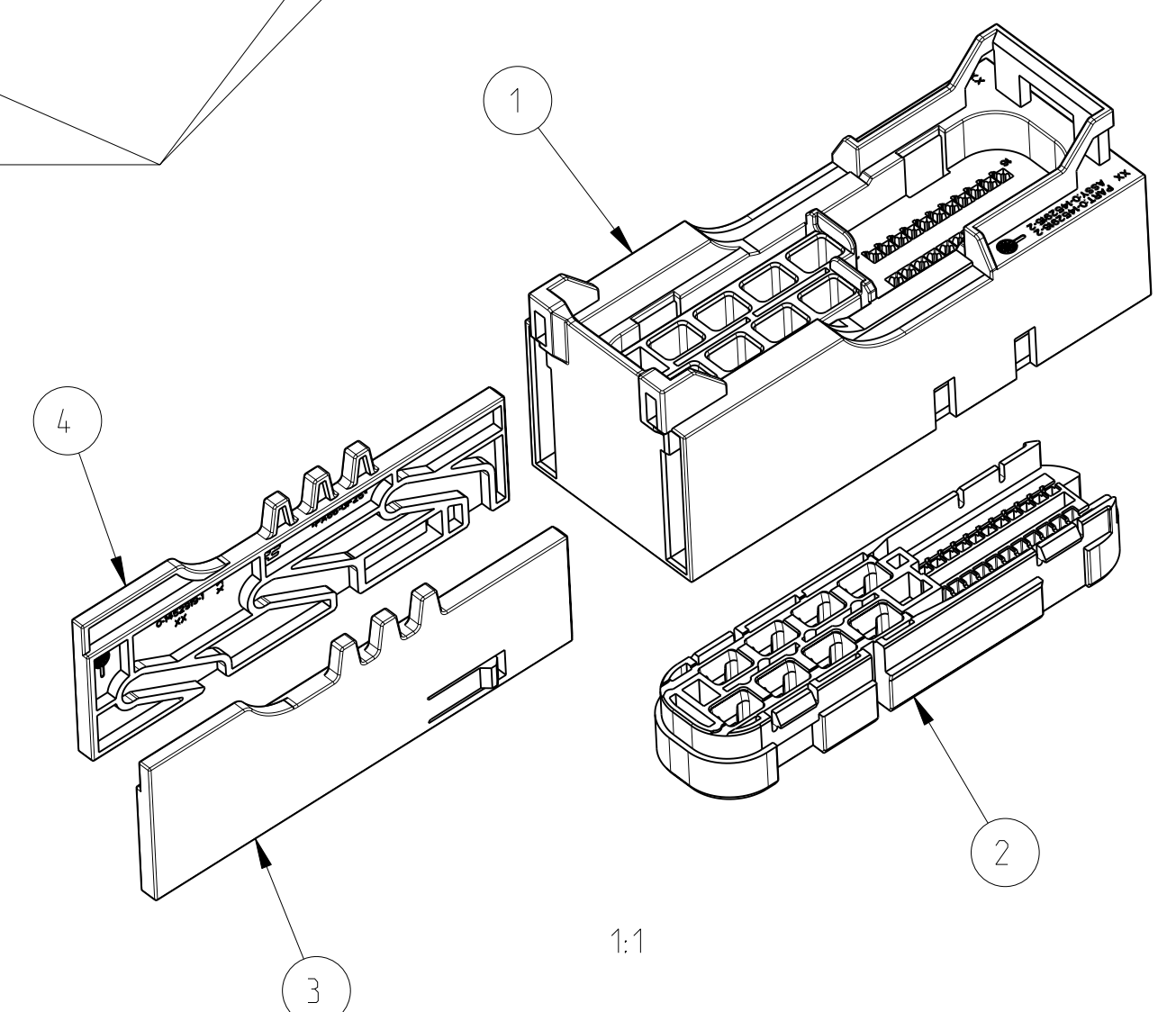


LOC	DIST	REV	DATE	BY	APP'D
A1	-	E1	11MAR2010	GP	GM



SLIDE IN PRELOCK POSITION
 Schieber in Vorraststellung



AMP	MCP 6.3/4.8K (QKK 6.3)	TE-NO	TE-Nr.	CROSS SECTION IN mm2	Leitungsquerschnitt in mm2	SURFACE AREA	Oberflaeche
-	-	-	-	>4.0-6.0	-	TIN PLATED	verzinkt
1241409-1	1241408-1	-	-	>2.5-4.0	-	SILVER PLATED	versilbert
1241407-3	1241406-3	-	-	>1.0-2.5	-	TIN PLATED	verzinkt
1241407-1	1241406-1	-	-	0.50-1.0	-	TIN PLATED	verzinkt
1241405-1	1241404-1	-	-	0.20-0.50	-	TIN PLATED	verzinkt
1241403-1	1241402-1	-	-	0.75	0.50 / 0.35 / 0.22	GOLD POST PLATED	vergolde
1241401-1	1241400-1	-	-	0.75	0.50 / 0.35 / 0.22	PRE-TIN vorverzinkt	-
963729-5	963715-5	-	-	0.50 / 0.35 / 0.22	0.50 / 0.35 / 0.22	GOLD POST PLATED	vergolde
963729-1	963715-1	-	-	0.50 / 0.35 / 0.22	0.50 / 0.35 / 0.22	PRE-TIN vorverzinkt	-
963726-5	928999-5	-	-	0.50 / 0.35 / 0.22	0.50 / 0.35 / 0.22	GOLD POST PLATED	vergolde
963726-1	928999-1	-	-	0.50 / 0.35 / 0.22	0.50 / 0.35 / 0.22	PRE-TIN vorverzinkt	-
TYPE	SINGLE TYPE Einzel-ausfuehrung	TE-NO	TE-Nr.	CROSS SECTION IN mm2	Leitungsquerschnitt in mm2	SURFACE AREA	Oberflaeche

- NOTES:
 Bemerkungen:
 1 DELIVERY CONDITION: SLIDE IN ENDOCK POSITION
 Auslieferungszustand: Schieber in Endraststellung
 2 ASSY USED WITH HEADER:
 Assy verwendet mit folgenden Stiftgehäuse:
 TE-INTERFACE-NO: 114-18674

MATED WITH	1-1452920-1	0-1452920-1	1534358-1	POSITION	MATERIAL	COLOR	ITEM NO
verwendet mit	1x	30POS. SLIDE RIGHT	PA66-GF25	BLACK	4		
	1x	30POS. SLIDE LEFT	PA66-GF25	BLACK	3		
	1x	30POS. CONTACT HOUSING	PBT/ASA-GF20	BLACK	2		
	1x	30POS. FEMALE HOUSING	PBT/ASA-GF20	BLACK	1		
	0-1452915-2	DESCRIPTION	MATERIAL	COLOR	ITEM NO		
E	REVISION OF EACH ASSY NO (WHEN BLANK, USE DWG REVISION)						

DIMENSIONS:	TOLERANCES UNLESS OTHERWISE SPECIFIED:	APP'D	DATE	NAME	SCALE	SHEET	OF	REV
mm	0 PLC ±0.5 1 PLC ±0.5 2 PLC ±0.5 3 PLC ±0.5 4 PLC ±0.5 ANGLES ±0.1	G.PUCKEL	15 JUL 2004	30POS. MIXED FEMALE CONNECTOR (22 x MQS AND 8 x MCP6.3) ASSY	5:1	1	1	E1
MATERIAL:	FINISH:	APP'D	DATE	PRODUCT SPEC	SIZE	CAGE CODE	DRAWING NO	RESTRICTED TO
-	-	K.ROTH	15 JUL 2004	-	A1	00779	1452915	-
CUSTOMER DRAW ING		WEIGHT		APPLICATION SPEC		SCALE		SHEET
-		-		114-18675		5:1		1 OF 1

-2 AS SHOWN
 wie gezeichnet

Mouser Electronics

Authorized Distributor

Click to View Pricing, Inventory, Delivery & Lifecycle Information:

[TE Connectivity:](#)

[1452915-2](#)