



16mm Panel Mount Momentary Pushbutton - Burgundy

PRODUCT ID: 1503

IN STOCK

1

ADD TO CART

1-9

10-99

100+

ADD TO WISHLIST

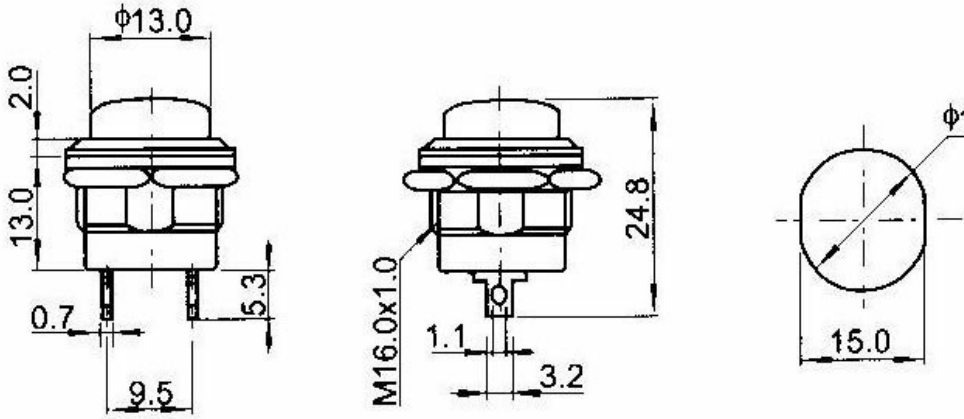
[DESCRIPTION](#)[TECHNICAL DETAILS](#)

DESCRIPTION

OK, this item is pretty simple - it's a panel mount pushbutton. It's not that exciting, no LEDs, no bells & whistles. But we really like it anyways – look at that lovely rounded shape, that elegant bevel. If you're going to go with a momentary pushbutton, let it be this one!

The button is a normally-open micro-switch. When pressed, the contacts short closed and [Bob's your uncle!](#)

TECHNICAL DETAILS



- Max Dimensions: 18.06mm / 0.7" x 18mm / 0.7" x 29.4mm / 1.15"
- Shaft Dimensions: 14.89mm / 0.58" x 15.56mm / 0.6" x 18.7mm / 0.73"
- Button Height: 5mm / 0.2"
- Button Height Depressed: 3.5mm / 0.15"
- Weight: 4.6g

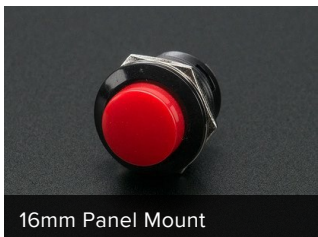
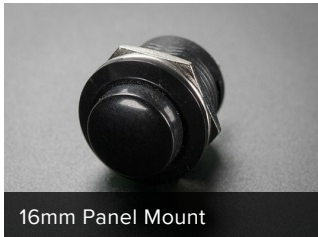


LEARN



[Instant Camera using Raspberry Pi and Thermal Printer](#)
Pixelated photo DIY chic

MAY WE ALSO SUGGEST...





16mm Panel Mount

DISTRIBUTORS [EXPAND TO SEE DISTRIBUTORS](#)

- [CONTACT](#)
- [SUPPORT](#)
- [DISTRIBUTORS](#)
- [EDUCATORS](#)
- [JOBS](#)
- [FAQ](#)
- [SHIPPING & RETURNS](#)
- [TERMS OF SERVICE](#)
- [PRIVACY & LEGAL](#)
- [ABOUT US](#)

"Hardware eventually fails. Software eventually works" - Michael Hartung

ENGINEERED IN NYC Adafruit®



4.9 ★★★★★
Google
Customer Reviews