



Quality Products. Service Excellence.

Low Voltage Solder or Quick Connect Terminals - 2.4 VA to 102 VA

186-187 Series

Chassis Mount - 115 & 115/230 V Primary

Features



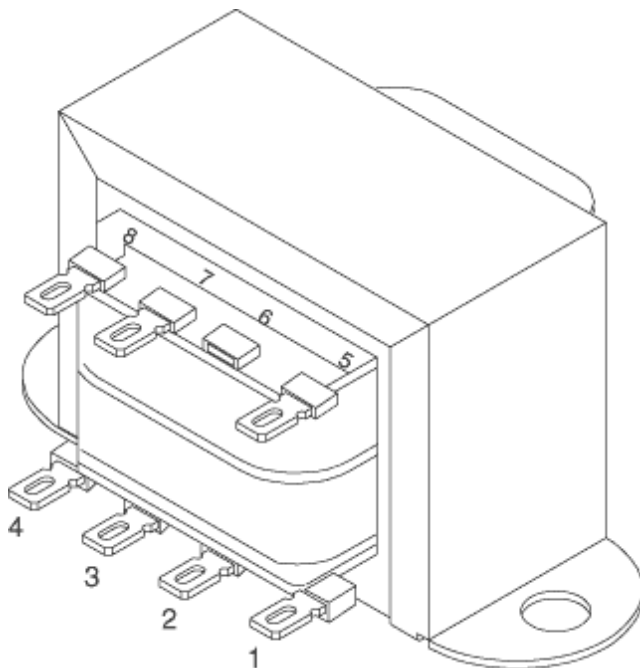
- Choice of two primaries: Single Primary 115VAC (187 series) or Dual Primary 115/230VAC (186 series).
- Either series operates on 50/60 Hz.
- Combination solder or quick connect terminals.
- Split bobbin construction eliminates the need for an electrostatic shield.
- Hi-pot tested to 2 KV RMS.
- Economical open style, channel frame - chassis mount design
- Insulation material - Class B or 130 C
- Lower temperature rise designed not to exceed Class A for longer life.
- UL listed (# E207860) Type 3AH
- CSA Certified



A wiring diagram for this series can be downloaded [here](#).

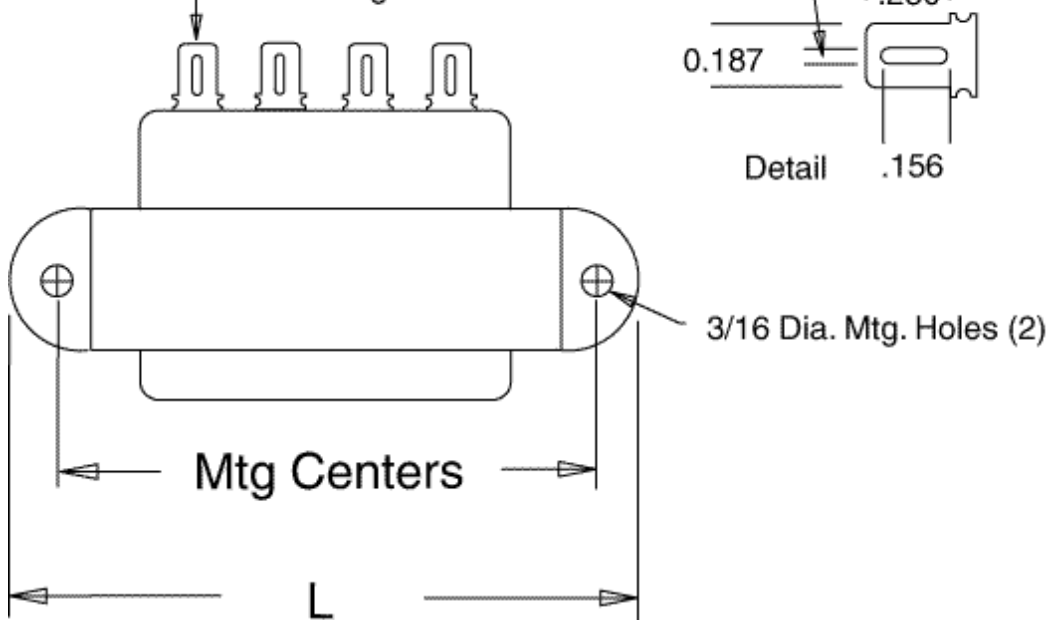
Gallery





3/16 (.187) Quick Connect
or

Solder Lug Terminals



| Part No. Single Primary 115 VAC | Part No. Dual Primary 115/230 VAC | Secondary (R.M.S.) VAC | Current (Amps) | VA Rating | Length L | Dimensions | | Mounting Centers D | Depth To Terminal E |
|---------------------------------------|---|------------------------------|-------------------|--------------|-------------|---|-------------|--------------------------|---------------------------|
| | | | | | | Depth (Not Including Terminals) B | Height C | | |
| 187A10 | - | 10V C.T. | 0.25 | 2.5 | 2.06 | 1.06 | 1.18 | 1.75 | 1.44 |
| 187B10 | 186B10 | 10V C.T. | 0.6 | 6 | 2.37 | 1.25 | 1.37 | 2.00 | 1.62 |
| 187C10 | 186C10 | 10V C.T. | 1.2 | 12 | 2.81 | 1.37 | 1.62 | 2.37 | 1.73 |
| 187D10 | 186D10 | 10V C.T. | 3 | 30 | 3.25 | 1.68 | 1.93 | 2.81 | 2.06 |
| 187E10 | 186E10 | 10V C.T. | 5 | 50 | 3.68 | 1.81 | 2.25 | 3.12 | 2.19 |
| 187F10 | 186F10 | 10V C.T. | 10 | 100 | 4.03 | 2.25 | 2.56 | 3.50 | 2.62 |
| 187A12 | - | 12.6V C.T. | 0.19 | 2.5 | 2.06 | 1.06 | 1.18 | 1.75 | 1.44 |
| 187B12 | 186B12 | 12.6V C.T. | 0.5 | 6.3 | 2.37 | 1.25 | 1.37 | 2.00 | 1.62 |
| 187C12 | 186C12 | 12.6V C.T. | 1 | 12.6 | 2.81 | 1.37 | 1.62 | 2.37 | 1.73 |
| 187D12 | 186D12 | 12.6V C.T. | 2.5 | 31.5 | 3.25 | 1.68 | 1.93 | 2.81 | 2.06 |

| Part No. Single Primary 115 VAC | Part No. Dual Primary 115/230 VAC | Secondary (R.M.S.) VAC | Current (Amps) | VA Rating | Length L | Dimensions | | | |
|---------------------------------------|---|------------------------------|-------------------|--------------|-------------|---|--------------------------|---------------------------|-------------|
| | | | | | | Depth (Not Including Terminals) B | Mounting Centers D | Depth To Terminal E | |
| | | | | | | | | | Height C |
| 187E12 | 186E12 | 12.6V C.T. | 4 | 50.4 | 3.68 | 1.81 | 2.25 | 3.12 | 2.19 |
| 187F12 | 186F12 | 12.6V C.T. | 8 | 100.8 | 4.03 | 2.25 | 2.56 | 3.50 | 2.62 |
| 187A16 | - | 16V C.T. | 0.15 | 2.4 | 2.06 | 1.06 | 1.18 | 1.75 | 1.44 |
| 187B16 | 186B16 | 16V C.T. | 0.4 | 6.4 | 2.37 | 1.25 | 1.37 | 2.00 | 1.62 |
| 187C16 | 186C16 | 16V C.T. | 0.8 | 12.8 | 2.81 | 1.37 | 1.62 | 2.37 | 1.73 |
| 187D16 | 186D16 | 16V C.T. | 2 | 32 | 3.25 | 1.68 | 1.93 | 2.81 | 2.06 |
| 187E16 | 186E16 | 16V C.T. | 3.5 | 56 | 3.68 | 1.81 | 2.25 | 3.12 | 2.19 |
| 187F16 | 186F16 | 16V C.T. | 6.25 | 100 | 4.03 | 2.25 | 2.56 | 3.50 | 2.62 |
| 187A20 | - | 20V C.T. | 0.12 | 2.4 | 2.06 | 1.06 | 1.18 | 1.75 | 1.44 |
| 187B20 | 186B20 | 20V C.T. | 0.3 | 6 | 2.37 | 1.25 | 1.37 | 2.00 | 1.62 |
| 187C20 | 186C20 | 20V C.T. | 0.6 | 12 | 2.81 | 1.37 | 1.62 | 2.37 | 1.73 |
| 187D20 | 186D20 | 20V C.T. | 1.5 | 30 | 3.25 | 1.68 | 1.93 | 2.81 | 2.06 |
| 187E20 | 186E20 | 20V C.T. | 2.8 | 56 | 3.68 | 1.81 | 2.25 | 3.12 | 2.19 |
| 187F20 | 186F20 | 20V C.T. | 5 | 100 | 4.03 | 2.25 | 2.56 | 3.50 | 2.62 |
| 187A24 | - | 24V C.T. | 0.1 | 2.4 | 2.06 | 1.06 | 1.18 | 1.75 | 1.44 |
| 187B24 | 186B24 | 24V C.T. | 0.25 | 6 | 2.37 | 1.25 | 1.37 | 2.00 | 1.62 |
| 187C24 | 186C24 | 24V C.T. | 0.5 | 12 | 2.81 | 1.37 | 1.62 | 2.37 | 1.73 |
| 187D24 | 186D24 | 24V C.T. | 1.25 | 30 | 3.25 | 1.68 | 1.93 | 2.81 | 2.06 |
| 187E24 | 186E24 | 24V C.T. | 2.4 | 57.6 | 3.68 | 1.81 | 2.25 | 3.12 | 2.19 |
| 187F24 | 186F24 | 24V C.T. | 4 | 96 | 4.03 | 2.25 | 2.56 | 3.50 | 2.62 |
| 187A28 | - | 28V C.T. | 0.08 | 2.4 | 2.06 | 1.06 | 1.18 | 1.75 | 1.44 |
| 187B28 | 186B28 | 28V C.T. | 0.2 | 5.6 | 2.37 | 1.25 | 1.37 | 2.00 | 1.62 |
| 187C28 | 186C28 | 28V C.T. | 0.42 | 12 | 2.81 | 1.37 | 1.62 | 2.37 | 1.73 |
| 187D28 | 186D28 | 28V C.T. | 1.07 | 30 | 3.25 | 1.68 | 1.93 | 2.81 | 2.06 |
| 187E28 | 186E28 | 28V C.T. | 2 | 56 | 3.68 | 1.81 | 2.25 | 3.12 | 2.19 |
| 187F28 | 186F28 | 28V C.T. | 3.57 | 100 | 4.03 | 2.25 | 2.56 | 3.50 | 2.62 |
| 187A36 | - | 36V C.T. | 0.06 | 2.34 | 2.06 | 1.06 | 1.18 | 1.75 | 1.44 |
| 187B36 | 186B36 | 36V C.T. | 0.17 | 6.12 | 2.37 | 1.25 | 1.37 | 2.00 | 1.62 |
| 187C36 | 186C36 | 36V C.T. | 0.35 | 12.6 | 2.81 | 1.37 | 1.62 | 2.37 | 1.73 |
| 187D36 | 186D36 | 36V C.T. | 0.85 | 30.6 | 3.25 | 1.68 | 1.93 | 2.81 | 2.06 |
| 187E36 | 186E36 | 36V C.T. | 1.5 | 54 | 3.68 | 1.81 | 2.25 | 3.12 | 2.19 |
| 187F36 | 186F36 | 36V C.T. | 2.8 | 100.8 | 4.03 | 2.25 | 2.56 | 3.50 | 2.62 |
| 187A48 | - | 48V C.T. | 0.05 | 2.4 | 2.06 | 1.06 | 1.18 | 1.75 | 1.44 |
| 187B48 | 186B48 | 48V C.T. | 0.12 | 6 | 2.37 | 1.25 | 1.37 | 2.00 | 1.62 |
| 187C48 | 186C48 | 48V C.T. | 0.25 | 12 | 2.81 | 1.37 | 1.62 | 2.37 | 1.73 |
| 187D48 | 186D48 | 48V C.T. | 0.62 | 30 | 3.25 | 1.68 | 1.93 | 2.81 | 2.06 |
| 187E48 | 186E48 | 48V C.T. | 1.2 | 57.6 | 3.68 | 1.81 | 2.25 | 3.12 | 2.19 |
| 187F48 | 186F48 | 48V C.T. | 2 | 96 | 4.03 | 2.25 | 2.56 | 3.50 | 2.62 |
| 187A56 | - | 56V C.T. | 0.04 | 2.5 | 2.06 | 1.06 | 1.18 | 1.75 | 1.44 |
| 187B56 | 186B56 | 56V C.T. | 0.11 | 6.16 | 2.37 | 1.25 | 1.37 | 2.00 | 1.62 |
| 187C56 | 186C56 | 56V C.T. | 0.21 | 12.3 | 2.81 | 1.37 | 1.62 | 2.37 | 1.73 |
| 187D56 | 186D56 | 56V C.T. | 0.53 | 30 | 3.25 | 1.68 | 1.93 | 2.81 | 2.06 |
| 187E56 | 186E56 | 56V C.T. | 1 | 56 | 3.68 | 1.81 | 2.25 | 3.12 | 2.19 |
| 187F56 | 186F56 | 56V C.T. | 1.8 | 100.8 | 4.03 | 2.25 | 2.56 | 3.50 | 2.62 |
| 187A120 | - | 120V C.T. | 0.02 | 2.4 | 2.06 | 1.06 | 1.18 | 1.75 | 1.44 |
| 187B120 | 186B120 | 120V C.T. | 0.05 | 6 | 2.37 | 1.25 | 1.37 | 2.00 | 1.62 |
| 187C120 | 186C120 | 120V C.T. | 0.1 | 12 | 2.81 | 1.37 | 1.62 | 2.37 | 1.73 |
| 187D120 | 186D120 | 120V C.T. | 0.25 | 30 | 3.25 | 1.68 | 1.93 | 2.81 | 2.06 |
| 187E120 | 186E120 | 120V C.T. | 0.5 | 60 | 3.68 | 1.81 | 2.25 | 3.12 | 2.19 |
| 187F120 | 186F120 | 120V C.T. | 0.85 | 102 | 4.03 | 2.25 | 2.56 | 3.50 | 2.62 |

Tags: 3AH, power transformer, chassis mount, low voltage, solder, quick connect, terminal, insulated, *Data subject to change without notice*
dual primary, single primary

