

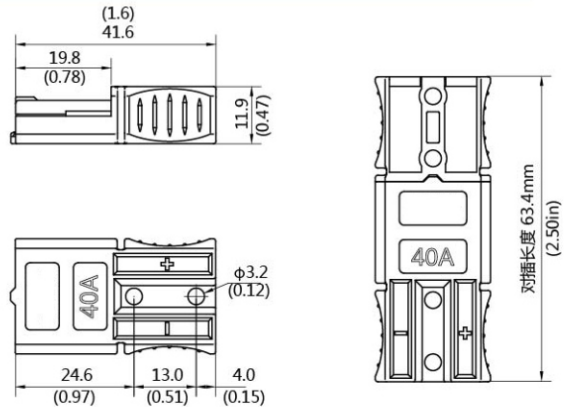
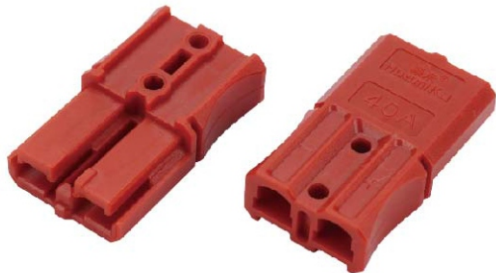


XIAMEN OLINK IMPORT & EXPORT CO.,LTD

SH SERIES

Connectors-SH40

Certification: CE / ROHS



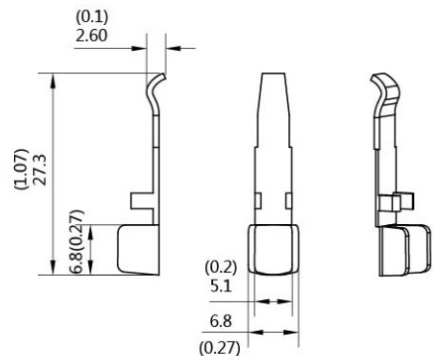
额定电流/安培 Rated current (Amperes)	40A
额定电压/伏特 Rated voltage (Volts)	600V
端子材料 Material of terminal	紫铜 Red copper
胶壳材料 Housing material	聚碳酸酯 PC
阻燃等级 Flammability	UL94 V-0

零件料号 Part Number	胶壳颜色 Housing Colour	零件料号 Part Number	胶壳颜色 Housing Colour
SH40-RE	● 红 Red	SH40-GR	● 灰 Gray
SH40-BU	● 蓝 Blue	SH40-YE	● 黄 Yellow
SH40-BL	● 黑 Black	SH40-OR	● 橙 Orange
SH40-GE	● 绿 Green	SH40-WH	● 白 White

Terminal: SH40



零件料号 Part Number	线 Wire
SH5912-T	12AWG&10AWG

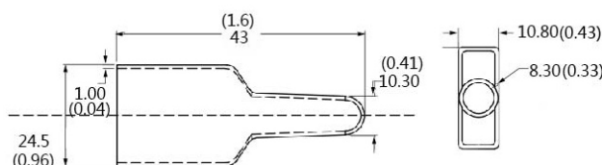


Auxiliary parts for SH40



2 pole sheath

零件料号 Part Number	颜色 Colour
SH40F3-BL	● 黑 Black



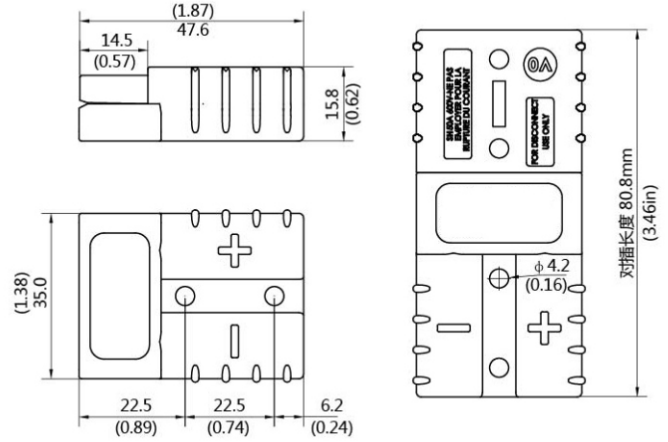


XIAMEN OLINK IMPORT & EXPORT CO.,LTD

SH SERIES

Connectors-SH50

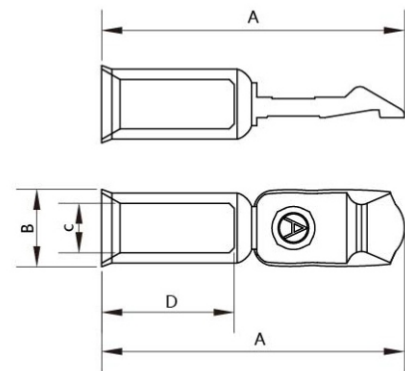
Certification: CE / ROHS



额定电流/安培 Rated current (Amperes)	50A
额定电压/伏特 Rated voltage (Volts)	600V
端子材料 Material of terminal	紫铜 Red copper
胶壳材料 Housing material	聚碳酸酯 PC
阻燃等级 Flammability	UL94 V-0

零件料号 Part Number	胶壳颜色 Housing Colour	零件料号 Part Number	胶壳颜色 Housing Colour
SH50-RE	● 红 Red	SH50-GR	● 灰 Gray
SH50-BU	● 蓝 Blue	SH50-YE	● 黄 Yellow
SH50-BL	● 黑 Black	SH50-OR	● 橙 Orange
SH50-GE	● 绿 Green	SH50-WH	● 白 White

Terminal: SH50



零件料号 Part Number	A(mm)/(in)	B(mm)/(in)	C(mm)/(in)	D(mm)/(in)	线 Wrie
SH5900-T	29.6(1.17)	7(0.28)	5.6(0.22)	12.0(0.47)	6AWG < 标 >
SH5952-T	29.6(1.17)	7(0.28)	4.7(0.19)	12.0(0.47)	8AWG
SH5915-T	29.6(1.17)	7(0.28)	3.5(0.14)	12.0(0.47)	10AWG&12AWG

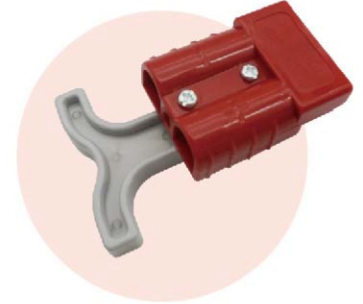
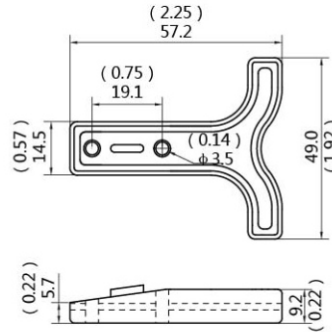


Auxiliary parts for SH50

HOLD HANDS



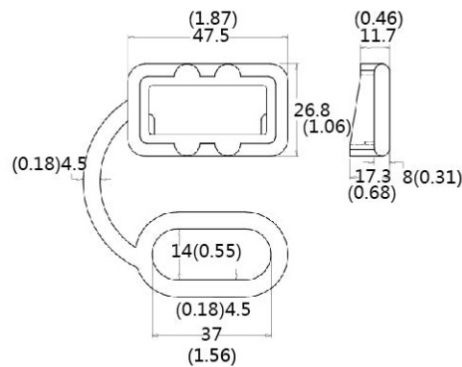
零件料号 Part Number	颜色 Colour
SH50L1-RE	● 红 Red
SH50L1-GR	● 灰 Gray



DUSTPROOF COVER

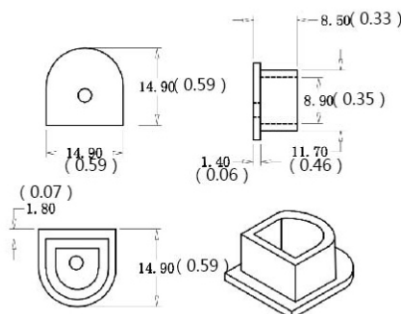


零件料号 Part Number	颜色 Colour
SH11F1-BL	● 黑 Black
SH11F1-RE	● 红 Red



CABLEFIX PLUG

零件料号 Part Number	颜色 Colour
SH11F3-BL	● 黑 Black
SH11F1-RE	● 红 Red



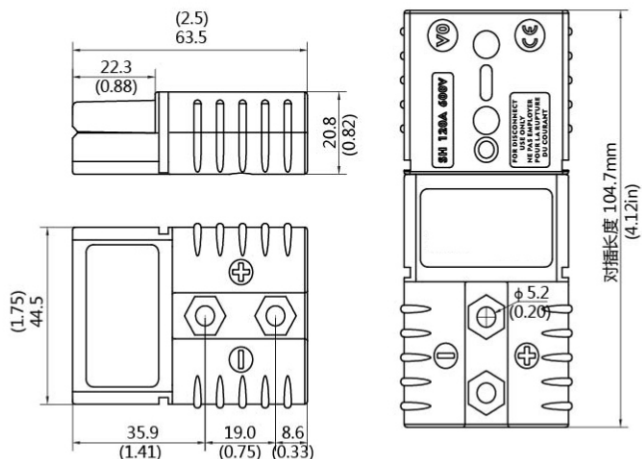


XIAMEN OLINK IMPORT & EXPORT CO.,LTD

SH SERIES

Connectors-SH120

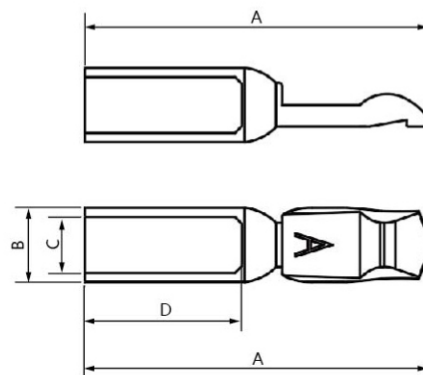
Certification: CE / ROHS



额定电流/安培 Rated current (Amperes)	120A
额定电压/伏特 Rated voltage (Volts)	600V
端子材料 Material of terminal	紫铜 Red copper
胶壳材料 Housing material	聚碳酸酯 PC
阻燃等级 Flammability	UL94 V-0

零件料号 Part Number	胶壳颜色 Housing Colour	零件料号 Part Number	胶壳颜色 Housing Colour
SH120-RE	● 红 Red	SH120-GR	● 灰 Gray
SH120-BU	● 蓝 Blue	SH120-YE	● 黄 Yellow
SH120-BL	● 黑 Black	SH120-OR	● 橙 Orange
SH120-GE	● 绿 Green	SH120-WH	● 白 White

Terminal: SH120



零件料号 Part Number	A(mm)/(in)	B(mm)/(in)	C(mm)/(in)	D(mm)/(in)	线 Wrie
SH1379G2-T	50.5(1.99)	11(0.43)	9.1(0.36)	22.5(0.89)	2AWG
SH1379G4-T	50.5(1.99)	11(0.43)	8.3(0.33)	22.5(0.89)	4AWG <标>
SH1379G6-T	50.5(1.99)	11(0.43)	6(0.24)	22.5(0.89)	6AWG

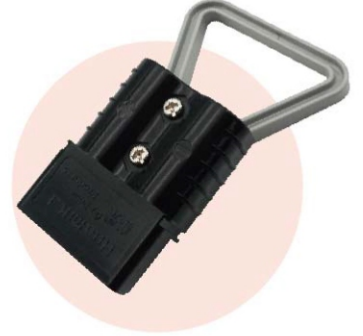
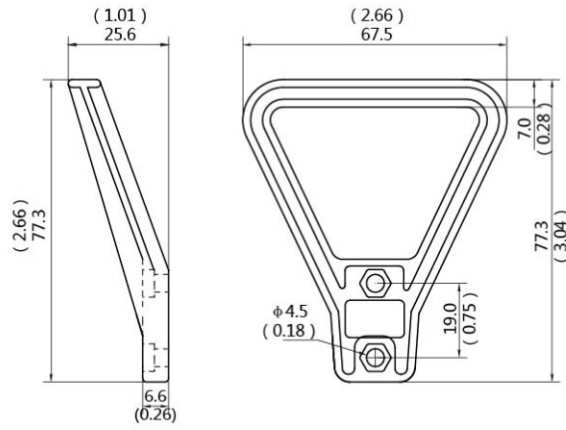


Auxiliary parts for SH120

HOLD HANDS



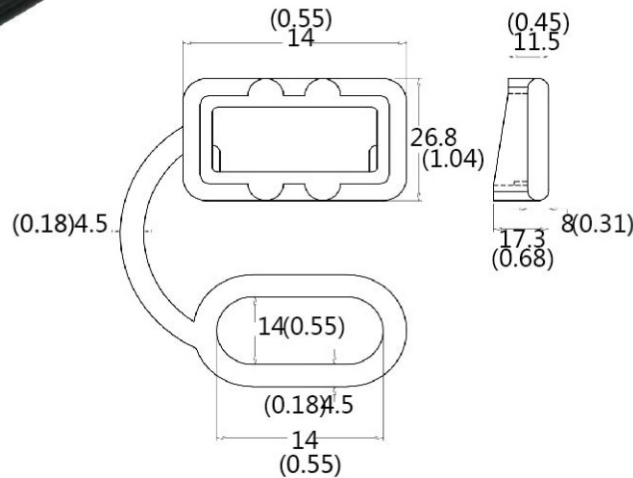
零件料号 Part Number	颜色 Colour
SH120L1-RE	● 红 Red
SH120L1-GR	● 灰 Gray



DUSTPROOF COVER



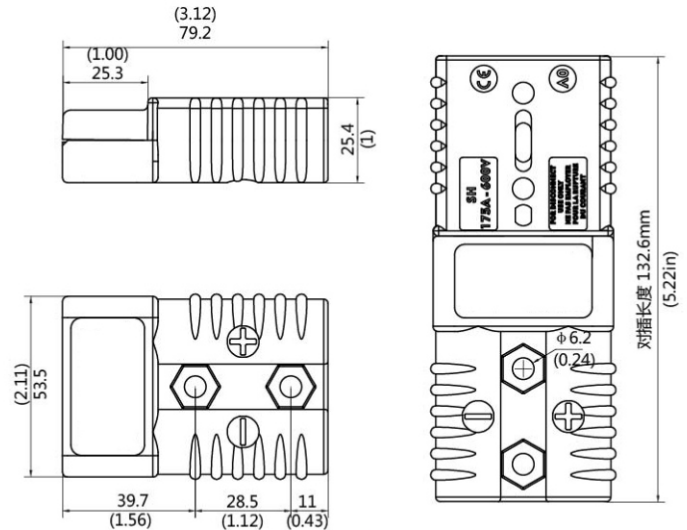
零件料号 Part Number	颜色 Colour
SH120F1-BL	● 黑 Black
SH120F1-RE	● 红 Red





Connectors-SH175

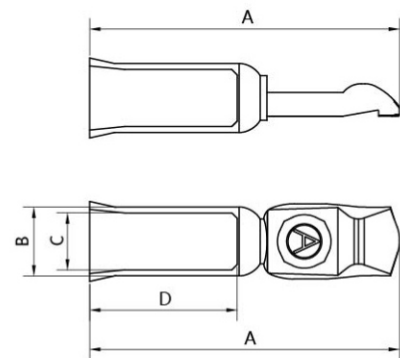
Certification: CE/ROHS



额定电流/安培 Rated current (Amperes)	175A
额定电压/伏特 Rated voltage (Volts)	600V
端子材料 Material of terminal	紫铜 Red copper
胶壳材料 Housing material	聚碳酸酯 PC
阻燃等级 Flammability	UL94 V-0

零件料号 Part Number	胶壳颜色 Housing Colour	零件料号 Part Number	胶壳颜色 Housing Colour
SH175-RE	● 红 Red	SH175-GR	● 灰 Gray
SH175-BU	● 蓝 Blue	SH175-YE	● 黄 Yellow
SH175-BL	● 黑 Black	SH175-OR	● 橙 Orange
SH175-GE	● 绿 Green	SH175-WH	● 白 White

Terminal: SH175



零件料号 Part Number	A(mm)/(in)	B(mm)/(in)	C(mm)/(in)	D(mm)/(in)	线 Wrie
SH1382-T	58.4(2.30)	13(0.51)	10.9(0.43)	27.5(1.08)	1/0AWG <标>
SH1383-T	58.4(2.30)	13(0.51)	9.3(0.37)	27.5(1.08)	2AWG
SH1384-T	58.4(2.30)	11(0.51)	8.3(0.33)	27.5(1.08)	4AWG

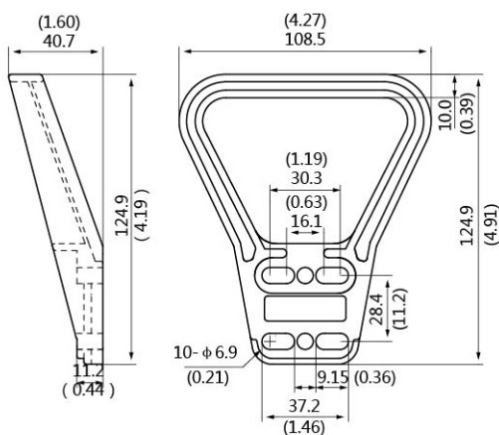


Auxiliary parts for SH175

HOLD HANDS



零件料号 Part Number	颜色 Colour
SH175F1-RE	● 红 Red
SH175F1-GR	● 灰 Gray



DUSTPROOF COVER



零件料号 Part Number	颜色 Colour
SH175F1-BL	● 黑 Black
SH175F1-RE	● 红 Red

