

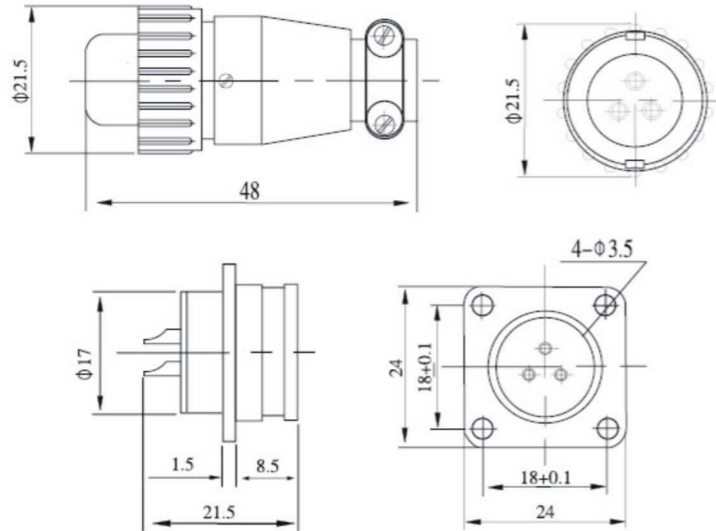


THE TECHNOLOGY IS EXPLAINED

技术说明

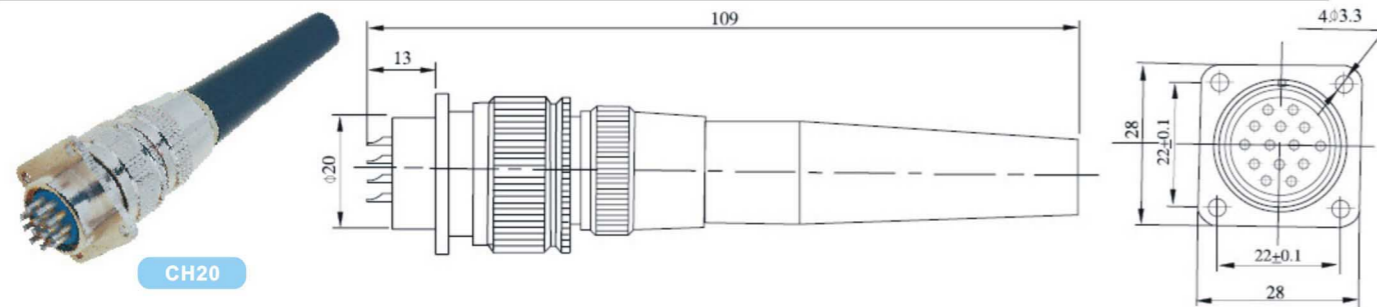
H17 type of connectors can connect quickly and convenient, They are suitable for radio broadcast, record, movie and other electric equipment.

CH20 connectors have straight shape, they can use as panel install, and the contact are reliable.



Technology Parameter 技术参数

芯数 No.Of contacts	2P	3P	4P	5P
排列图				
额定电流/电压 Rated current/voltage	20	20	20	20
接触对数量、数量	2	3	4	5
工作电压 (AC.V) 分钟 Operation limit voltage(AC.V.rms)	500	500	500	500
耐电压 (AC.V) 分钟 Withstanding voltage(AC.V.rms) 1 minute	1500	1500	1500	1500
绝缘阻抗 (MΩ) dc 500v Insulation resistance(MΩ) at dc 500v	>500	>500	>500	>500
接触阻抗 (mΩ) dc 1a Contact resistance (mΩ max) at dc 1A	<1	<1	<1	<1



CH20



THE TECHNOLOGY IS EXPLAINED

技术说明

FQ series waterproof circular electric connectors are qualified of industry bureau standard DZ4Q/RE008-84 in electric manufacture instrument. FQ connectors have advanced structure, high reliable, small resistance, withstand shock, high impact resistance, strong sealing and so on. The connecting is bayonet coupling. FQ connectors use simply, convenient operation. FQ connectors have already been used all kinds of electric instrument connections.



一、使用环境条件

Temperature range	-55~+100℃
Humidity	40℃ 98±3%
Vibration	10~200Hz acceleration 150m/s ²
Shock	acceleration 490m/s ²
constant acceleration	acceleration 245m/s ²
Pressure	4.4kPa
Life time	500Times
Seal	The connector can not divit in water under 1 meter deep water within 30 min

Technology function 技术性能

Contact characteristic

Diameter of plug(mm)	0.8	1	1.5	2.5
Rated current (A)	2	3	10	25
Resistance (≤400V)	≥3.5mm	500V	500V	500V
	≥2.8mm	400V	400V	400V
Contact resistance	10	5	2.5	1

Test voltage under low temperature (50Hz)

Atmosphere pressure	Contact center distance	
	≥3.5mm	2.8mm
46.7	1000V	730V
8.5	500V	400V
4.4	400V	300V

Insulation resistance

standard atmosphere	Wet condition	High temperature
≥5000MΩ	≥500MΩ	≥100MΩ

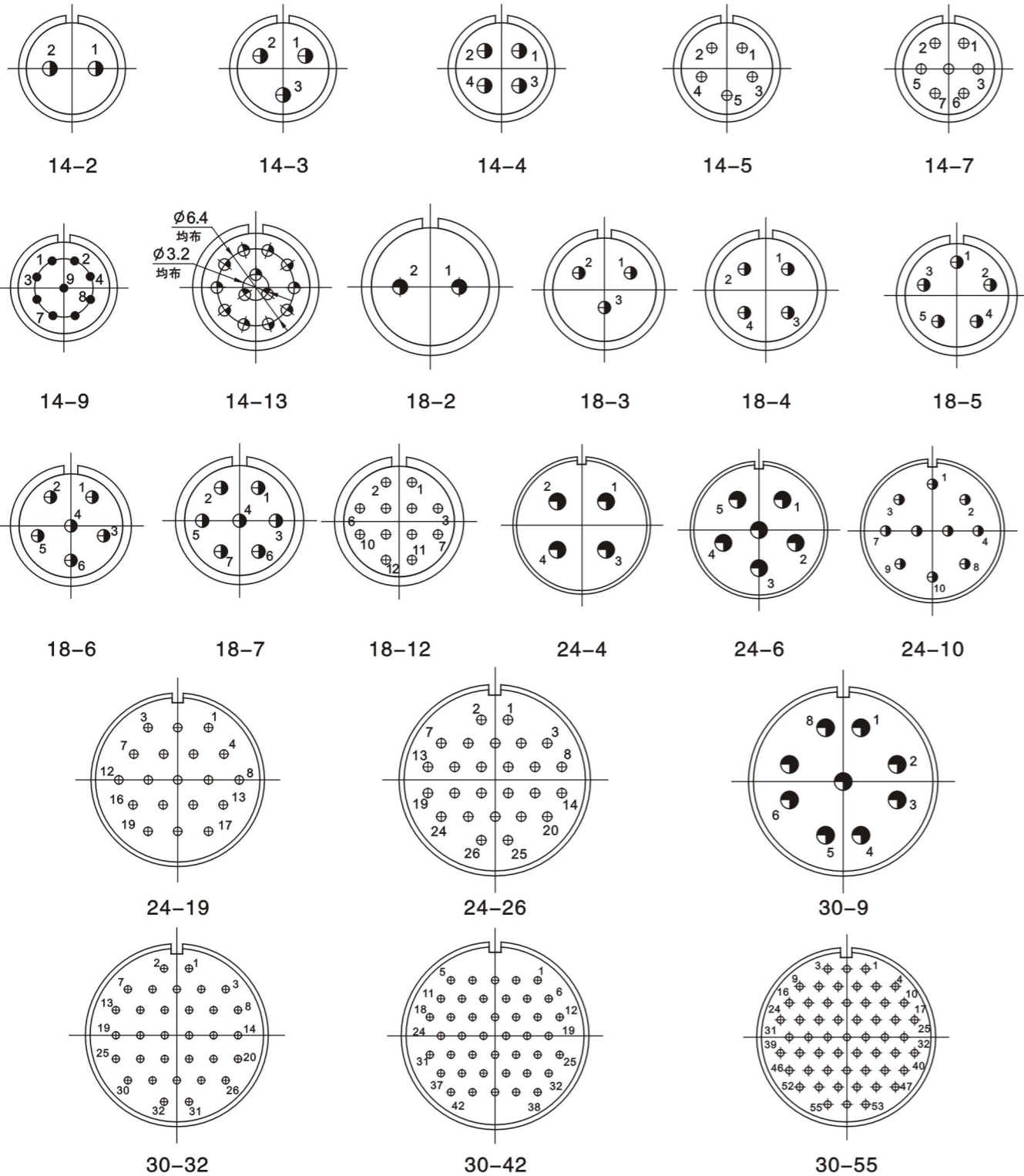
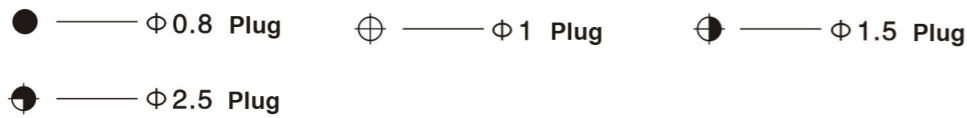
Test voltage (50Hz)

Contact center distance	Normal codition	After wet test
≥3.5mm	1500V	1000V
2.8mm	1200V	800V



The Hole Place Arranges (comply With The Needle Direction)
孔位排列 (从针的方向看)

附录一
接触件数目及排列



Dimensions
外型示意图

Plug	Type	D1	D2	L1	L2	sheath of electric	D3	L2	L3
	FQ14	Φ21	Φ12.2	21	5.4	Φ5 (电缆出孔)	Φ5	31.5	39.5
						Φ6 (电缆出孔)	Φ6	35	60
						Φ7 (电缆出孔)	Φ7	35	60
						Φ8 (电缆出孔)	Φ8	35	65
FQ18	Φ27	Φ16.6	21	5.4	Φ6 (电缆出孔)	Φ6	38	64	
					Φ9 (电缆出孔)	Φ9	38	69	
					Φ10 (电缆出孔)	Φ10	38	69	
FQ24	Φ33	Φ22.6	21	5.4	Φ6 (电缆出孔)	Φ6	46	72	
					Φ10 (电缆出孔)	Φ10	46	77	
					Φ12 (电缆出孔)	Φ12	46	77	
FQ30	Φ39.5	Φ28.6	21	5.4	Φ14 (电缆出孔)	Φ14	51	92.5	
					Φ16 (电缆出孔)	Φ16	51	92.5	

Socket	Type	a	b	D1	D2	D3
	FQ14	17 ± 0.2	24	Φ14	Φ12.2	Φ16.8
	FQ18	20 ± 0.2	27	Φ18	Φ16.6	Φ21.2
	FQ24	26 ± 0.2	33	Φ24	Φ22.6	Φ27
	FQ30	31 ± 0.1	38	Φ30	Φ28.6	Φ33.2

Plug	Type	D3	a	b	L1	sheath of electric	L2
	FQ14	17.8	17	24	21	Φ5	31.5
						Φ5.5	31.5
						Φ6	35
						Φ7	35
FQ18	21.2	22	27	21	Φ8	35	
					Φ6	38	
					Φ9	38	
FQ24	27.2	26	33	21	Φ10	38	
					Φ6	46	
					Φ10	46	
FQ30	33.2	31	38	21	Φ12	46	
					Φ14	51	
						Φ16	51

