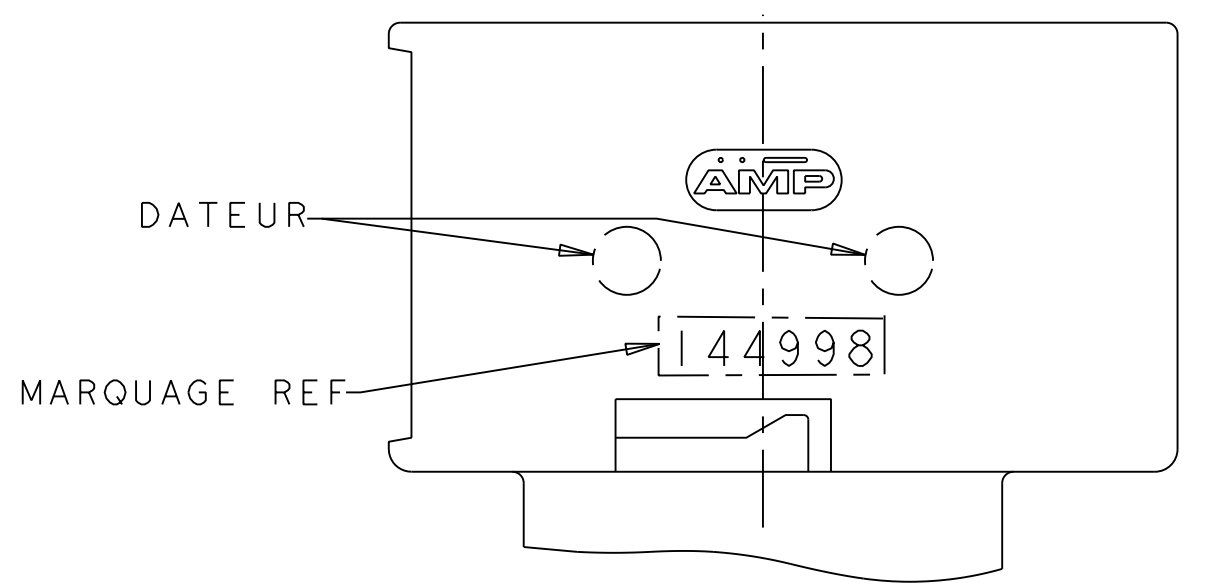
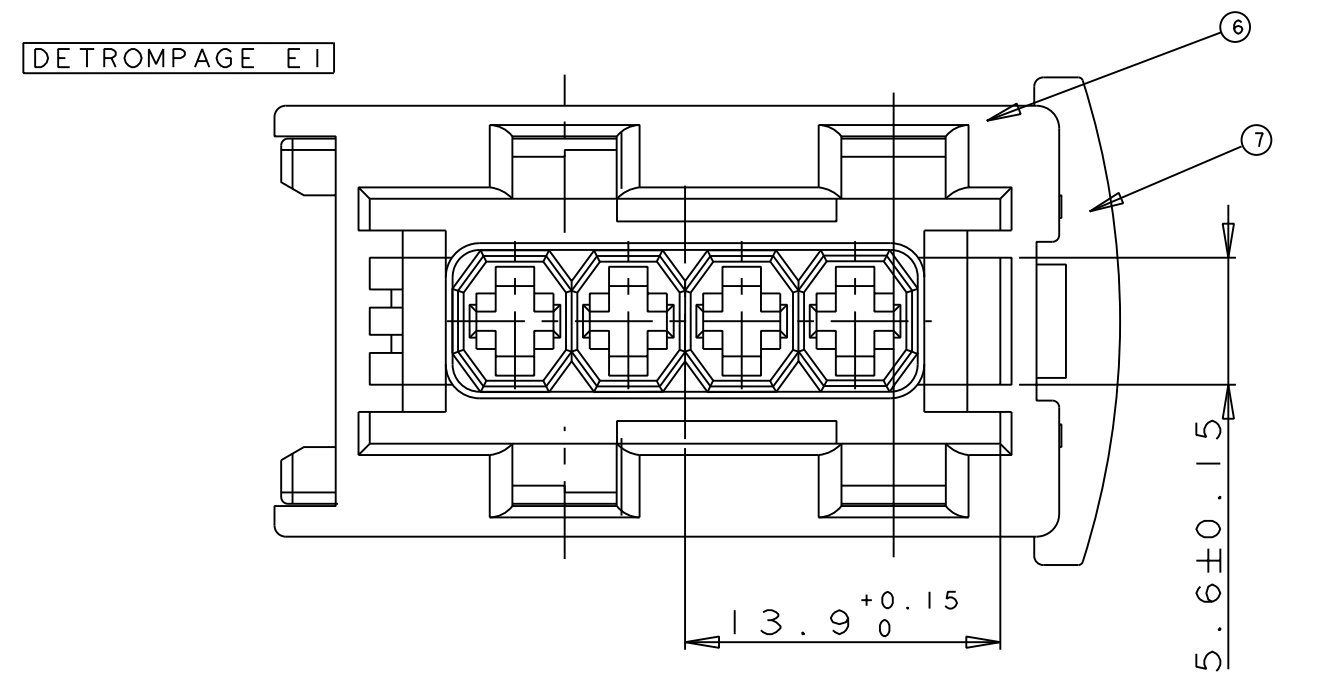
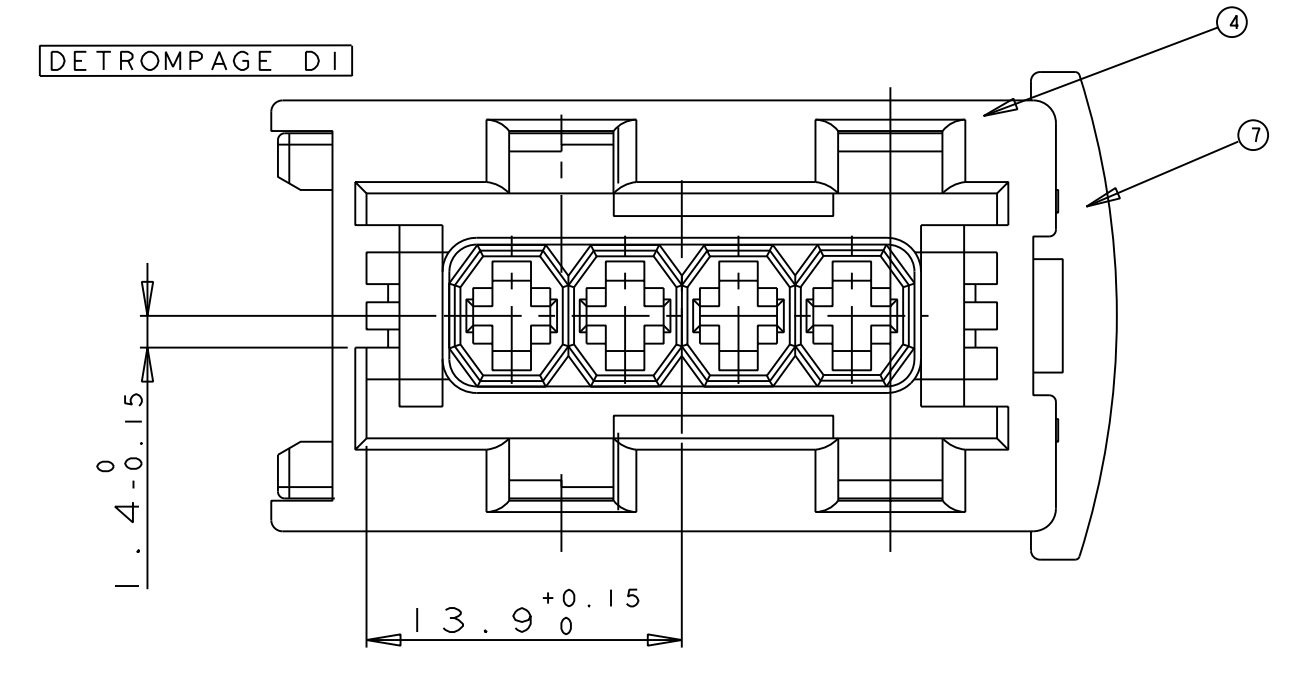
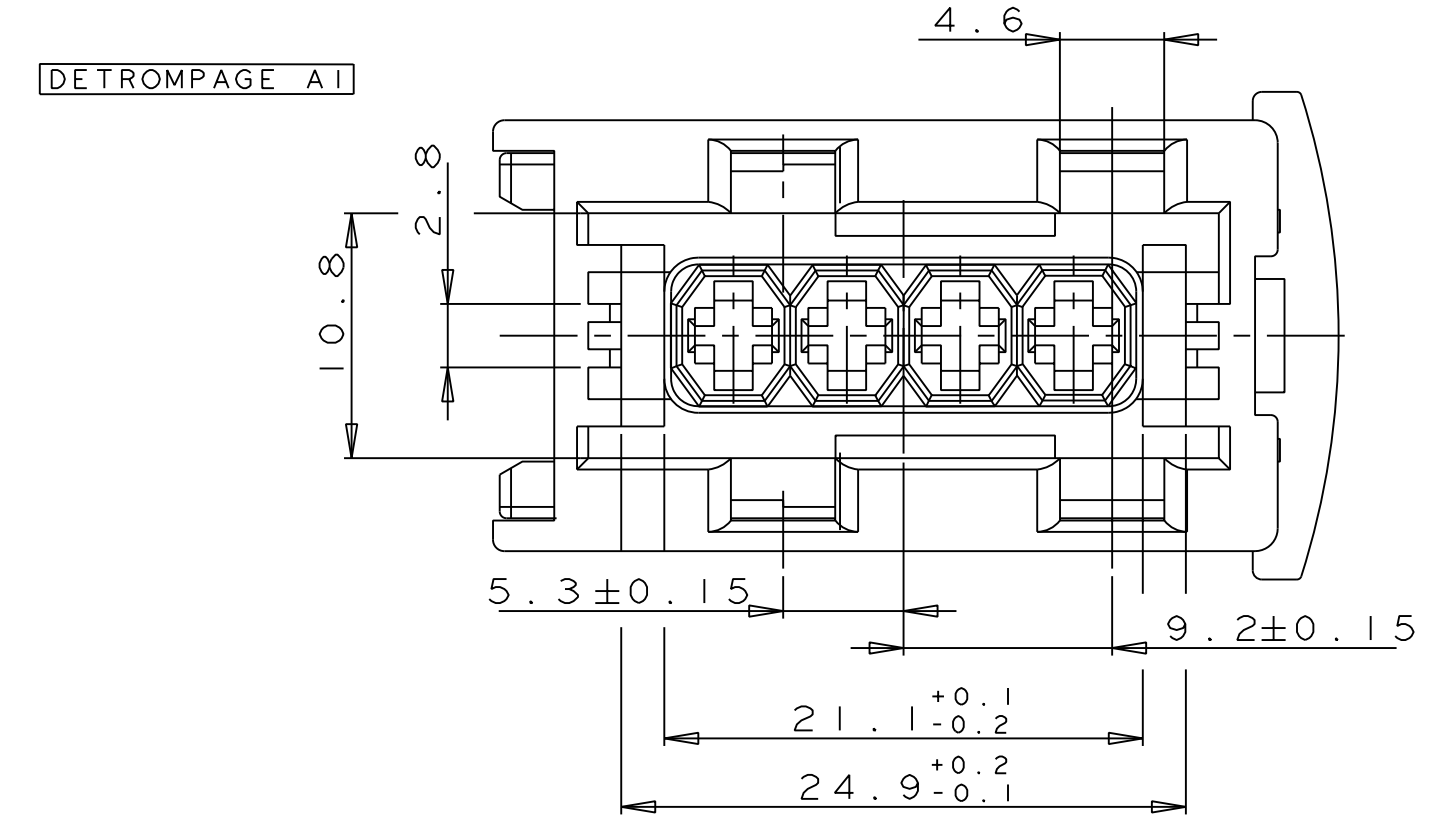
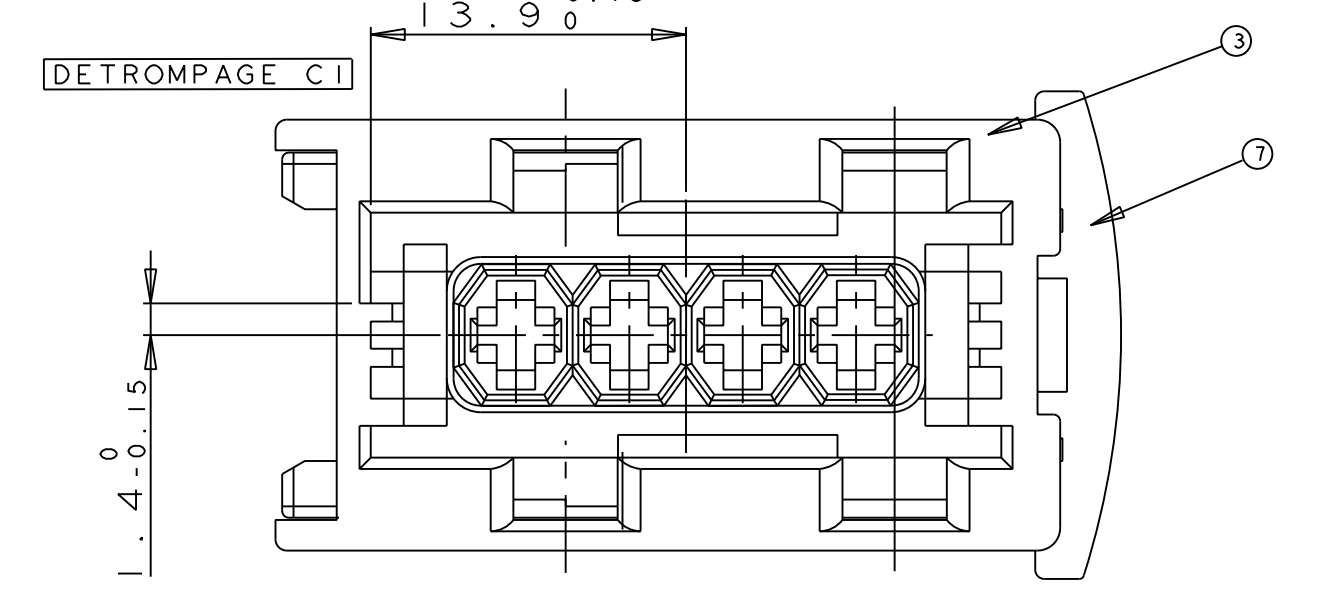
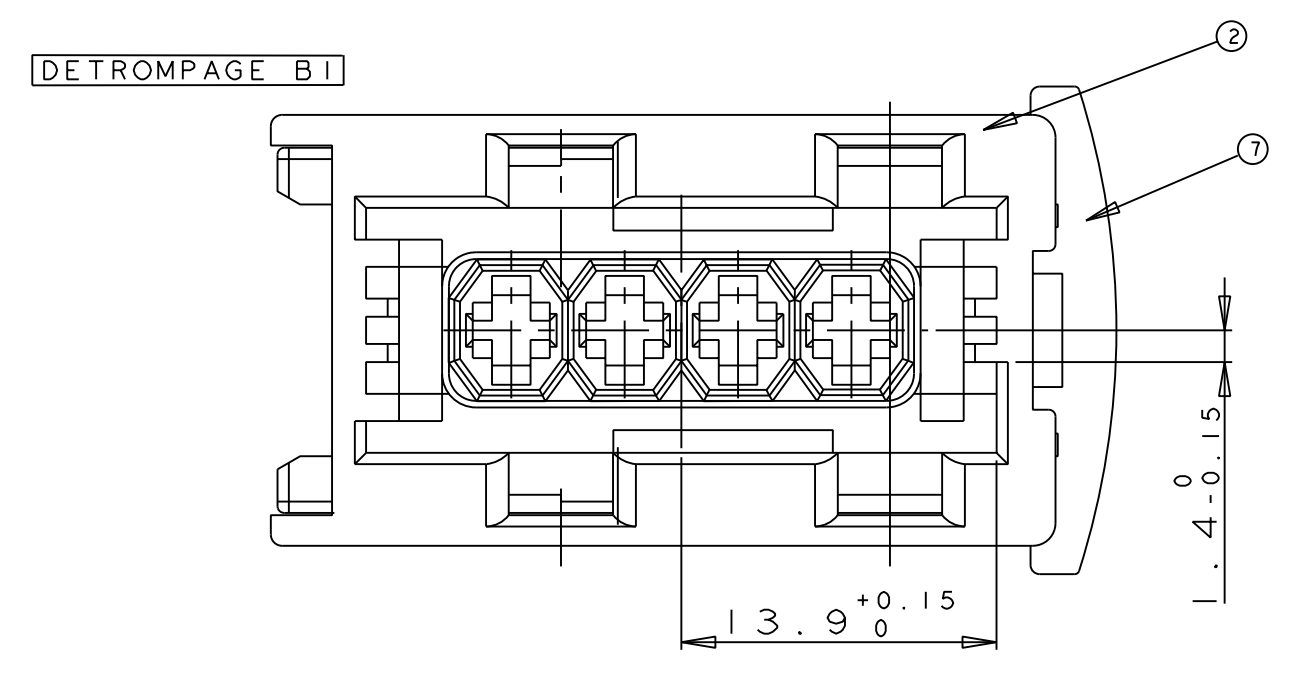
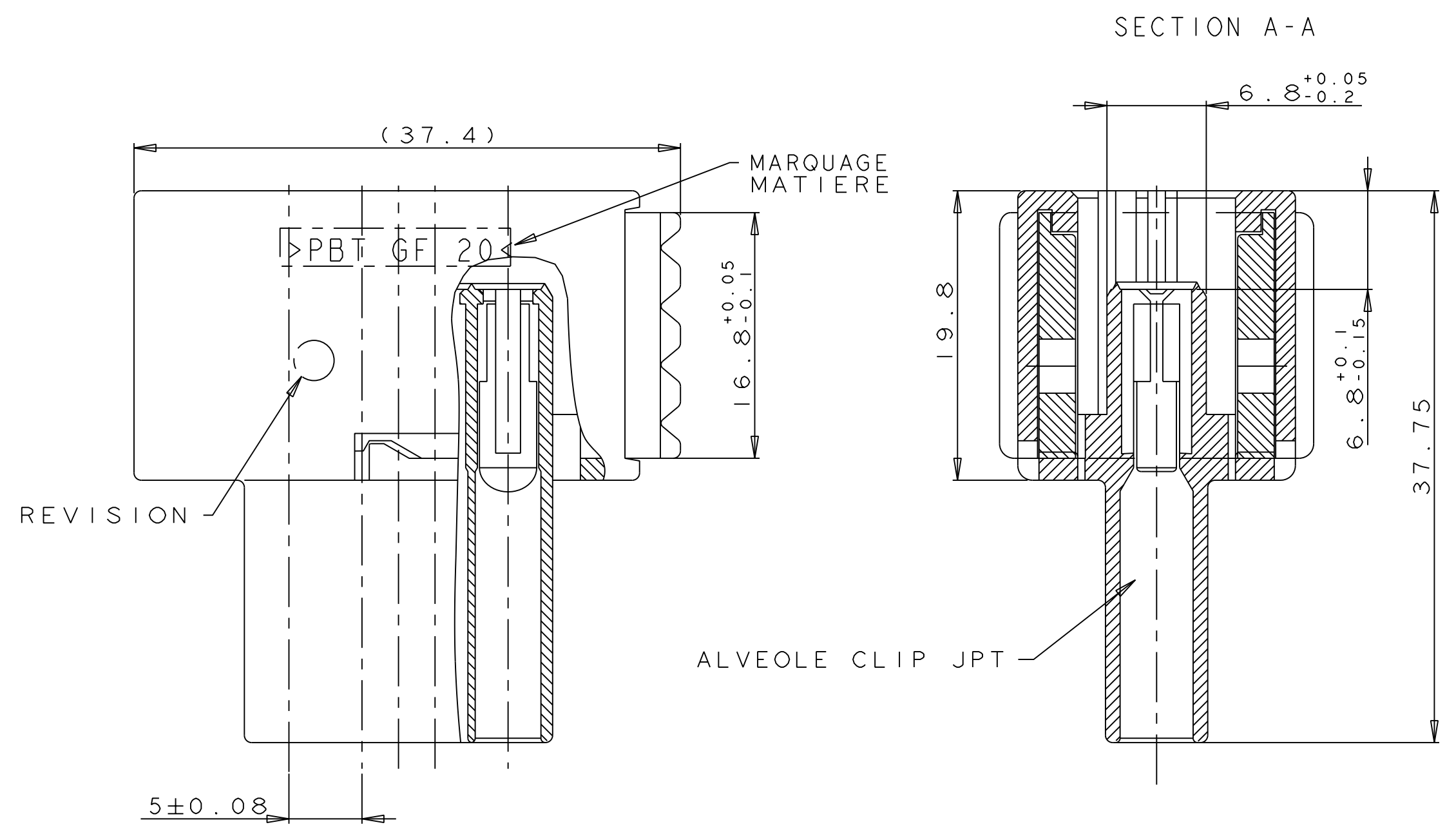
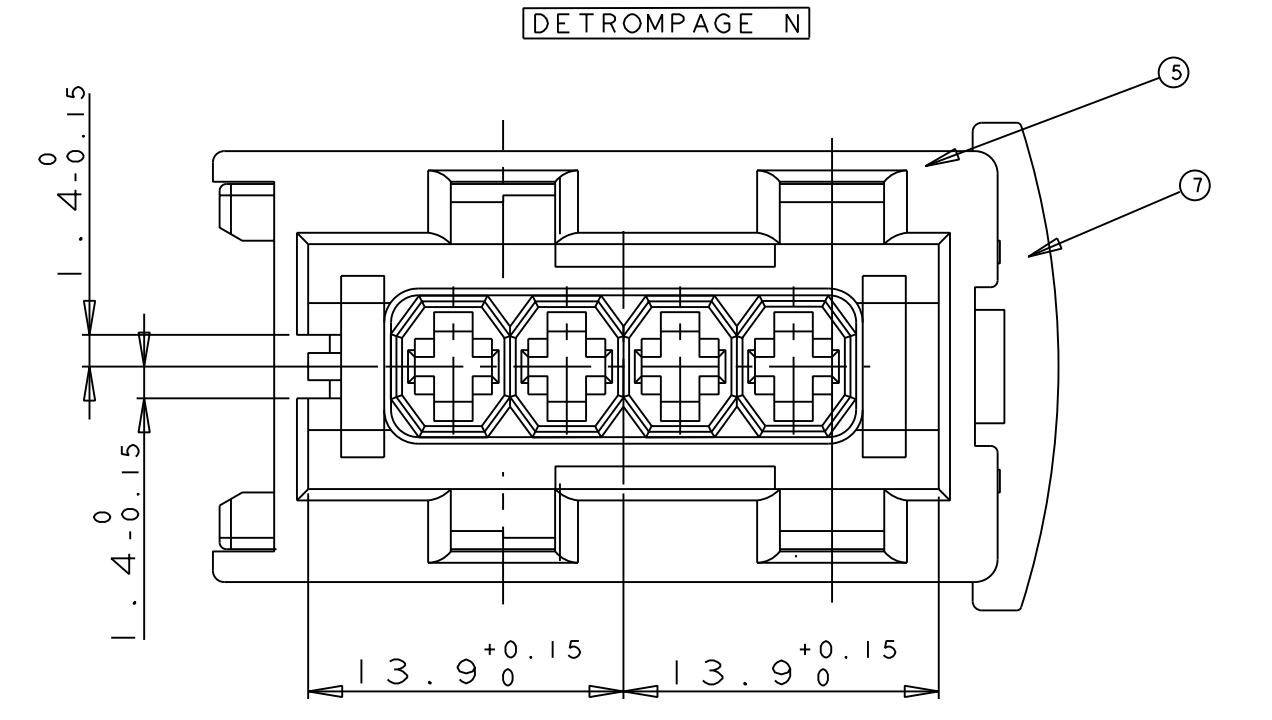
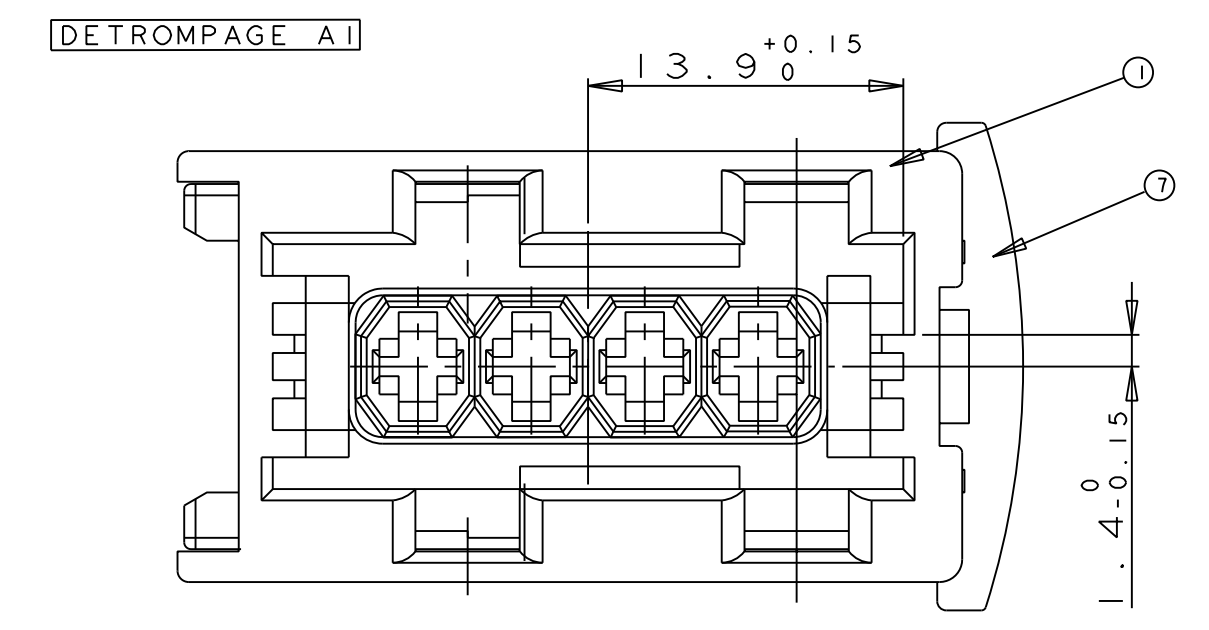
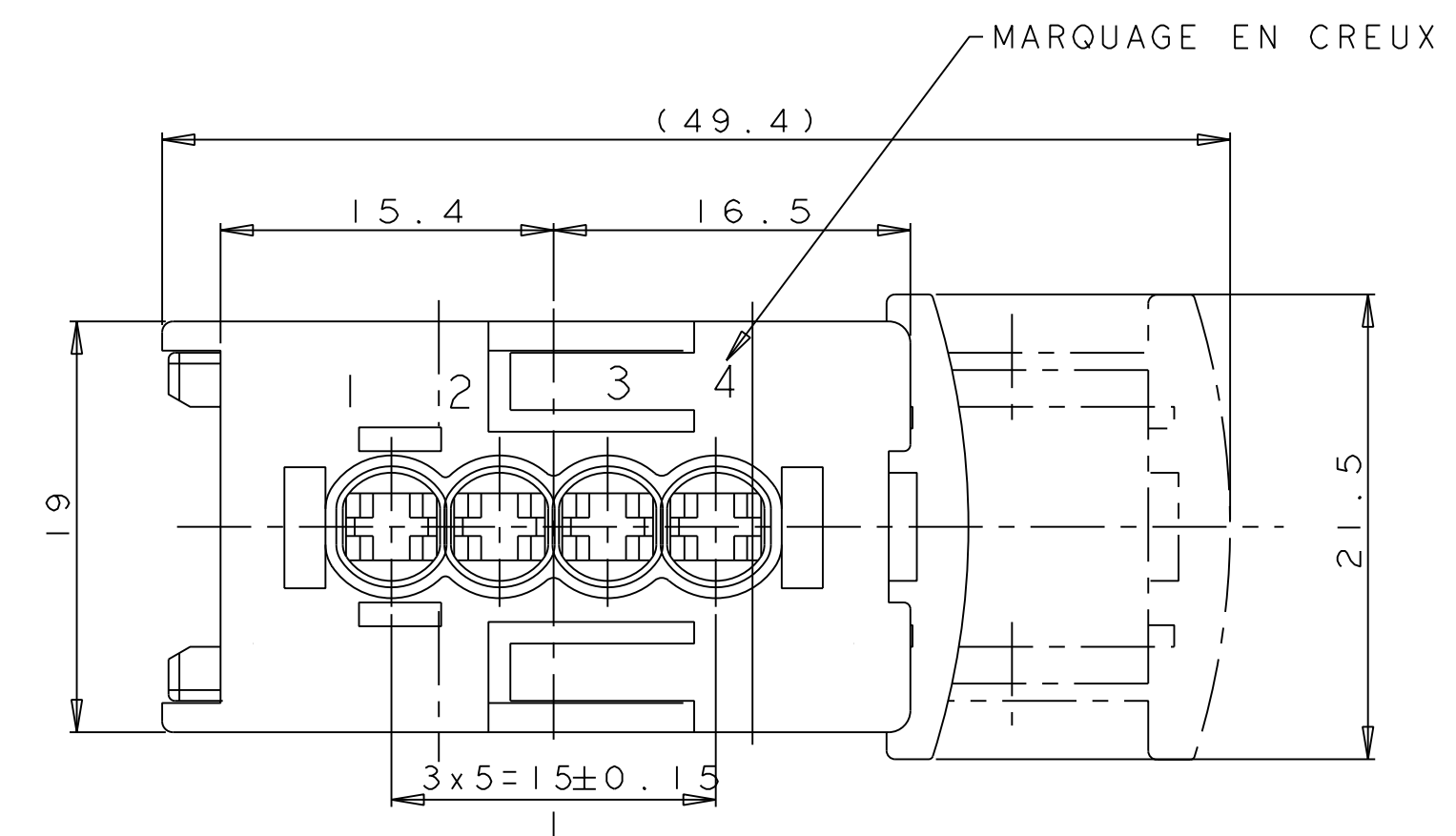


LOC	DIST	REVISIONS			
F	00	REV	DESCRIPTION	DATE	APP
		A1	REVISED PER ECO-11-005150	28MAR2011	HMR



REFERENCE TE CONNECTIVITY	COMPOSANT	DESIGNATION	MATIERE	COULEUR
144998-6	7	ETRIER	PBT 20% CV	ROUGE
BOITIER E1	6	PORTE-CLIP ETANCHE 4 VOIES JPT	PBT 20% CV	VERT
144998-5	7	ETRIER	PBT 20% CV	ROUGE
BOITIER N	5	PORTE-CLIP ETANCHE 4 VOIES JPT	PBT 20% CV	BLANC
144998-4	7	ETRIER	PBT 20% CV	ROUGE
BOITIER D1	4	PORTE-CLIP ETANCHE 4 VOIES JPT	PBT 20% CV	MARRON
144998-3	7	ETRIER	PBT 20% CV	ROUGE
BOITIER C1	3	PORTE-CLIP ETANCHE 4 VOIES JPT	PBT 20% CV	BLEU
144998-2	7	ETRIER	PBT 20% CV	ROUGE
BOITIER B1	2	PORTE-CLIP ETANCHE 4 VOIES JPT	PBT 20% CV	GRIS
144998-1	7	ETRIER	PBT 20% CV	ROUGE
BOITIER A1	1	PORTE-CLIP ETANCHE 4 VOIES JPT	PBT 20% CV	NOIR

THIS DRAWING IS A CONTROLLED DOCUMENT.

DMN/DESIGNE: 05MAY2008
C. SALGADO
CHK/VERIFIE: 06MAY2008
JP. PICAUD
APVD/APPROUVE: -

TE Connectivity

PORTES CLIPS ETANCHE 4 VOIES JPT

PRODUCT SPEC: PRODUCT 108-15103
APPLICATION SPEC: APPLICATION 411-15520

WEIGHT: MASSE APPROX. 0.0102Kg
FINISH: ANGLE: ±4°

SIZE: A1
CAGE CODE: 100779
DRAWING NO: 144998

CUSTOMER DRAWING / PLAN CLIENT

UNTOILET / SCALE: 3:1
SHEET / FEUILLE: 1 OF 1
REV: A1

Mouser Electronics

Authorized Distributor

Click to View Pricing, Inventory, Delivery & Lifecycle Information:

[TE Connectivity:](#)

[144998-5](#)