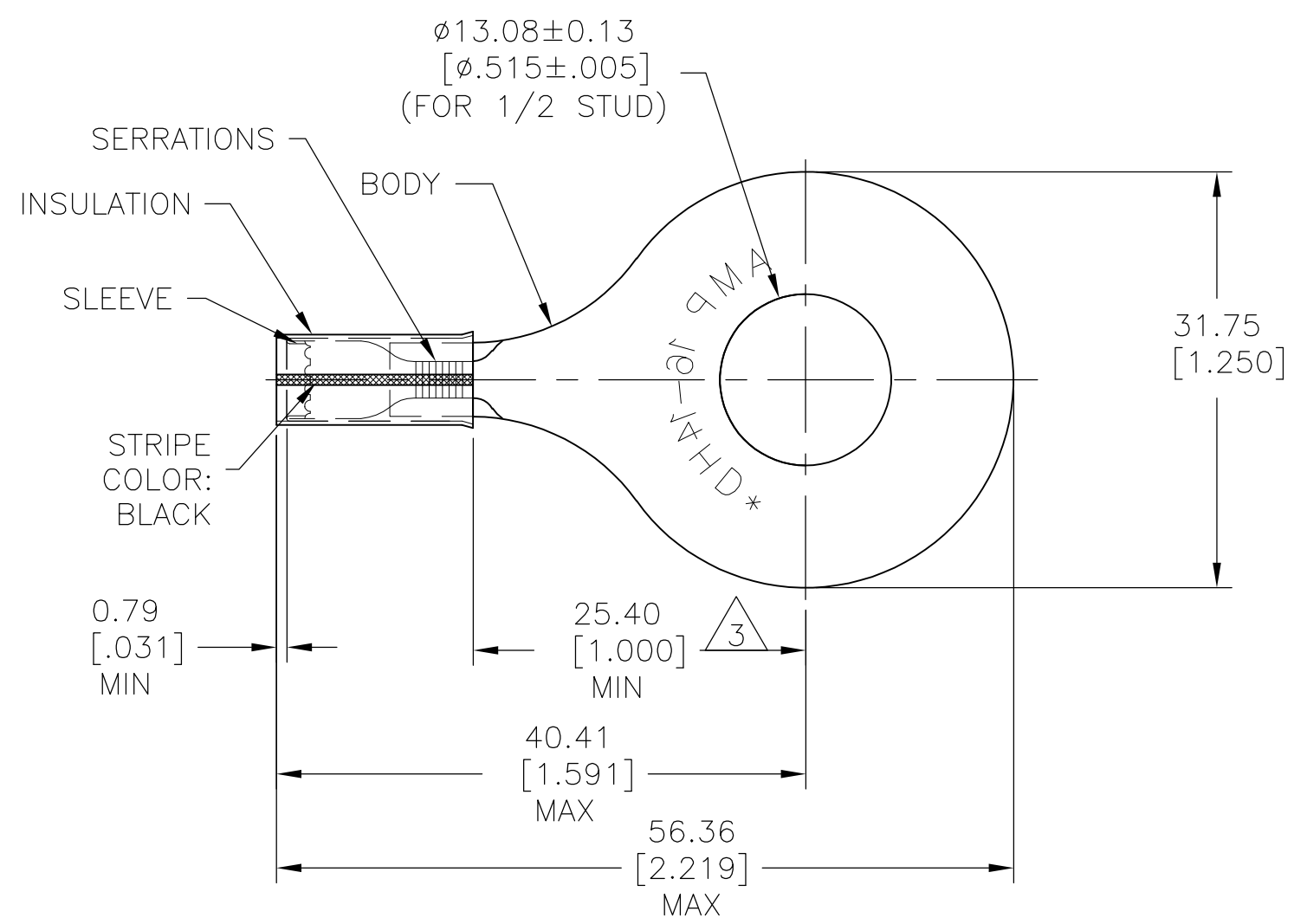


THIS DRAWING IS UNPUBLISHED. RELEASED FOR PUBLICATION
 © COPYRIGHT - By - ALL RIGHTS RESERVED.

LOC	DIST	REVISIONS					
		P	LTR	DESCRIPTION	DATE	DWN	APVD
G	14		D	REVISED PER ECO-14-015277	26FEB2015	NK	DR



- 1 FOR 3.81[.150] TO 6.35[.250] WIRE INSULATION DIA
- 2 TONGUE MATERIAL THK 1.22±0.05[.048±.002]
- △ 3 APPLIES FROM EDGE OF METAL BARREL TO CENTERLINE OF STUD HOLE.

QTY	DESCRIPTION	MATERIAL & FINISH	PART NO
1	WIRE TERMINAL	BODY: COPPER ASTM-B152 TIN PL ASTM-B545 SLEEVE: COPPER ASTM-B152 INSULATION: YELLOW NYLON	36203

THIS DRAWING IS A CONTROLLED DOCUMENT.		DWN RAGHAVEDRA 12JUN09	STE TE Connectivity		
DIMENSIONS: mm [INCHES]		CHK JEFF RUTH 12JUN09			
TOLERANCES UNLESS OTHERWISE SPECIFIED:		APVD TOM MICHIELUTTI 12JUN09	NAME WIRE TERMINAL PIDG - RING TONGUE WIRE SIZE: 16-14 HD		
0 PLC ± - 1 PLC ± - 2 PLC ± - 3 PLC ± 0.20[.008] 4 PLC ± - ANGLES ± .5°		PRODUCT SPEC -	RESTRICTED TO -		
MATERIAL -		APPLICATION SPEC -	SIZE A3	CAGE CODE 00779	DRAWING NO C-36203
FINISH -		WEIGHT -	CUSTOMER DRAWING		SCALE 2:1
		SHEET 1 OF 1		REV D	

Mouser Electronics

Authorized Distributor

Click to View Pricing, Inventory, Delivery & Lifecycle Information:

[TE Connectivity:](#)

[36203](#)