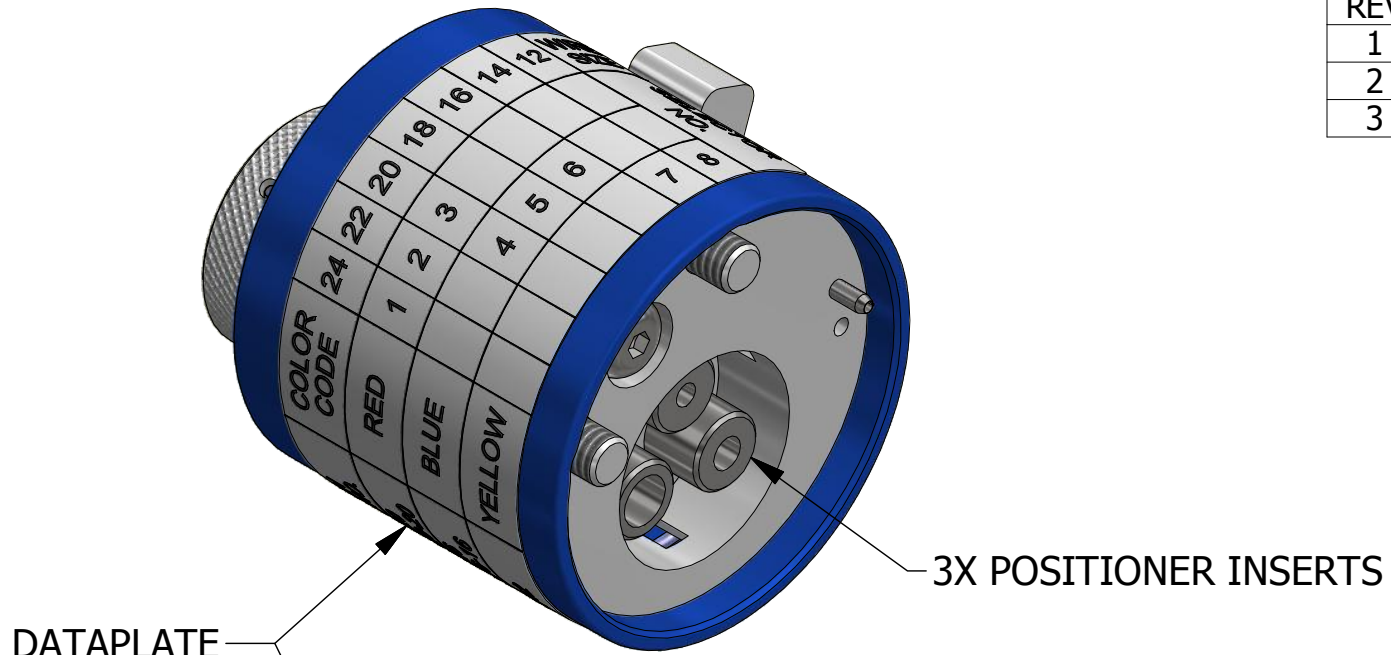


REVISIONS						
REV	ECO NO.	DESCRIPTION	BY	DATE	APP'D BY	DATE
1		ORIGINAL RELEASE	AAM	1/20/1986	RRR	1/21/1986
2		.081 & .113 WERE .096 & .134	AAM	10/14/1999	RRR	10/14/1999
3	23573	UPDATED & REDRAWN	TonyD	4/6/2015		

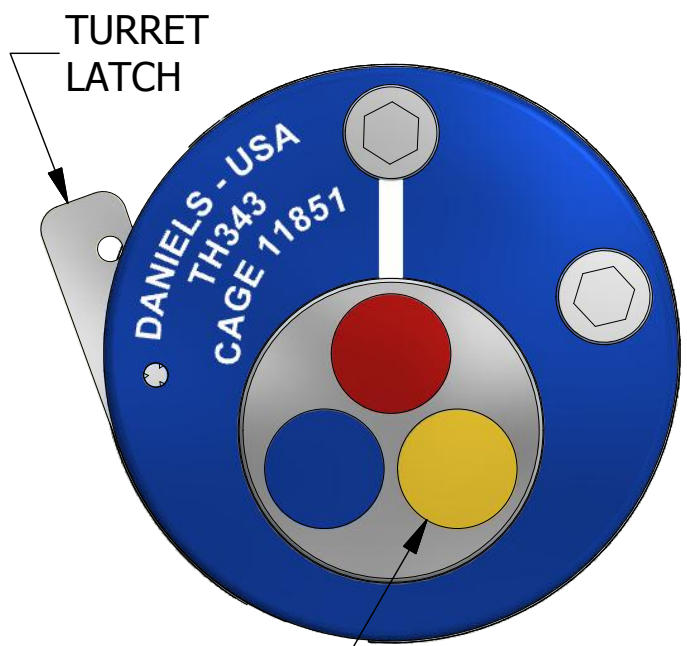
**UNCONTROLLED DOCUMENT
WILL NOT BE UPDATED**

DIMENSIONS IN INCHES - UNLESS OTHERWISE SPECIFIED

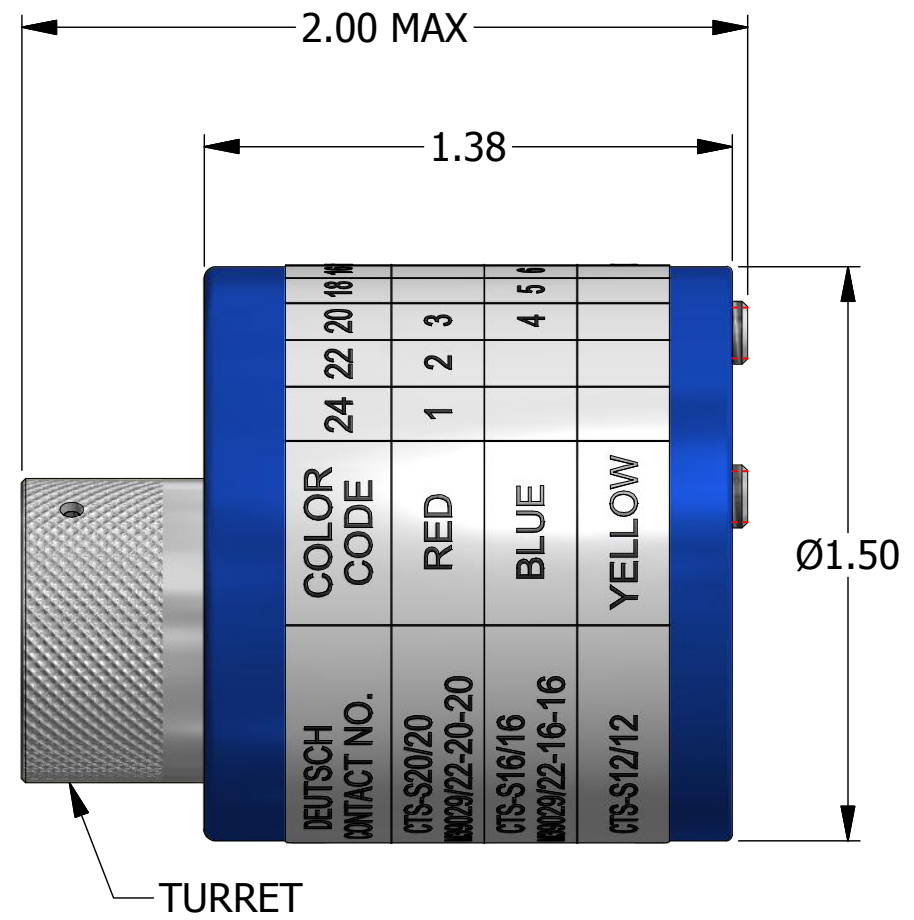


DEUTSCH CONTACT NO.	COLOR CODE	24	22	20	18	16	14	12	WIRE SIZE	SELECTOR NO.
CTS-S20/20 M39029/22-20-20	RED	1	2	3						
CTS-S16/16 M39029/22-16-16	BLUE			4	5	6				
CTS-S12/12	YELLOW						7	8		

INSERT COLOR	HOLE DIMENSIONS	ADDITIONAL FEATURES
RED	Ø.081 ▽.153	
BLUE	Ø.113 ▽.153	
YELLOW	Ø.172 ▽.207	



RANDOM ORDER OF ROTATION IS ACCEPTABLE FOR POSITIONER INSERTS



<p style="text-align: center;">RESTRICTED & CONFIDENTIAL</p> <p style="font-size: small;">CONFIDENTIAL PROPERTY OF DANIELS MANUFACTURING CORP. NOT TO BE DISCLOSED TO OTHERS. REPRODUCTION OR USED FOR ANY OTHER PURPOSE EXCEPT AS AUTHORIZED IN WRITING BY DANIELS MANUFACTURING. MUST BE RETURNED TO DANIELS MANUFACTURING CORP. ON COMPLETION OF ORDER OR PURPOSES FOR WHICH LENT.</p> <p style="text-align: center;">CREATED FROM AN INVENTOR MODEL. CHANGES MUST BE REFLECTED IN THE 3D PART</p> <p style="text-align: center;">DO NOT SCALE DRAWING</p>		MATERIAL	ITEM	PART NO.	QTY.	DESCRIPTION / REMARKS
		N/A	DRN. A. MOO-YOUNG CHK'D.	DATE 10/14/1999 DATE		DANIELS MANUFACTURING CORP. ORLANDO, FLORIDA CAGE 11851
		HEAT TREAT	NOTE:		TITLE	
		N/A	THIS DRAWING IS AN OUTLINE DRAWING OF THE RESPECTIVE DMC PART NUMBER INDICATED. ACTUAL DMC PART NUMBER IS CAD PART NUMBER WITHOUT THE "-ENV" SUFFIX		TURRET HEAD (M22520/1-18) ENVELOPE DRAWING WHERE USED: AF8	
		FINISH			SIZE	SHEET
		N/A			B	1 OF 1
					SCALE	REV.
					2 : 1	3
					CAD P/N	
					TH343-ENV	
					DWG. NO.	
					TH343	

Mouser Electronics

Authorized Distributor

Click to View Pricing, Inventory, Delivery & Lifecycle Information:

[Daniels Manufacturing:](#)

[TH343](#)