

THIS DRAWING IS UNPUBLISHED.

RELEASED FOR PUBLICATION

LOC FT

DIST 0

REVISIONS

© COPYRIGHT - By -

ALL RIGHTS RESERVED.

P	LTR	DESCRIPTION	DATE	DWN	APVD
	A3	REVISED PER ECO-10-024406	25JUL11	HMR	CR

NOTES:

MATERIAL:

HOUSING: PBT, UL94V-0, COLOR: BLACK.
 TERMINAL: BRASS, TIN PLATED.
 SCREW: M3, STEEL, NICKEL PLATED.
 COVER: PC.

ELECTRICAL:

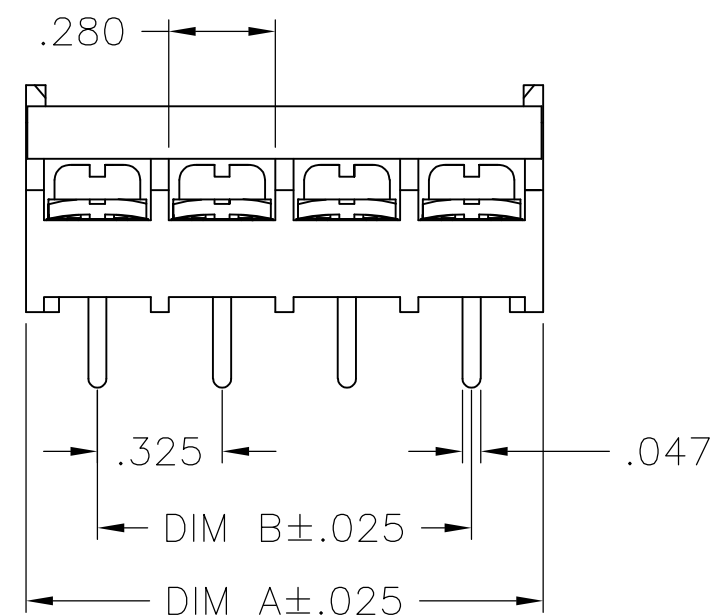
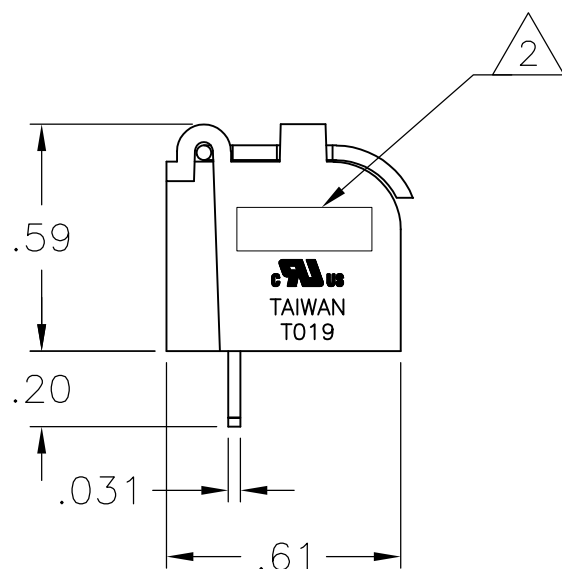
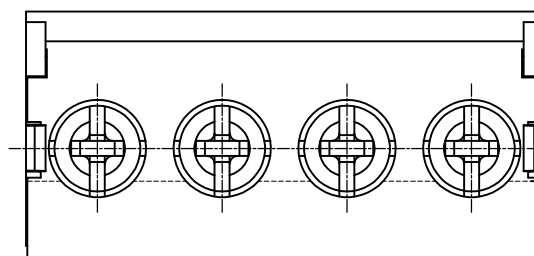
CURRENT RATING: 15A, 300V.
 WIRE RANGE: 14-22 AWG.

MECHANICAL:

OPERATION TEMP: -40°C TO +120°C.

1 PRELIMINARY PART NUMBER.

2 TE LOGO LOCATED APPROXIMATE AREA SHOWN.



1	9.797	9.425	30	3-1546927-0
1	9.472	9.100	29	2-1546927-9
1	9.147	8.775	28	2-1546927-8
1	8.822	8.450	27	2-1546927-7
1	8.497	8.125	26	2-1546927-6
1	8.172	7.800	25	2-1546927-5
1	7.847	7.475	24	2-1546927-4
1	7.522	7.150	23	2-1546927-3
1	7.197	6.825	22	2-1546927-2
1	6.872	6.500	21	2-1546927-1
1	6.547	6.175	20	2-1546927-0
1	6.222	5.850	19	1-1546927-9
1	5.897	5.525	18	1-1546927-8
1	5.572	5.200	17	1-1546927-7
1	5.247	4.875	16	1-1546927-6
1	4.922	4.550	15	1-1546927-5
1	4.597	4.225	14	1-1546927-4
1	4.272	3.900	13	1-1546927-3
1	3.947	3.575	12	1-1546927-2
1	3.622	3.250	11	1-1546927-1
1	3.297	2.925	10	1-1546927-0
	2.972	2.600	9	1546927-9
	2.647	2.275	8	1546927-8
	2.322	1.950	7	1546927-7
	1.997	1.625	6	1546927-6
	1.672	1.300	5	1546927-5
	1.347	.975	4	1546927-4
	1.022	.650	3	1546927-3
	.697	.325	2	1546927-2
DIM. A	DIM. B	NO. OF POS.	TE PART NO.	

THIS DRAWING IS A CONTROLLED DOCUMENT.		DWN S SCHLEGEL 21JAN04	STE TE Connectivity															
		CHK S YODER 1/22/04																
DIMENSIONS: INCHES		APVD S YODER 1/22/04	NAME															
TOLERANCES UNLESS OTHERWISE SPECIFIED:		PRODUCT SPEC	TERMINAL BLOCK, .325 TRI BARRIER W/ COVER															
<table border="0"> <tr><td>0 PLC</td><td>± -</td></tr> <tr><td>1 PLC</td><td>± -</td></tr> <tr><td>2 PLC</td><td>± .02</td></tr> <tr><td>3 PLC</td><td>± .010</td></tr> <tr><td>4 PLC</td><td>± -</td></tr> <tr><td>ANGLES</td><td>± -</td></tr> </table>		0 PLC	± -	1 PLC	± -	2 PLC	± .02	3 PLC	± .010	4 PLC	± -	ANGLES	± -	APPLICATION SPEC	SIZE	CAGE CODE	DRAWING NO	RESTRICTED TO
0 PLC	± -																	
1 PLC	± -																	
2 PLC	± .02																	
3 PLC	± .010																	
4 PLC	± -																	
ANGLES	± -																	
MATERIAL		WEIGHT	A3 00779		C=1546927	-												
FINISH		CUSTOMER DRAWING		SCALE	SHEET	REV												
				NTS	1 OF 1	A3												

Mouser Electronics

Authorized Distributor

Click to View Pricing, Inventory, Delivery & Lifecycle Information:

[TE Connectivity:](#)

[1546927-2](#) [1546927-5](#)