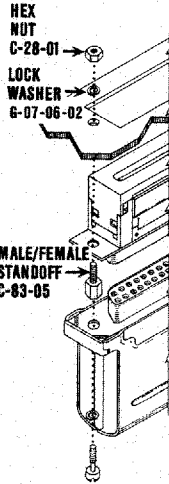
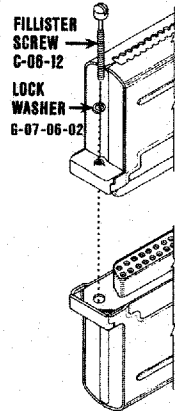


## Hardware Mounting Kits for Metal Faced D-Connectors

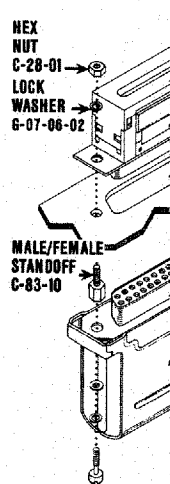
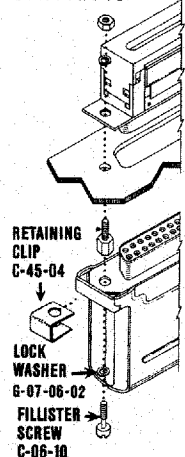
To order, specify CWN-HK-XX.

**CWN-HK-07**  
Two 4-40 screws and washers for midspan splices of two CW D-Subminiature connectors with the CW EMI/RFI shield.



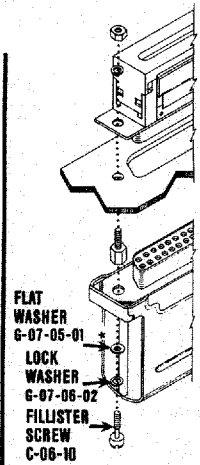
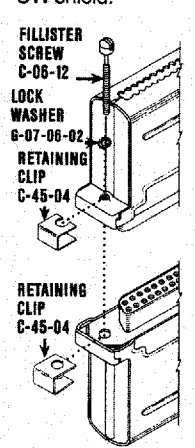
**CWN-HK-08**  
Two 4-40 standoffs with lock washers and hex nuts for front panel mounting of D-Subminiature connector with metal face.

**CWN-HK-09**  
Two 4-40 screws, lock washers and retaining clips for mounting other manufacturers' D-Subminiatures in the CW shield and mating to CWN-HK-10.



**CWN-HK-10**  
Two 4-40 standoffs with lock washers and nuts for rear panel mounting of D-Subminiature connector with metal face.

**CWN-HK-11**  
Two 4-40 screws, lock washers and four retaining clips for mid span splices of other manufacturers' D-Subminiature connectors in the CW shield.



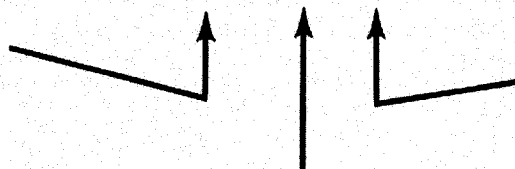
**CWN-HK-12**  
Two 4-40 screws with four washers for mating CW D-Subminiature connectors with the CW EMI/RFI shield to front or rear panel mounted connector. \*Flat washer not used when mated with front panel mounted connector.

## How to Order D-Subminiature Connectors with Metal Face

Type of Connector

- 282 = D-Subminiature with metal face for cable end terminations, pin contact (Standard)
- 283 = D-Subminiature with metal face for cable end terminations, socket contact (Standard)
- 280 = D-Subminiature connector with metal face for daisy chain applications, pin contact
- 281 = D-Subminiature connector with metal face for daisy chain applications, socket contact

**CWR-XXX-XX-00XX**



Number of Contacts  
(9, 15, 25 or 37)

Plating

- 0021 = 30μ in. gold (in mating area) over 50μ in. nickel (standard)
- 0000 = 10μ in. gold (in mating area) over 50μ in. nickel
- 0022 = 50μ in. gold (in mating area) over 50μ in. nickel **Mil-C-24308 approved.**
- 0003 = 100μ in. tin-lead

## How to Order EMI/RFI Shield

Type of Shield

- 292 = Shield for cable end terminations
- 290 = Shield for daisy chain terminations

**CWN-XXX-XX-8901**

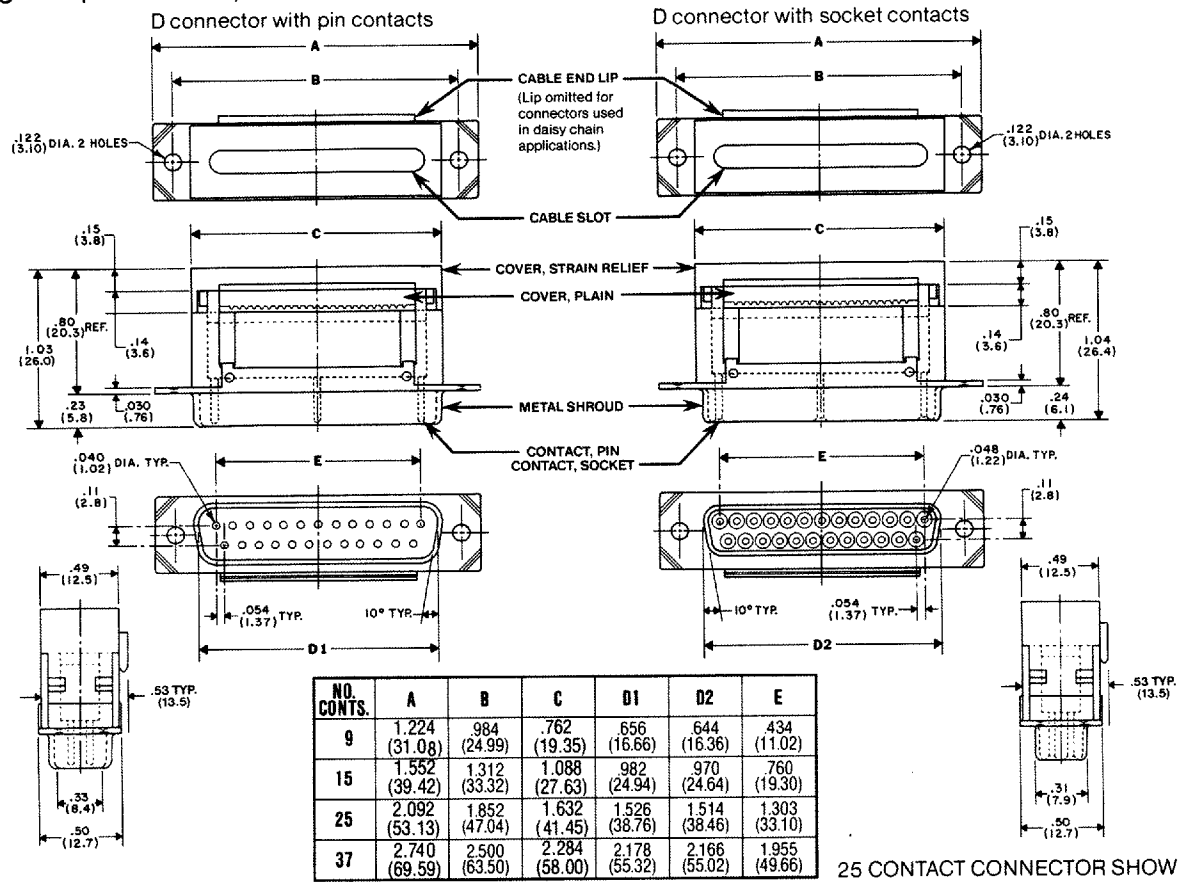


Size  
(09, 15, 25, 37)

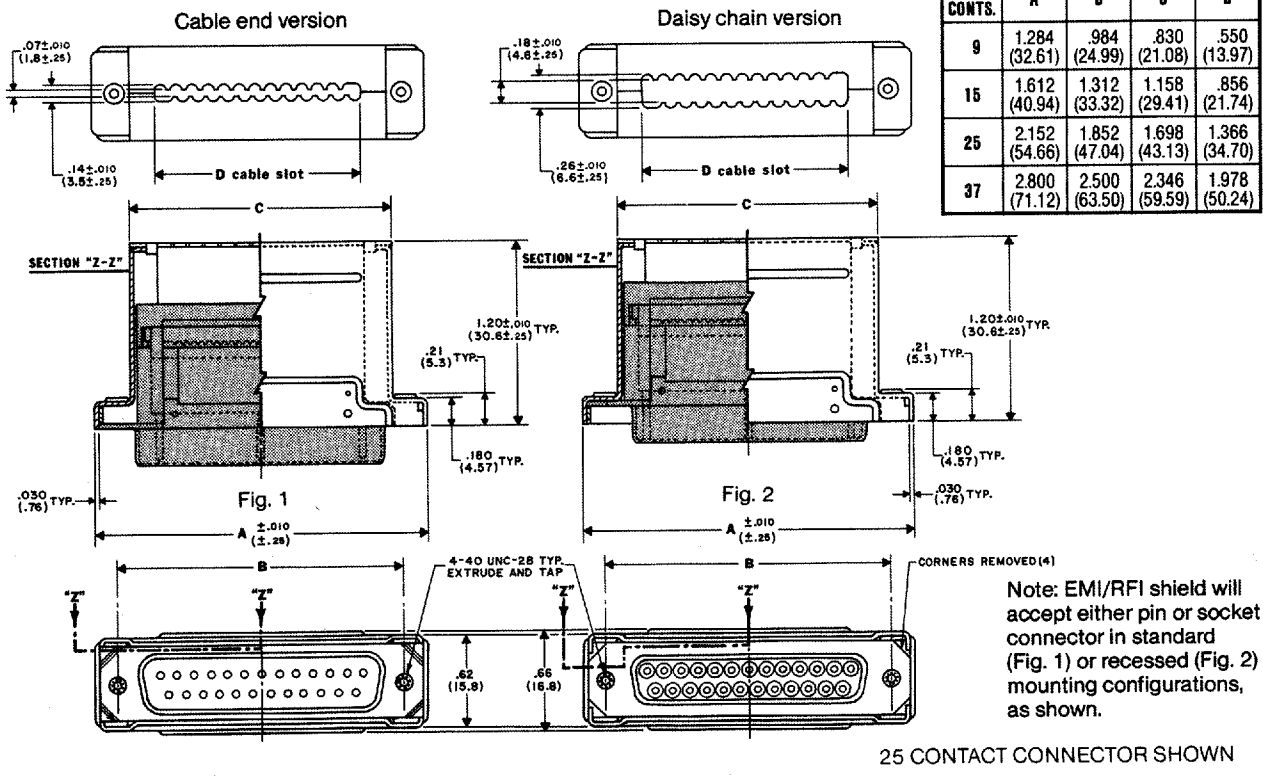
Note: For information on 100% tested, ready-to-use cable assemblies, contact the factory or your local value-added distributor.

REVISIONS	Tolerances unless otherwise specified: 2 PLACE DEC. ±.010 3 PLACE DEC. ±.005 ANGLES ±1°	<b>CW INDUSTRIES</b> 130 James Way Southampton, PA 18966
	L. Webber DRAWN BY	
	CHECKED BY ENG. CDR.	PART NO.

**D-Subminiature connectors with metal face**  
(Bright tin-plated C.R.S.)



**EMI/RFI Shield (Bright tin-plated C.R.S.)**



D 97E ■ 1783950 0001360 10T ■

# Mouser Electronics

Authorized Distributor

Click to View Pricing, Inventory, Delivery & Lifecycle Information:

[CW Industries:](#)

[CWR-280-09-0021](#) [CWR-282-15-0000](#) [CWR-282-09-0000](#)