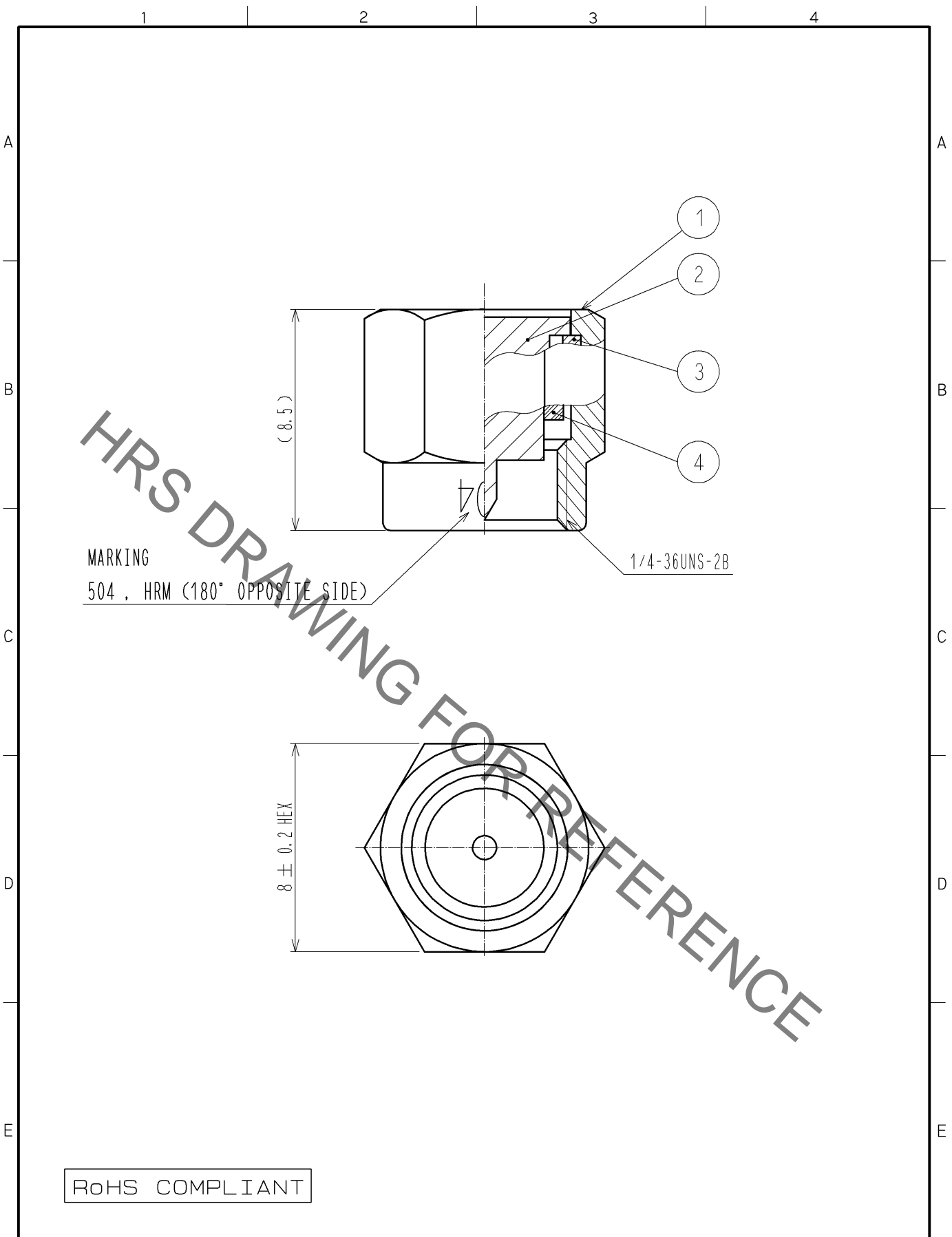


Aug.1.2020 Copyright 2020 HIROSE ELECTRIC CO., LTD. All Rights Reserved.  
 In case of consideration for using Automotive equipment / device which demand high reliability, kindly contact our sales window correspondents.



RoHS COMPLIANT

2	STAINLESS STEEL	GOLD PLATING	4	SILICONE RUBBER	
1	STAINLESS STEEL	GOLD PLATING	3	BERYLLIUM COPPER	NICKEL PLATING
NO.	MATERIAL	FINISH . REMARKS	NO.	MATERIAL	FINISH . REMARKS

UNITS mm		SCALE 5 : 1	COUNT 	DESCRIPTION OF REVISIONS	DESIGNED	CHECKED	DATE
-------------	--	----------------	-----------	--------------------------	----------	---------	------

HIROSE ELECTRIC CO., LTD.	APPROVED : MH. YAMANE	11. 04. 25	DRAWING NO.	EDC4-004816-09
	CHECKED : NK. NINOMIYA	11. 04. 23	PART NO.	HRM-504(09)
	DESIGNED : YI. FUNADA	11. 04. 20	CODE NO.	CL323-0032-5-09
	DRAWN : YI. FUNADA	11. 04. 20		1/1

# Mouser Electronics

Authorized Distributor

Click to View Pricing, Inventory, Delivery & Lifecycle Information:

[Hirose Electric:](#)

[HRM-504\(09\)](#)