



# DC axial fans

Series 3400 NU 92 x 92 x 25 mm



**Highlights:**

- Motor protection against reverse polarity and locking.
- Air exhaust over struts
- Connection via 310 mm strands AWG 24, TR 64, bared and tin-plated
- Ingress protection rating of IP68

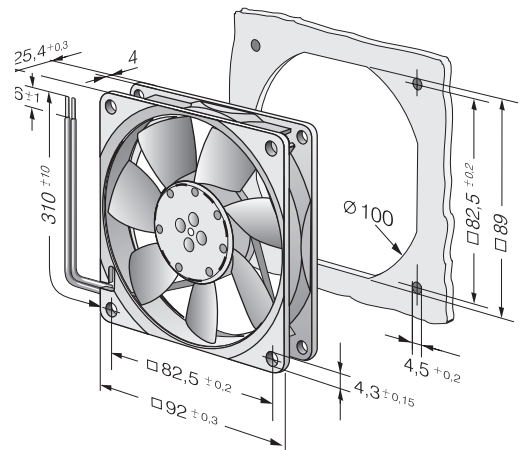
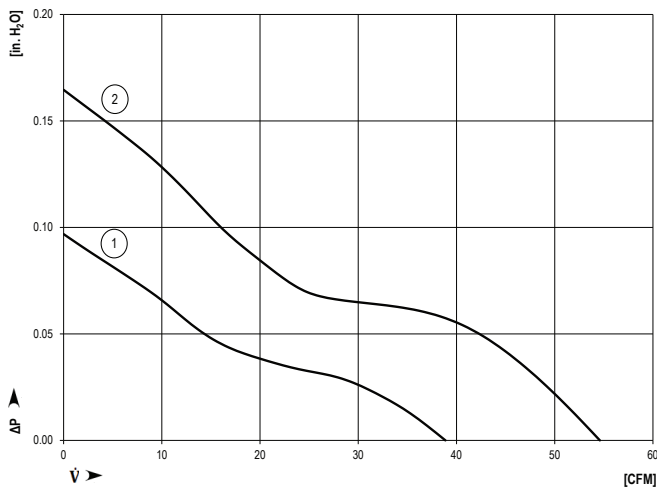
**Material:** Housing: Fiberglass-reinforced PBT composite  
 Impeller: Fiberglass-reinforced PA composite

**Direction of rotation:** Counterclockwise, seen on rotor

**Nominal Data**

Type	Air flow CFM	Nominal voltage VDC	Voltage range VDC	Sound pressure level dB(A)	Sound power level Bel(A)	Ball bearings	Power input Watts	Speed RPM	Temperature range °C	Mass g	Ingress Protection Rating	UL Approval	Curves
3414 NMU-603	<b>42.4</b>	24	18...28	28	4.3	Yes	1.4	2300	-20...70	100	IP68	Yes	1
3414 NHU	<b>55.3</b>	24	18...26	36	5.0	Yes	2.3	3000	-20...70	106	IP68	Yes	2

**Curves**



# Mouser Electronics

Authorized Distributor

Click to View Pricing, Inventory, Delivery & Lifecycle Information:

[ebm-papst:](#)

[3414NHU](#) [3414NMU-603](#)