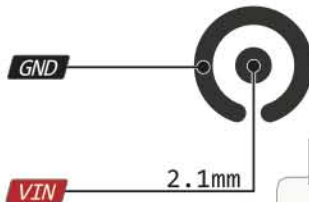


UNO PINOUT

7-12V Depending on current drawn

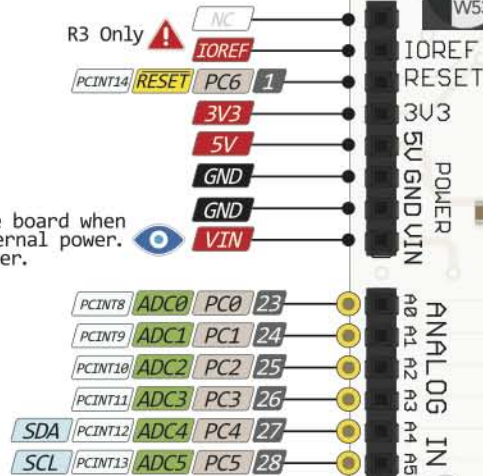


Absolute MAX per pin 40mA recommended 20mA

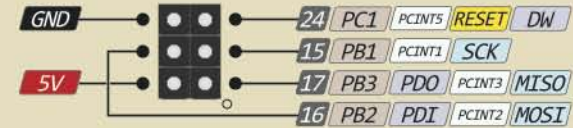
Absolute MAX 200mA for entire package

IOREF provides a logic reference voltage for shields that use it. It is connected to the 5V bus.

The input voltage to the board when it is running from external power. Not USB bus power.



ATMEGA 8U2/16U2 ICSP

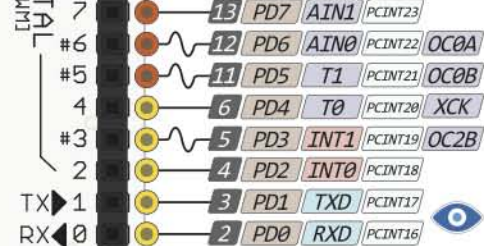


R3 Only

- Power
- GND
- Serial Pin
- Analog Pin
- Control
- INT
- Physical Pin
- Port Pin
- Pin function
- Interrupt Pin
- Port Power

Cut to disable autoreset

DIGITAL
 #13
 #12
 #11
 #10
 #9
 #8
 #7
 #6
 #5
 #4
 #3
 #2
 TX
 RX



Connected to the ATmega and used for USB program and communicating with it

The power sum for each pin's group should not exceed 100mA

