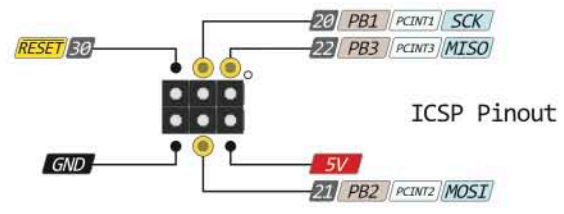
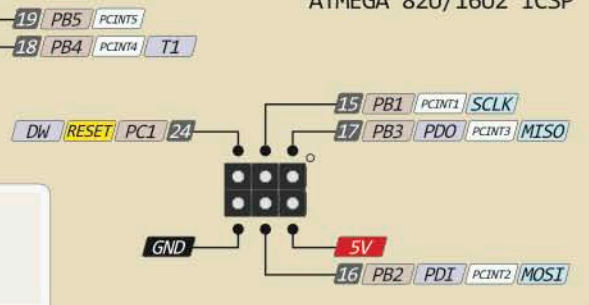


# MEGA PINOUT



## ATMEGA 82U/16U2 ICSP



7-12V Depending on current drawn

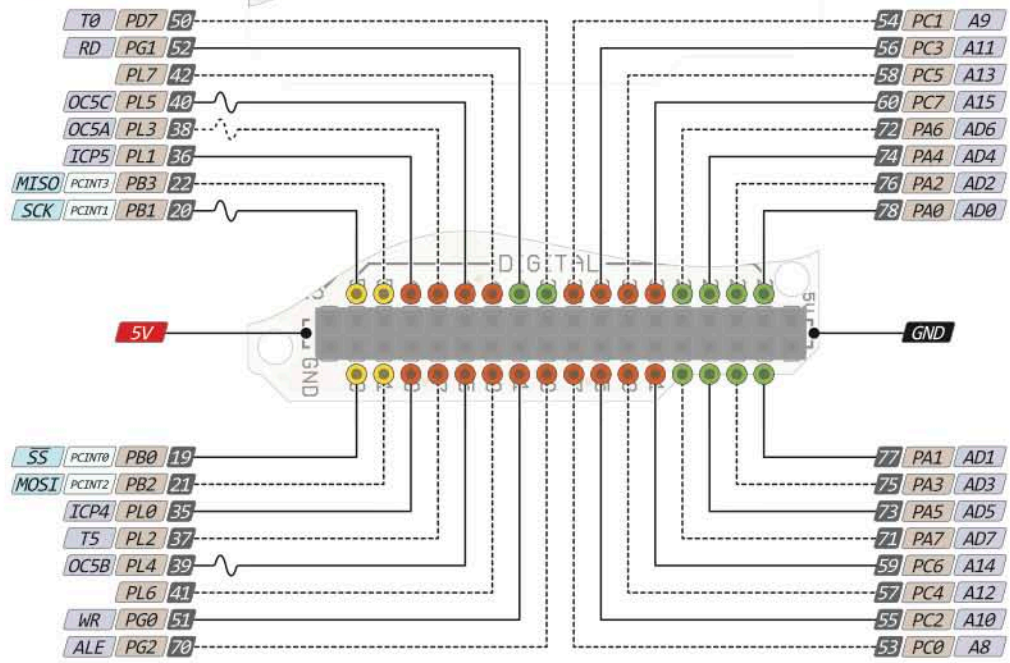
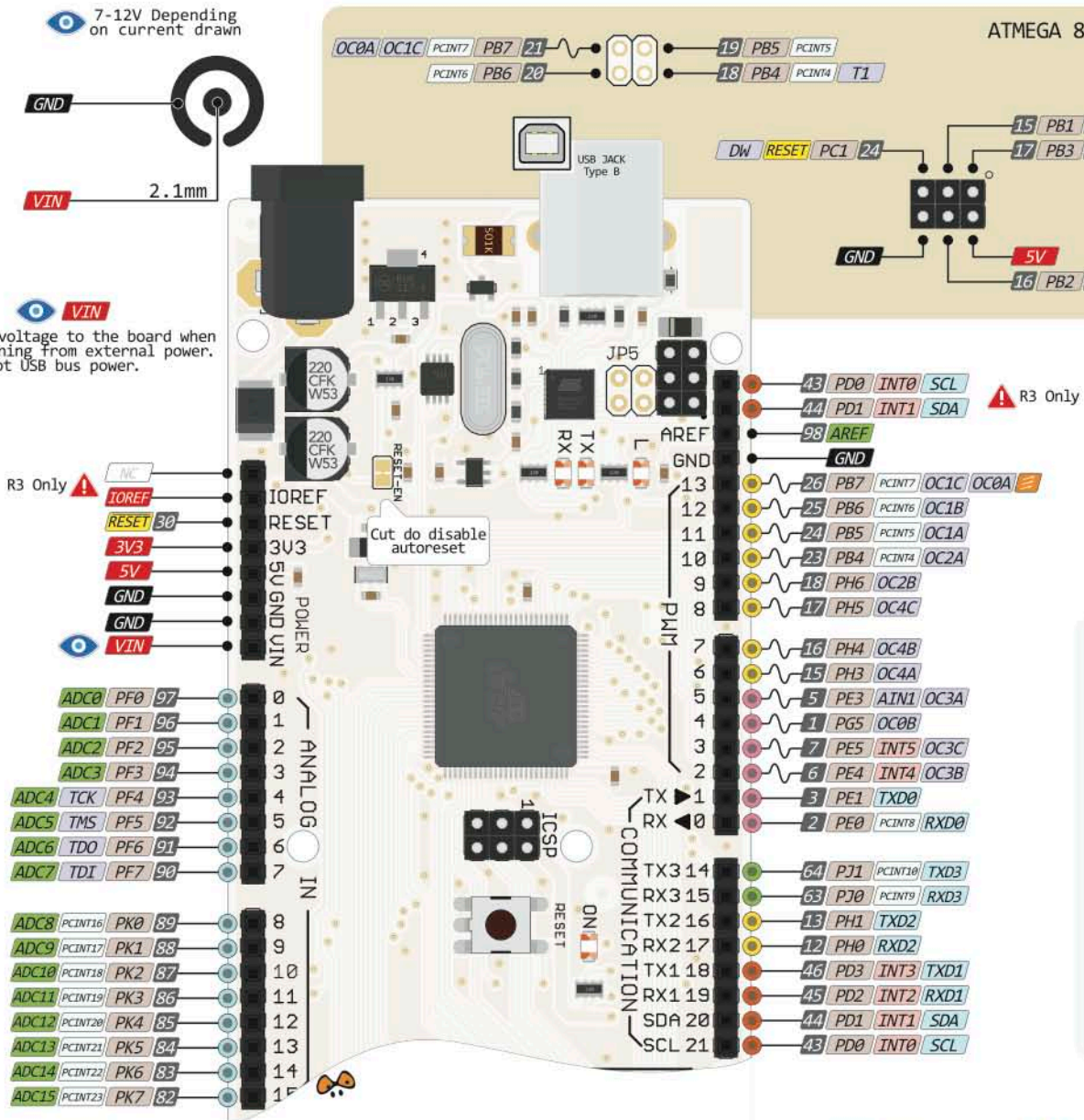
GND

VIN

2.1mm

VIN

The input voltage to the board when it is running from external power. Not USB bus power.



The power sum for each pin's group should not exceed 100mA

Absolute MAX per pin 20mA recommended 10mA

Absolute MAX 200mA for entire package