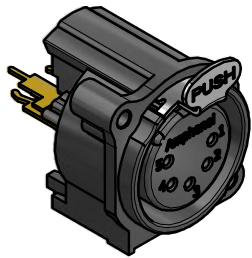
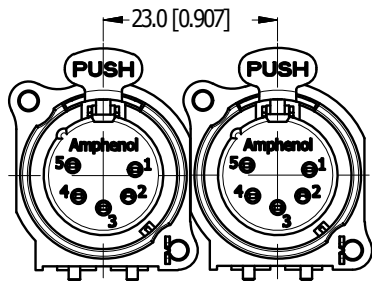
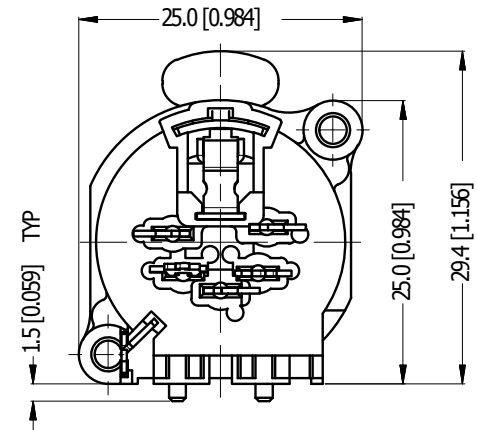
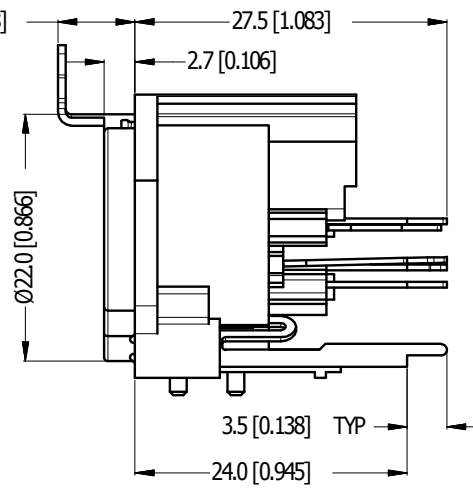
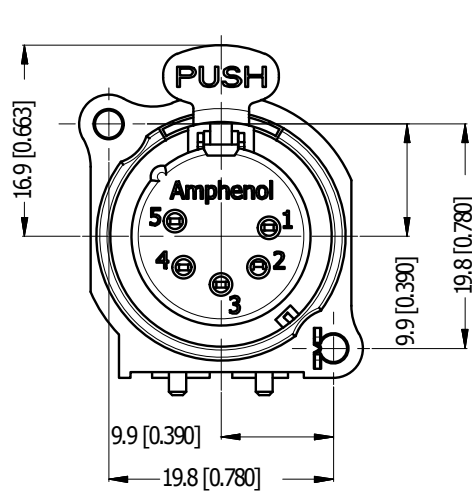
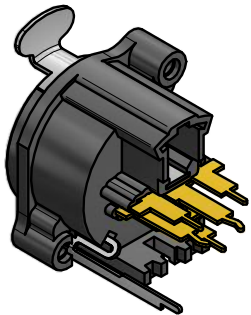


LEGEND = KEY PRODUCT CHARACTERISTICS

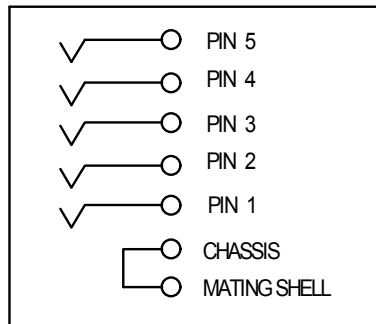
REV	DESCRIPTION	DATE	BY	ECN
0	FIRST ISSUE	20-08-08	MH	---
1	ADD -B TO PN	26-08-15	MH	---
2	CHANGE MATERIAL FROM PA66 UL94HB TO UL94V-0	01-04-20	MH	9593



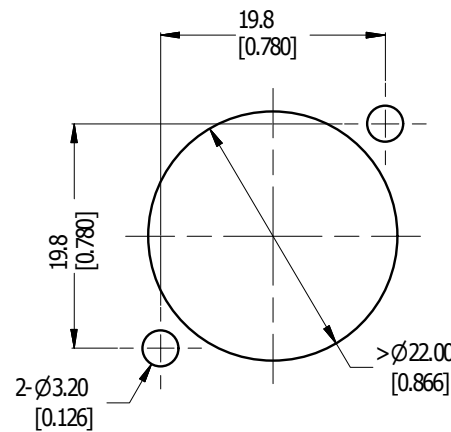
3D VIEW (1:1)



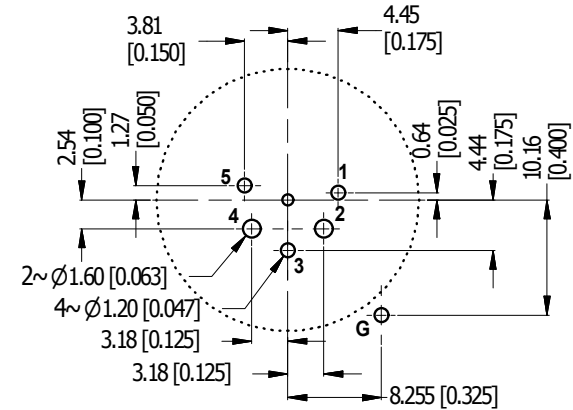
MIN MOUNTING PITCH (SCALE 1:1)



SCHMATIC CHART



PANEL CUT OUT REAR VIEW



PCB LAYOUT COMPONENT SIDE TOLERANCE: ± 0.05mm [0.002"]

UNLESS OTHERWISE SPECIFIED TOLERANCE TO BE	
LINEAR	ANGULAR
X ± 0.5	X° ± 1
XX ± 0.2	XX° ± 30'
XXX ± 0.1	XXX° ± 15'

THIS DOCUMENT IS THE PROPERTY OF AMPHENOL AUSTRALIA PTY. LTD. NO PART THEREOF MAY BE REPRODUCED AND USED WITHOUT THE PRIOR WRITTEN CONSENT OF THE OWNER

BREAK ALL SHARP EDGES AND REMOVE ALL BURRS  
DO NOT SCALE  
DIMENSIONS IN MILLIMETRES

MATERIAL: **SEE COMPONENT**  
FINISH: **SEE COMPONENT**

DRN: M.H DATE: 20-08-08  
CKD: M.H DATE: 01-04-20  
APP'D: P.M DATE: 01-04-20  
SCALE: **3:2** SIZE: **A4**

**Amphenol** Amphenol Australia Pty.Ltd, 22 Industry Blvd, Carrum Downs, VIC 3201

TITLE: **AC5FAV-AU-B VERTICAL FEMALE CUSTOMER DRAWING**

PART No. **AC5FAV-AU-B**  
DRAWING No. **55010447-000-2** SHEET **2/2**