



List of "SFV__R-1/2STBE5HLF" customer document

DOCUMENT NO.	SPEC.
SC-SFV08	
10117738 Sheet2	CAT.NO.TABLE FOR 0.5mm CONTACT SPACING CONNECTOR (SFV__R-1/2STB_HLF)
10117738 Sheet3	CONNECTOR USED FOR FPC/FPC WITH 0.5mm CONTACT SPACING (SFV__R-1STB_HLF)
10117738 Sheet4	CONNECTOR USED FOR FPC/FPC WITH 0.5mm CONTACT SPACING (SFV__R-2STB_HLF)
10117738 Sheet5	CAT.NO.TABLE FOR PLASTIC TAPE PACKAGED 0.5mm CONTACT SPACING CONNECTOR (SFV__R-1/2STBE5HLF)
10117738 Sheet6	PLASTIC TAPE PACKAGED 0.5mm CONTACT SPACING CONNECTOR (SFV__R-1STBE5HLF)
10117738 Sheet7	PLASTIC TAPE PACKAGED 0.5mm CONTACT SPACING CONNECTOR (SFV__R-2STBE5HLF)
10117738 Sheet8	RECOMMENDED CABLE (FPC) (SFV__R-1/2ST__LF)
10117738 Sheet9	RECOMMENDED CABLE (FPC) (SFV__R-1/2ST__LF)
BJM-SFV101	HANDLING PROCEDURES

mat'l. code	surface	ISO 1302	tolerance unless otherwise specified	ISO 406	ISO 1101	projection	product family	58EF	CODE JP
lfr ecn no	dr	date	tolerances	ISO 1302	ISO 406	ISO 1101	product family	58EF	CODE JP
A	J11-0061	S.W	2011-3-8	linear	mm	mm	0.5mm SPACING FPC CONNECTOR DOCUMENT LIST	(Cat. No. : SFV__R-1/2STBE5HLF)	sheet 1 of 9 size
sheet	revision	sheet	index	angles	linear	mm	0.5mm SPACING FPC CONNECTOR DOCUMENT LIST	(Cat. No. : SFV__R-1/2STBE5HLF)	sheet 1 of 9 size
1	A	1	1				0.5mm SPACING FPC CONNECTOR DOCUMENT LIST	(Cat. No. : SFV__R-1/2STBE5HLF)	sheet 1 of 9 size
2	A	2	2				0.5mm SPACING FPC CONNECTOR DOCUMENT LIST	(Cat. No. : SFV__R-1/2STBE5HLF)	sheet 1 of 9 size
3	A	3	3				0.5mm SPACING FPC CONNECTOR DOCUMENT LIST	(Cat. No. : SFV__R-1/2STBE5HLF)	sheet 1 of 9 size
4	A	4	4				0.5mm SPACING FPC CONNECTOR DOCUMENT LIST	(Cat. No. : SFV__R-1/2STBE5HLF)	sheet 1 of 9 size
5	A	5	5				0.5mm SPACING FPC CONNECTOR DOCUMENT LIST	(Cat. No. : SFV__R-1/2STBE5HLF)	sheet 1 of 9 size
6	A	6	6				0.5mm SPACING FPC CONNECTOR DOCUMENT LIST	(Cat. No. : SFV__R-1/2STBE5HLF)	sheet 1 of 9 size
7	A	7	7				0.5mm SPACING FPC CONNECTOR DOCUMENT LIST	(Cat. No. : SFV__R-1/2STBE5HLF)	sheet 1 of 9 size
8	A	8	8				0.5mm SPACING FPC CONNECTOR DOCUMENT LIST	(Cat. No. : SFV__R-1/2STBE5HLF)	sheet 1 of 9 size
9	A	9	9				0.5mm SPACING FPC CONNECTOR DOCUMENT LIST	(Cat. No. : SFV__R-1/2STBE5HLF)	sheet 1 of 9 size

sheet index	revision	sheet	
Rev. A			
type Product Customer Drawing		FCI	
dwg no 10117738		sheet 2 of 9 size A4	
CAT. NO. TABLE FOR 0.5 mm CONTACT SPACING CONNECTOR (Cat. No. : SFV--R-1/2STB--HLF)		scale X	
title		linear	
product family 58EF		mm	
CODE JP		projection	
mat'l. code		surface tolerance	
ISO 1302		ISO 406	
ISO 1101		tolerances unless otherwise specified	
date		angles	
ecn no		linear	
dr		mm	
date		projection	

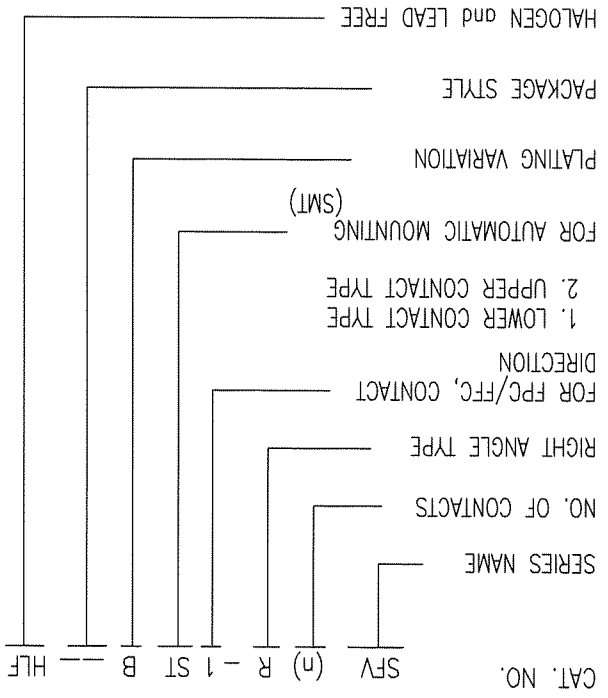
Copyright FCI.



CAT. NO.	SFV	(n)	R	-1	ST	B	HLF
4	SFV4R-1/2STB_HLF	7.5	5.9	1.5	2.7		
5	SFV5R-1/2STB_HLF	8.0	6.4	2.0	3.2		
6	SFV6R-1/2STB_HLF	8.5	6.9	2.5	3.7		
7	SFV7R-1/2STB_HLF	9.0	7.4	3.0	4.2		
8	SFV8R-1/2STB_HLF	9.5	7.9	3.5	4.7		
9	SFV9R-1/2STB_HLF	10.0	8.4	4.0	5.2		
10	SFV10R-1/2STB_HLF	10.5	8.9	4.5	5.7		
11	SFV11R-1/2STB_HLF	11.0	9.4	5.0	6.2		
12	SFV12R-1/2STB_HLF	11.5	9.9	5.5	6.7		
13	SFV13R-1/2STB_HLF	12.0	10.4	6.0	7.2		
14	SFV14R-1/2STB_HLF	12.5	10.9	6.5	7.7		
15	SFV15R-1/2STB_HLF	13.0	11.4	7.0	8.2		
16	SFV16R-1/2STB_HLF	13.5	11.9	7.5	8.7		
17	SFV17R-1/2STB_HLF	14.0	12.4	8.0	9.2		
18	SFV18R-1/2STB_HLF	14.5	12.9	8.5	9.7		
19	SFV19R-1/2STB_HLF	15.0	13.4	9.0	10.2		
20	SFV20R-1/2STB_HLF	15.5	13.9	9.5	10.7		
21	SFV21R-1/2STB_HLF	16.0	14.4	10.0	11.2		
22	SFV22R-1/2STB_HLF	16.5	14.9	10.5	11.7		
23	SFV23R-1/2STB_HLF	17.0	15.4	11.0	12.2		
24	SFV24R-1/2STB_HLF	17.5	15.9	11.5	12.7		
25	SFV25R-1/2STB_HLF	18.0	16.4	12.0	13.2		
26	SFV26R-1/2STB_HLF	18.5	16.9	12.5	13.7		
27	SFV27R-1/2STB_HLF	19.0	17.4	13.0	14.2		
28	SFV28R-1/2STB_HLF	19.5	17.9	13.5	14.7		
29	SFV29R-1/2STB_HLF	20.0	18.4	14.0	15.2		
30	SFV30R-1/2STB_HLF	20.5	18.9	14.5	15.7		
31	SFV31R-1/2STB_HLF	21.0	19.4	15.0	16.2		
32	SFV32R-1/2STB_HLF	21.5	19.9	15.5	16.7		
33	SFV33R-1/2STB_HLF	22.0	20.4	16.0	17.2		
34	SFV34R-1/2STB_HLF	22.5	20.9	16.5	17.7		
35	SFV35R-1/2STB_HLF	23.0	21.4	17.0	18.2		

NOTES

1. THIS PRODUCT IS THE CONNECTOR USED FOR FPC AND COPES WITH AUTOMATIC MOUNTING (SMT).
2. SEE PART DRAWINGS FOR DIMENSIONS A~D.



CAT. NO. & DIMENSIONS

DIMENSIONS (NOTE2)

A

B

C

D

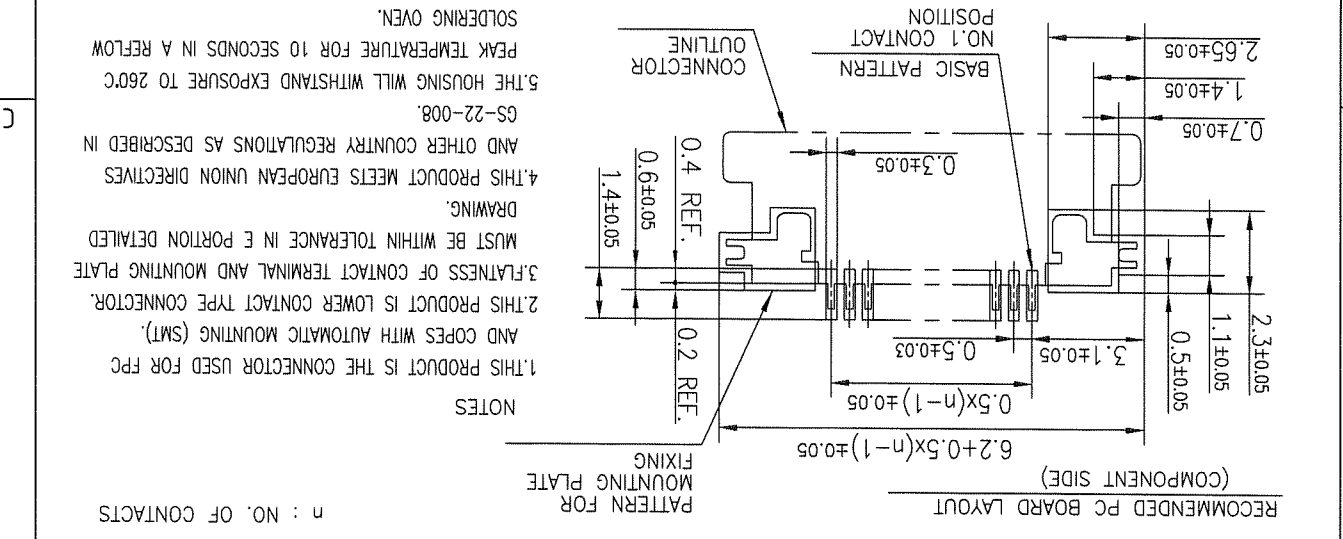
A

B

C

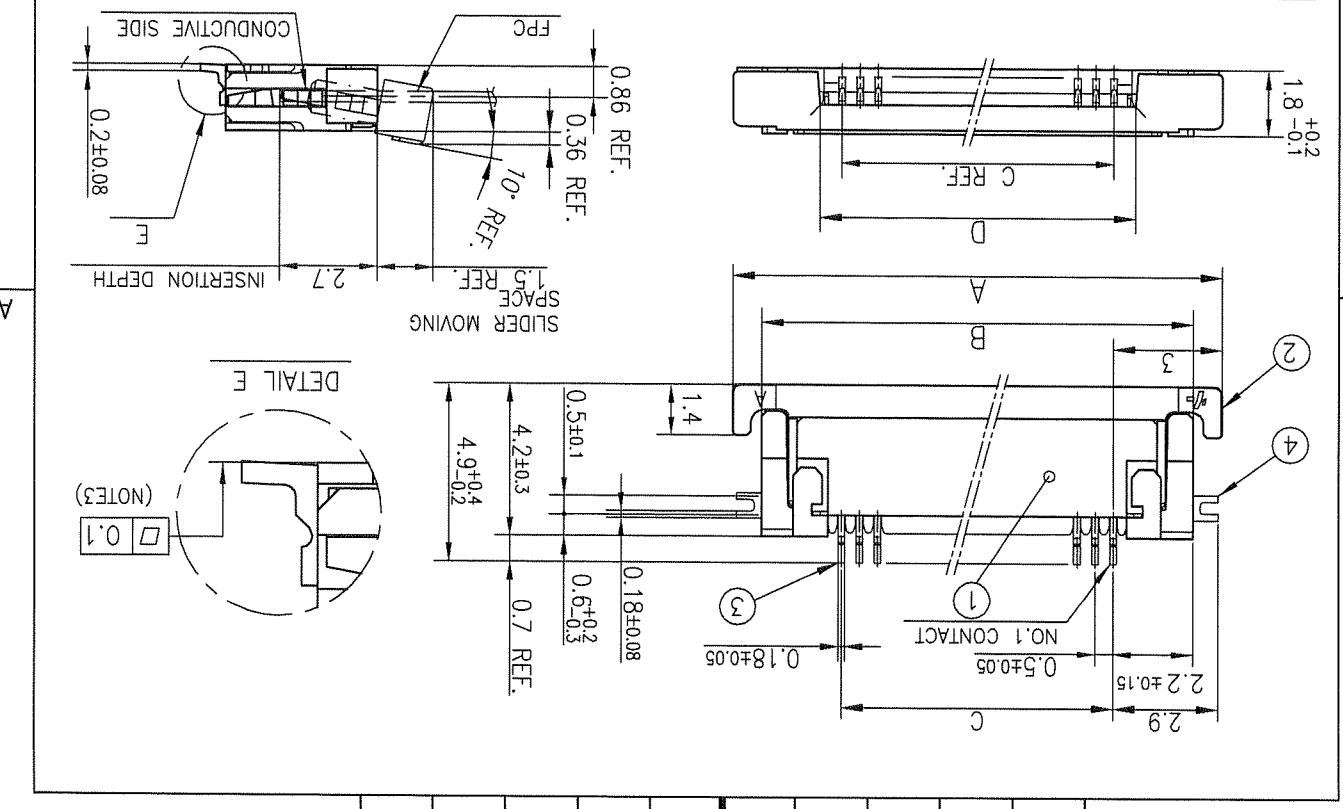
D

sheet	revision	sheet	index
Rev. A			
type Product Customer Drawing		dwg no 10117738	
sheet 3 of 9 size A4		scale X	
product family 58EF		title CONNECTOR USED FOR FPC WITH 0.5 mm CONTACT SPACING (Cat No. : SFV-R-1STB_HLF)	
CODE JP		projection	
mat'l. code		surface tolerance	
ISO 1302		ISO 406	
ISO 1101		tolerances unless otherwise specified	
date		angles linear	
dr		mm	
ecn no		±0.2	
ltr		A	
dr		tolerances unless otherwise specified	
date		ISO 1302	
ecn no		ISO 406	
ltr		ISO 1101	
dr		tolerances unless otherwise specified	
date		ISO 1302	
ecn no		ISO 406	
ltr		ISO 1101	



PT. NO.	PARTS NAME	MATERIAL	Q'TY	NOTE
1	HOUSING	13~35pin : LCP RESIN GLASS REINFORCED (UL94V-0) 4~12pin : POLYAMIDE RESIN GLASS REINFORCED (UL94V-0)	1	COLOR : BLACK (HALOGEN FREE)
2	SLIDER	PPS RESIN GLASS REINFORCED (UL94V-0)	1	COLOR : BLACK (HALOGEN FREE)
3	CONTACT	PHOSPHOR BRONZE	n	PLATING : GOLD
4	MOUNTING PLATE	PHOSPHOR BRONZE	2	PLATING : LEAD FREE

n : NO. OF CONTACTS



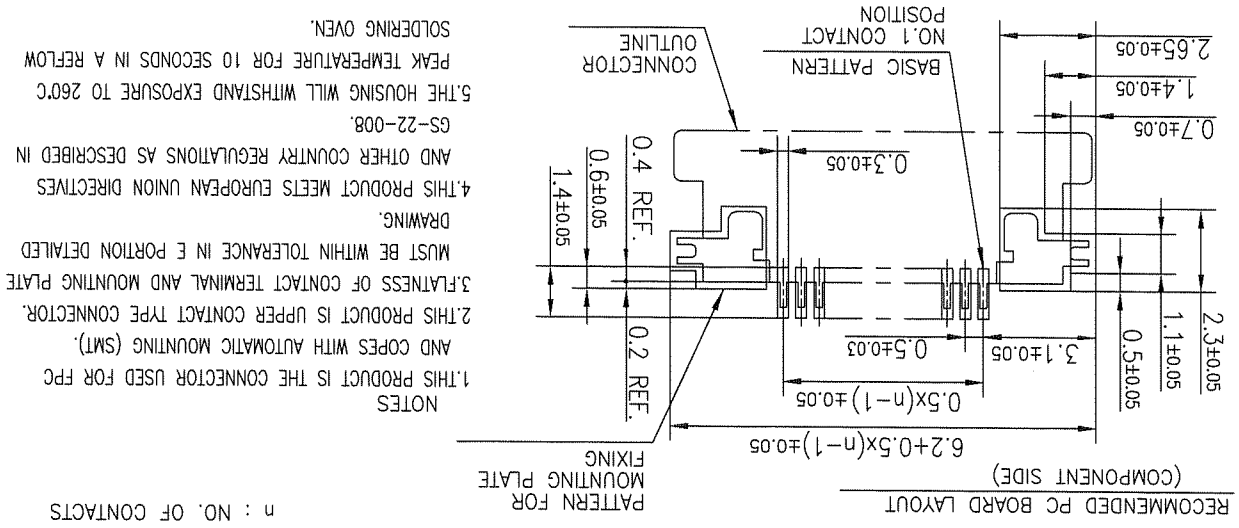
Copyright FCI.



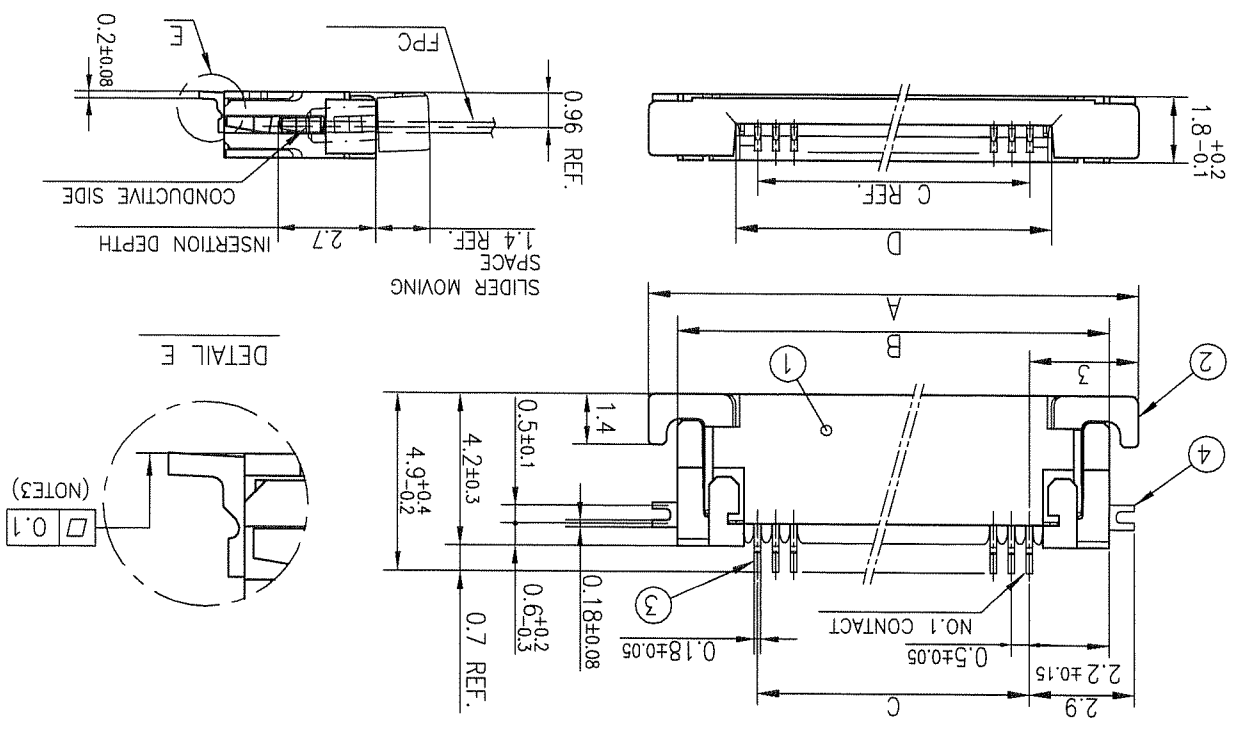
FCIconnect.com



sheet	revision	sheet	index
dr	2011-3-8	appd	
engr	2011-3-8	chr	
2011-3-8			
dwg no	10117738	type	Product Customer Drawing
sheet 4 of 9 size	A4		
mat'l. code	ISO 1302 ISO 406 ISO 1101	projection	product family
surface	tolerances unless otherwise specified	mm	58EF
angles	linear	mm	
±0.2		mm	
ISO 1302			
ISO 406			
ISO 1101			
product family	58EF	CODE	JP
product family	58EF	CODE	JP
product family	58EF	CODE	JP



PT. NO.	PARTS NAME	MATERIAL	Q'TY	NOTE
1	HOUSING	13~35pin : LCP RESIN GLASS REINFORCED (UL94V-0) 4~12pin : POLYAMIDE RESIN GLASS REINFORCED (UL94V-0)	1	COLOR : BLACK (HALOGEN FREE)
2	SLIDER	PPS RESIN GLASS REINFORCED (UL94V-0)	1	COLOR : BLACK (HALOGEN FREE)
3	CONTACT	PHOSPHOR BRONZE	n	PLATING : GOLD
4	MOUNTING PLATE	PHOSPHOR BRONZE	2	PLATING : LEAD FREE



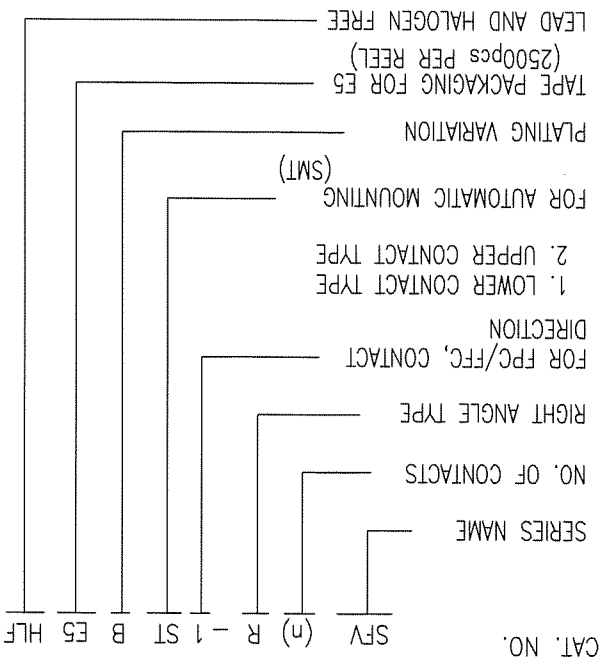
mat'l. code		surface tolerance		ISO 1302		tolerance unless otherwise specified		projection		product family		CODE JP	
ISO 406		ISO 1101		ISO 1101		ISO 1101		ISO 1101		58EF		JP	
A		date		dr		ecn no		ltr		title		CAT. NO. TABLE FOR PLASTIC TAPE PACKAGED	
angles		linear		mm		scale		X		CAT. NO. TABLE FOR PLASTIC TAPE PACKAGED		0.5 mm CONTACT SPACING CONNECTOR	
dr		engr		chr		appd		FCI		dwg no		10117738	
revision		sheet		index		sheet		type		Product Customer Drawing		Rev. A	

Copyright FCI.



NO. OF CONTACTS (n)	CAT. NO.	DIMENSIONS (NOTES)	
		F MAX.	G ± 0.3 H ± 0.1
4	SFV4R-1/2STBESHLF	22.4	16
5	SFV5R-1/2STBESHLF	22.4	16
6	SFV6R-1/2STBESHLF	22.4	16
7	SFV7R-1/2STBESHLF	30.4	24
8	SFV8R-1/2STBESHLF	30.4	24
9	SFV9R-1/2STBESHLF	30.4	24
10	SFV10R-1/2STBESHLF	30.4	24
11	SFV11R-1/2STBESHLF	30.4	24
12	SFV12R-1/2STBESHLF	30.4	24
13	SFV13R-1/2STBESHLF	30.4	24
14	SFV14R-1/2STBESHLF	30.4	24
15	SFV15R-1/2STBESHLF	30.4	24
16	SFV16R-1/2STBESHLF	30.4	24
17	SFV17R-1/2STBESHLF	30.4	24
18	SFV18R-1/2STBESHLF	30.4	24
19	SFV19R-1/2STBESHLF	30.4	24
20	SFV20R-1/2STBESHLF	30.4	24
21	SFV21R-1/2STBESHLF	30.4	24
22	SFV22R-1/2STBESHLF	30.4	24
23	SFV23R-1/2STBESHLF	38.4	32
24	SFV24R-1/2STBESHLF	38.4	32
25	SFV25R-1/2STBESHLF	38.4	32
26	SFV26R-1/2STBESHLF	38.4	32
27	SFV27R-1/2STBESHLF	38.4	32
28	SFV28R-1/2STBESHLF	38.4	32
29	SFV29R-1/2STBESHLF	38.4	32
30	SFV30R-1/2STBESHLF	38.4	32
31	SFV31R-1/2STBESHLF	50.4	44
32	SFV32R-1/2STBESHLF	50.4	44
33	SFV33R-1/2STBESHLF	50.4	44
34	SFV34R-1/2STBESHLF	50.4	44
35	SFV35R-1/2STBESHLF	50.4	44

- NOTES
1. THIS PRODUCT IS THE CONNECTOR USED FOR FPC AND COPES WITH AUTOMATIC MOUNTING (SMT).
 2. THIS CATALOG NO. INDICATES PLASTIC TAPE PACKAGED CONNECTOR.
 3. SEE PART DRAWINGS FOR DIMENSIONS F~H.



CAT. NO. & DIMENSIONS

A

B

C

C

B

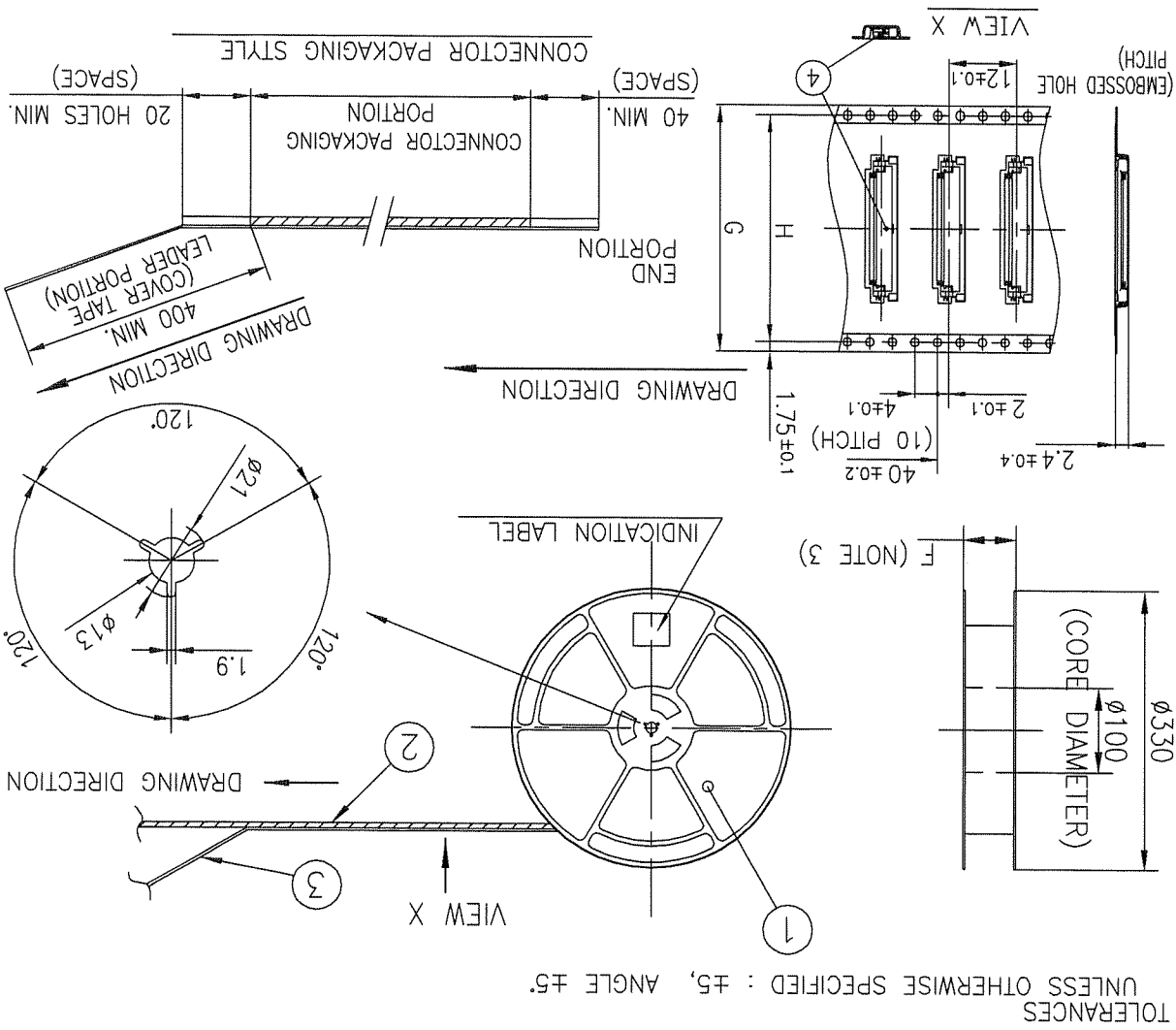
A

sheet	revision	sheet	index
1	1	1	1
Rev. A	Rev. A	Rev. A	Rev. A
mat'l. code surface tolerance unless otherwise specified ISO 1302 ISO 406 ISO 1101 projection		title PLASTIC TAPE PACKAGED 0.5 mm CONTACT SPACING CONNECTOR (Cat. No. : SFV_R-1STB5HLF)	
product family 58EF CODE JP		scale mm angles linear	
product family 58EF CODE JP		type Product Customer Drawing	
dwg no 10117738 sheet 6 of 9 size A4		dr S. M. H. L. F. 2011-3-8	
appd M. M. H. L. F. 2011-3-8		chr M. M. H. L. F. 2011-3-8	
enr S. M. H. L. F. 2011-3-8		M. M. H. L. F. 2011-3-8	

NOTES

- THIS IS PLASTIC TAPE PACKAGED CONNECTOR USED FOR FCC AND COPS WITH AUTOMATIC MOUNTING (SMT).
- SEE JIS C 0806 (PACKING OF ELECTRONIC COMPONENTS ON CONTINUOUS TAPES (SURFACE MOUNTING DEVICES)) FOR SHAPE AND DIMENSIONS OF PLASTIC (EMBOSS) TAPE AND REEL.
- F DIMENSION IS PORTION OF THE CORE.

Pt. NO.	PARTS NAME	CAT. NO.	MATERIAL	Q'TY	NOTE
1	REEL	---	POLYSTYRENE	1	COLOR : BLACK
2	PLASTIC (EMBOSS) TAPE	---	A-PET	---	COLOR : TRANSPARENCY
3	COVER	---	POLYESTER	---	COLOR : TRANSPARENCY
4	CONNECTOR	SFV_R-1STB_HLF	SEE ATTACHED DWG.	2500	LOWER CONTACT TYPE



FCIconnect.com



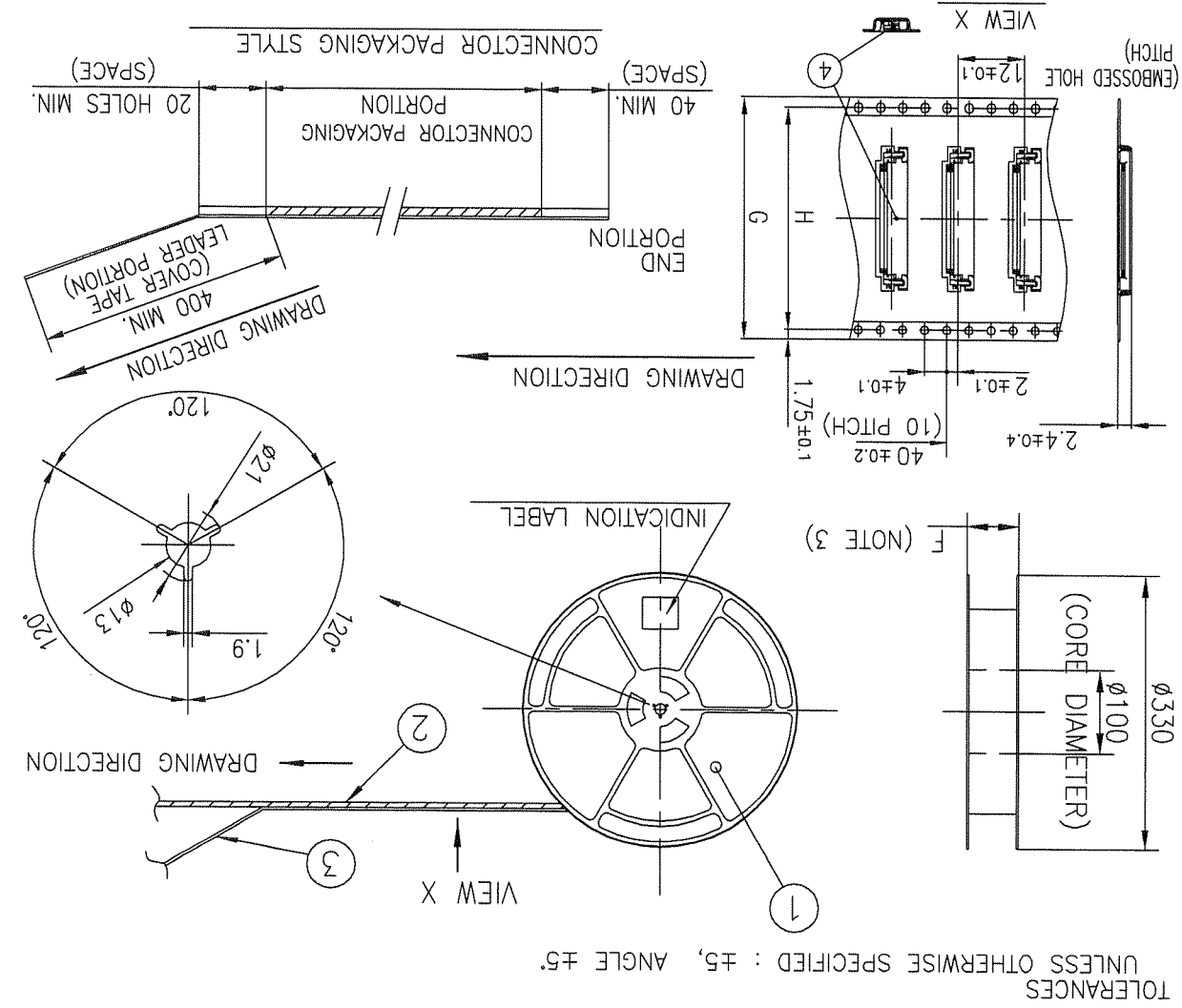
Copyright FCI.

sheet	revision	sheet		index	
1	1	1		2	
dr	eng	chr	appd	type Product Customer Drawing	
2013-8	2013-8	2013-8	2013-8	10117738	
tolerances unless otherwise specified		linear		scale \times	
ISO 1302		angles		0.5 mm CONTACT SPACING CONNECTOR	
ISO 406		mm		PLASTIC TAPE PACKAGED	
ISO 1101		projection		product family	
surface		date		58EF	
tolerance		dr		CODE JP	
ISO 1302		date		58EF	
ISO 406		date		58EF	
ISO 1101		date		58EF	

NOTES

1. THIS IS PLASTIC TAPE PACKAGED CONNECTOR USED FOR FPC AND COPS WITH AUTOMATIC MOUNTING (SMT).
2. SEE JIS C 0806 (PACKING OF ELECTRONIC COMPONENTS ON CONTINUOUS TAPES (SURFACE MOUNTING DEVICES)) FOR SHAPE AND DIMENSIONS OF PLASTIC (EMBOSS) TAPE AND REEL.
3. F DIMENSION IS PORTION OF THE CORE.

PT. NO.	PARTS NAME	CAT. NO.	MATERIAL	Q'TY	NOTE
1	REEL		POLYSTYRENE	1	COLOR : BLACK
2	PLASTIC (EMBOSS) TAPE		A-PET		COLOR : TRANSPARENCY
3	COVER		POLYESTER		COLOR : TRANSPARENCY
4	CONNECTOR	SFV_R-2STB_HLF	SEE ATTACHED DWG.	2500	UPPER CONTACT TYPE




TOLERANCES UNLESS OTHERWISE SPECIFIED : ±5, ANGLE ±5.

Copyright FCI.



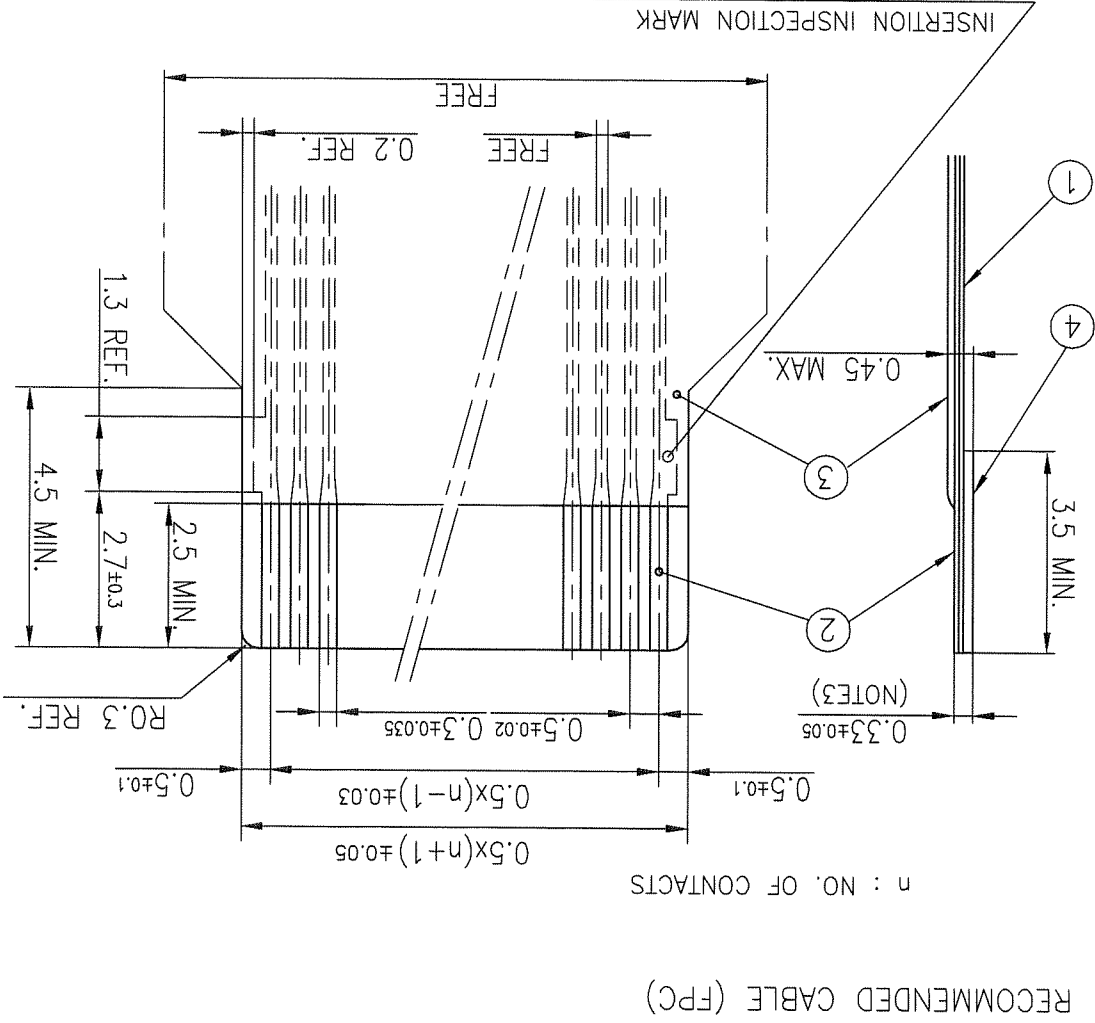
FCIconnect.com

sheet	revision	sheet	index
1	1	2	A
dr	2011-3-8	engr	2011-3-8
chr	2011-3-8	appd	2011-3-8
			
type		Product Customer Drawing	
dwg no		10117738	
sheet 8 of 9 size		A4	
title		RECOMMENDED CABLE (Cat. No. : SFV--R-1/2ST--LF)	
product family		58EF	
CODE		JP	
surface		ISO 1302	
tolerance		ISO 406	
projection		ISO 1101	
angles		linear	
mm		scale	
date		tolerances unless otherwise specified	
ecn no		date	
dr		date	
mat'l. code		surface	

NOTES

1. NO BURR AT EACH PORTION.
2. NO PEELING IN COMMON USE.
3. TOTAL THICKNESS LIMIT OF EACH MATERIAL (INCLUDING ADHESIVE AGENT) IS SPECIFIED.

PT. NO.	PARTS NAME	MATERIAL	THICKNESS (um)
1	BASE FILM	POLYIMIDE OR POLYESTER OR EQUAL	25
2	CONDUCTOR	COPPER FOIL(PLATING : GOLD)	35
3	OVERLAY	POLYIMIDE OR POLYESTER OR EQUAL	—
4	SUPPORTING TAPE	POLYESTER OR POLYIMIDE OR EQUAL	188



Copyright FCI.



FCIconnect.com

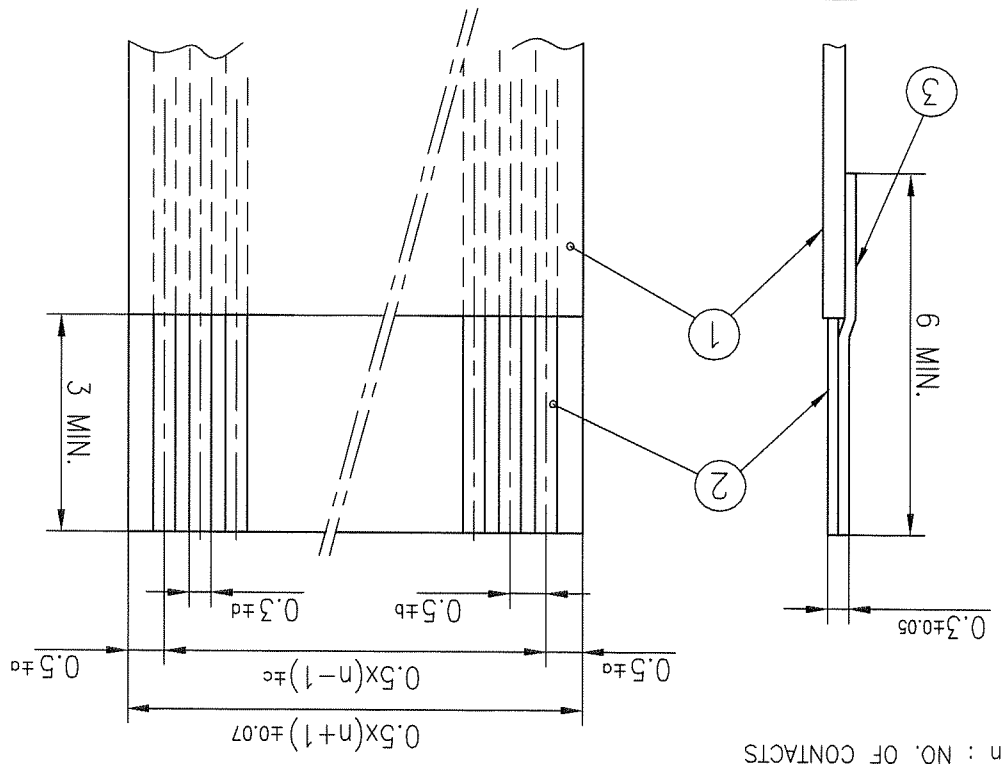
sheet	revision	sheet	index
1	1	1	1
dr	engr	chr	appd
2011-3-8	2011-3-8	2011-3-8	2011-3-8
10117738	10117738	10117738	10117738
type Product Customer Drawing		sheet 9 of 9 size	
A4		A4	
mat'l. code		surface	
ISO 1302		ISO 406	
ISO 1101		ISO 1101	
tolerances unless otherwise specified		tolerances unless otherwise specified	
angles		linear	
mm		mm	
scale		scale	
X		X	
title		title	
RECOMMENDED CABLE		RECOMMENDED CABLE	
(Cat. No. : SFV_R-1/2ST_LF)		(Cat. No. : SFV_R-1/2ST_LF)	
product family		product family	
58EF		58EF	
CODE		CODE	
JP		JP	

NOTES

1. NO BURR AT EACH PORTION.
2. NO PEELING IN COMMON USE.
3. EITHER KIND1 OR KIND2 OF FCC CAN ACCEPT DIMENSIONAL TOLERANCE a,b,c AND d.

Pt. NO.	PARTS NAME	MATERIAL
1	INSULATOR	FLAME RESISTING POLYESTER OR EQUIVALENT
2	CONDUCTOR	COPPER FOIL (PLATING : GOLD)
3	SUPPORTING TAPE	FLAME RESISTING POLYESTER OR EQUIVALENT

KIND OF FCC (NOTES)	DIMENSIONAL TOLERANCE			
	a	b	c	d
1	±0.07	±0.04	±0.05	±0.02
2	±0.1	±0.03	±0.03	±0.025



RECOMMENDED CABLE (FCC)

n : NO. OF CONTACTS

Copyright FCI.

