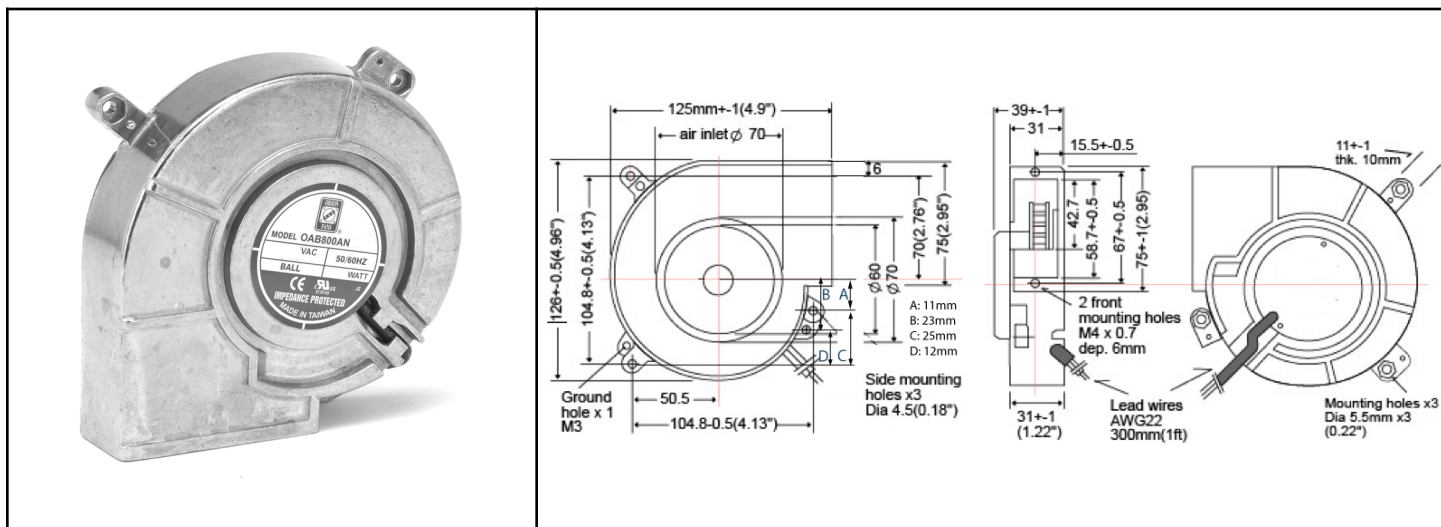


# OAB800AN Series



AC Blower, ball bearing  
125x126x39mm (4.9"x 5"x 1.5")



<b>Side Inlet Blower</b>		<p><b>Operating Temp:</b> Ambient non-condensing allowable thermal range -20C~+75C</p> <p><b>-L10 Life:</b> MTBF life test 85,000 hours at +45C, 40,000 hours at +60C</p> <p><b>-Dielectric Strength:</b> Over 1 min. at 1,500 VAC, 0.5mA, 50/60 Hz</p> <p><b>-Insulation Resistance:</b> Over 100 Mega Ohm at DC 500V</p>	
<b>Frame &amp; Impeller</b>	Aluminum die-cast shell with UL94V-0 impeller		
<b>Connection</b>	Lead Wires		
<b>Motor</b>	Shaded pole, inner rotor, single phase, impedance protected		
<b>Bearing System</b>	Dual ball - sealed		

Model Number	OAB800AN-11-1B	OAB800AN-22-1B
Part Number	263311000	263611000
Nominal Voltage	115 VAC	220 VAC
Voltage Range	80 ~ 120	150 ~ 240
Rated Power	18 W	18 W
Rated Speed (RPM)	2800	2800
Airflow (CFM)	30	30
Noise Level (dB)	48	48
Max. Static Pressure	0.51 "H2O	0.51 "H2O