

SPECIFICATIONS:

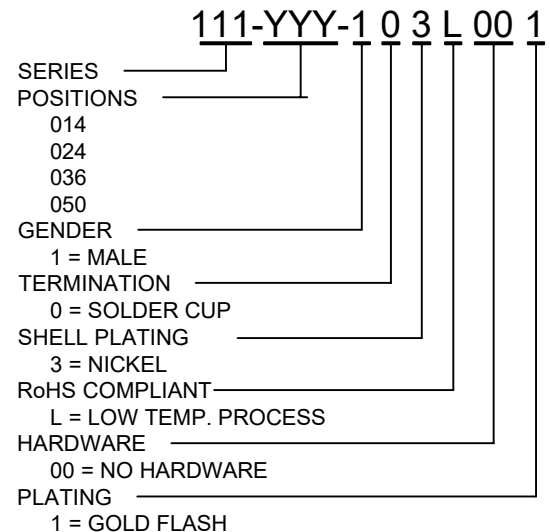
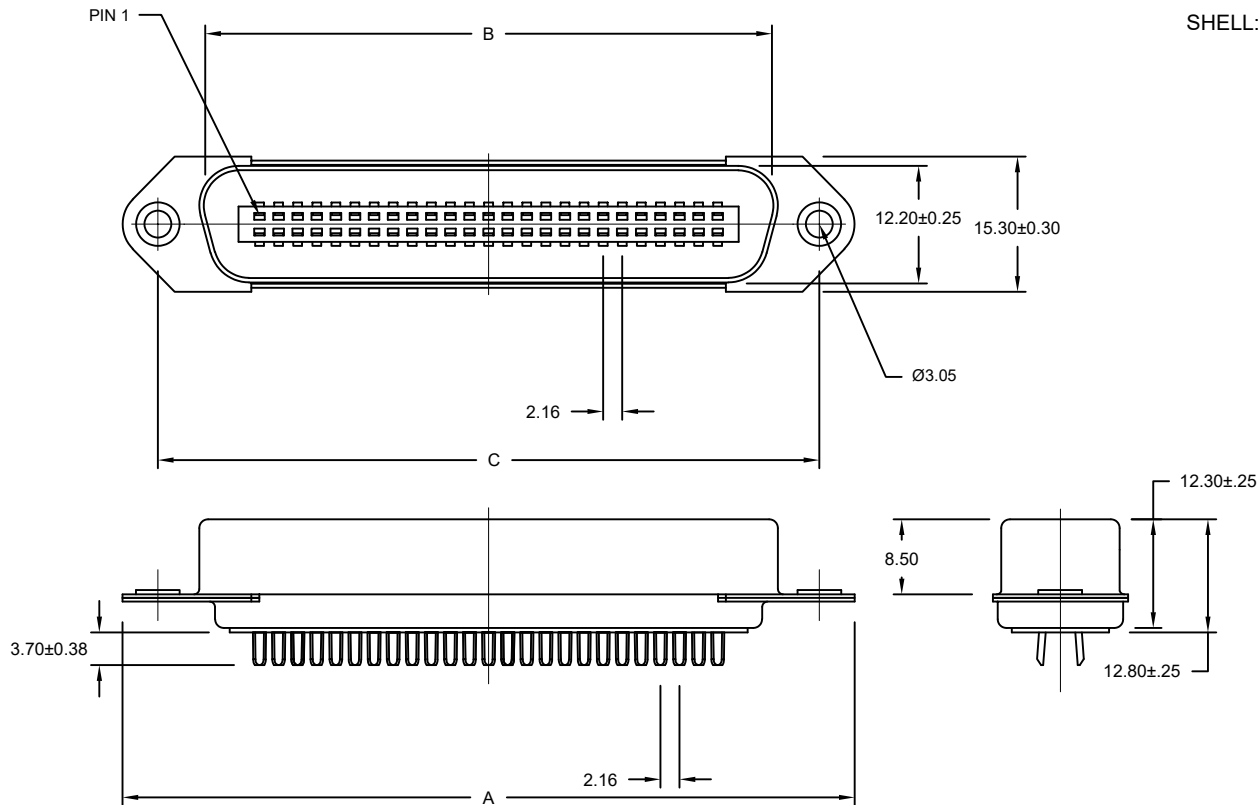
ELECTRICAL:

CURRENT RATING: 1 AMPS
 INSULATION RESISTANCE: 1,000 MΩ MIN. @ 500 VDC
 DIELECTRIC WITHSTANDING VOLTAGE: 1,000 VAC FOR 1 MINUTE
 CONTACT RESISTANCE: 30 mΩ MAX.
 OPERATING TEMPERATURE: -55°C TO +105°C

MATERIALS:

INSULATION: PBT, UL 94 V-O RATED
 CONTACTS: PHOSPHOR BRONZE
 CONTACT PLATING: GOLD FLASH IN MATING AREA
 BRIGHT TIN IN SOLDER AREA
 SHELL: STEEL, NICKEL PLATED

DIMENSIONS(mm)			
SIZE	A	B±0.25	C±0.25
14	43.90±0.30	25.50	36.00
24	54.70±0.30	36.30	46.80
36	67.75±0.30	49.00	59.74
50	82.85±0.30	64.47	74.85



WILL ACCEPT 26-20 AWG WIRE

RoHS COMPLIANT

UNITS = mm

DO NOT SCALE FROM DRAWING

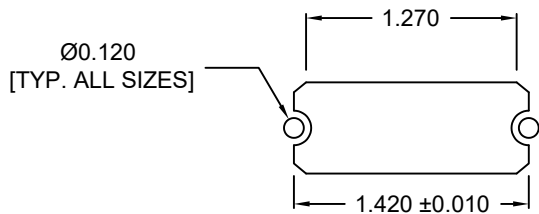


THESE DRAWINGS AND SPECIFICATIONS ARE THE PROPERTY OF NorComp AND SHALL NOT BE REPRODUCED, COPIED OR USED AS THE BASIS FOR THE MANUFACTURE OR SALE OF APPARATUS WITHOUT WRITTEN PERMISSION.

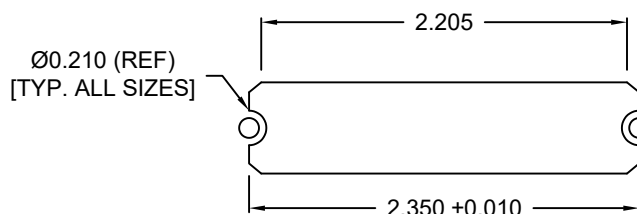
DRAWN: WAYNE ROBBINS
 DATE: 01/16/2019



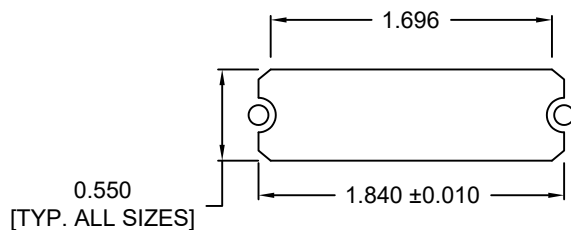
SCALE: NTS
 SHEET 1 OF 2
 REV 13
 DWG NO. 111-YYY-103L001



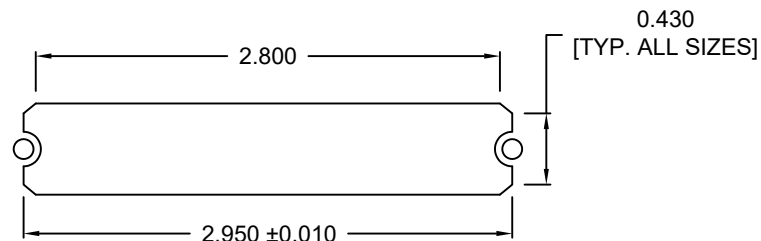
14 POSITION



36 POSITION



24 POSITION



50 POSITION

RoHS COMPLIANT

UNITS = inch

DO NOT SCALE FROM DRAWING



THESE DRAWINGS AND SPECIFICATIONS ARE THE PROPERTY OF NorComp AND SHALL NOT BE REPRODUCED, COPIED OR USED AS THE BASIS FOR THE MANUFACTURE OR SALE OF APPARATUS WITHOUT WRITTEN PERMISSION.

DRAWN:
WAYNE ROBBINS

DATE:
01/16/2019

NorComp

SCALE:
NTS

SHEET OF
2 2

REV
13

DWG NO.

111-YYY-103L001

Mouser Electronics

Authorized Distributor

Click to View Pricing, Inventory, Delivery & Lifecycle Information:

[NorComp:](#)

[111-014-103L001](#) [111-024-103L001](#) [111-036-103L001](#) [111-050-103L001](#)