

# SACC-DSI-M12FS-17P-M16XL/0,5 - Device connector, rear mounting



1411590

<https://www.phoenixcontact.com/us/products/1411590>

Please be informed that the data shown in this PDF document is generated from our Online Catalog. Please find the complete data in the user documentation. Our General Terms of Use for Downloads are valid.



Device connector, rear mounting, Universal, 17-position, Flush-type female connector, straight, M12-Standard, coding: A , on free cable end, Rear mounting, M16 x 1.5, Individual wires, cable length: 0.5 m, 0.14 mm<sup>2</sup>, TPE litz wire, Alternative product in accordance with RoHS II without Exemption 6c (Pb <0.1%) item no.: 1238889

## Your advantages

- Easy-to-install, optimized XL housing contour with wrench size 19
- Mechanical tightening limitation for long-term-stable gasket
- Pre-assembled with litz wires for immediate use
- Customer-specific assemblies and litz wire lengths available
- Sealed on the litz wire side for optimum leak-tightness
- All standard pin assignments and codings for signal, data, and power transmission with a uniform design-in design
- For high transmission safety: shield connection to the housing with optional EMC nut

## Commercial Data

Item number	1411590
Packing unit	1 pc
Minimum order quantity	1 pc
Sales Key	AB24
Product Key	ABQCDH
Catalog Page	Page 50 (C-2-2019)
GTIN	4046356936033
Weight per Piece (including packing)	38.5 g
Weight per Piece (excluding packing)	22.22 g
Customs tariff number	85444290
Country of origin	DE

# SACC-DSI-M12FS-17P-M16XL/0,5 - Device connector, rear mounting



1411590

<https://www.phoenixcontact.com/us/products/1411590>

## Technical Data

### Notes

Notes on operation	The electrical and mechanical data specified assume that the connector pair is correctly locked and mounted. If the connector is unlocked and if there is a danger of contamination, the connector must be sealed using a protective cap > IP54. Influences arising from litz wires, cables or PCB assembly must also be taken into consideration.
--------------------	--

### Mounting

Mounting type	Rear mounting
Assembly instructions	Tightening limitation

### Product properties

Product type	Circular connectors (device side)
Number of positions	17
No. of cable outlets	1
Shielded	no
Coding	A
Thread type	M12

### Insulation characteristics

Overvoltage category	II
Degree of pollution	3

### Material specifications

Flammability rating according to UL 94	V0
Seal material	FKM
Contact material	CuZn
Contact surface material	Au
Contact carrier material	PA 6.6
Material for screw connection	Zinc die-cast, nickel-plated

### Electrical properties

Rated surge voltage	0.8 kV
Contact resistance	$\leq 3 \text{ m}\Omega$
Insulation resistance	$\geq 100 \text{ M}\Omega$
Nominal voltage $U_N$	30 V (AC)
	30 V (DC)
Nominal current $I_N$	1.5 A

### Connection data

Conductor connection

# SACC-DSI-M12FS-17P-M16XL/0,5 - Device connector, rear mounting



1411590

<https://www.phoenixcontact.com/us/products/1411590>

Connection method	Individual wires
Type of contact	Crimp contacts
Conductor cross section	0.14 mm <sup>2</sup>
Tightening torque	0.8 Nm
	1.3 Nm

## Connector

### Connection 1

Head design	Flush-type female connector
Head cable outlet	straight
Head thread type	M12
Head locking type	Standard
Coding	A

### Connection 2

Head design	free cable end
-------------	----------------

## Cable/line

Cable length	0.5 m
Shielded	no
Cable type	TPE litz wire
Signal type/category	Universal
Conductor material	Tin-plated Cu litz wires
Conductor structure signal line	7x 0.16 mm
AWG signal line	26
Conductor cross section	0.14 mm <sup>2</sup>
Material wire insulation	TPE
Thickness, insulation	0.21 mm (Core insulation)
Wire diameter incl. insulation	1.1 mm ±0.05 mm
Single wire, color	brown, blue, white, green, pink, yellow, black, gray, red, violet, gray/pink, red/blue, white/green, brown/green, white/yellow, yellow/brown, white/gray
Nominal voltage, cable	300 V
Test voltage, cable	2000 V AC
Cable resistance	≤ 57.6 mΩ/m
Cable insulation resistance	≥ 20 MΩ*km
Ambient temperature (operation)	-25 °C ... 85 °C (Cable, flexible installation)
	-40 °C ... 85 °C (cable, fixed installation)
Cable type	TPE litz wire
Signal type/category	Universal
Wire diameter incl. insulation	1.1 mm ±0.05 mm
Single wire, color	brown, blue, white, green, pink, yellow, black, gray, red, violet, gray/pink, red/blue, white/green, brown/green, white/yellow, yellow/brown, white/gray

# SACC-DSI-M12FS-17P-M16XL/0,5 - Device connector, rear mounting



1411590

<https://www.phoenixcontact.com/us/products/1411590>

Conductor material	Tin-plated Cu litz wires
Conductor structure signal line	7x 0.16 mm
AWG signal line	26
Material wire insulation	TPE
Thickness, insulation	0.21 mm (Core insulation)
Nominal voltage, cable	300 V
Test voltage, cable	2000 V AC
Cable resistance	≤ 57.6 mΩ/m
Cable insulation resistance	≥ 20 MΩ*km
Ambient temperature (operation)	-40 °C ... 85 °C (cable, fixed installation) -25 °C ... 85 °C (Cable, flexible installation)

## Environmental and real-life conditions

### Ambient conditions

Degree of protection	IP67 IP65/IP67
Ambient temperature (operation)	-25 °C ... 85 °C (Plug / socket) -40 °C ... 85 °C (without mechanical actuation) -25 °C ... 85 °C (Cable, flexible installation) -40 °C ... 85 °C (cable, fixed installation)

## Standards and regulations

### M12

Standards/specifications	IEC 61076-2-101
--------------------------	-----------------

# SACC-DSI-M12FS-17P-M16XL/0,5 - Device connector, rear mounting

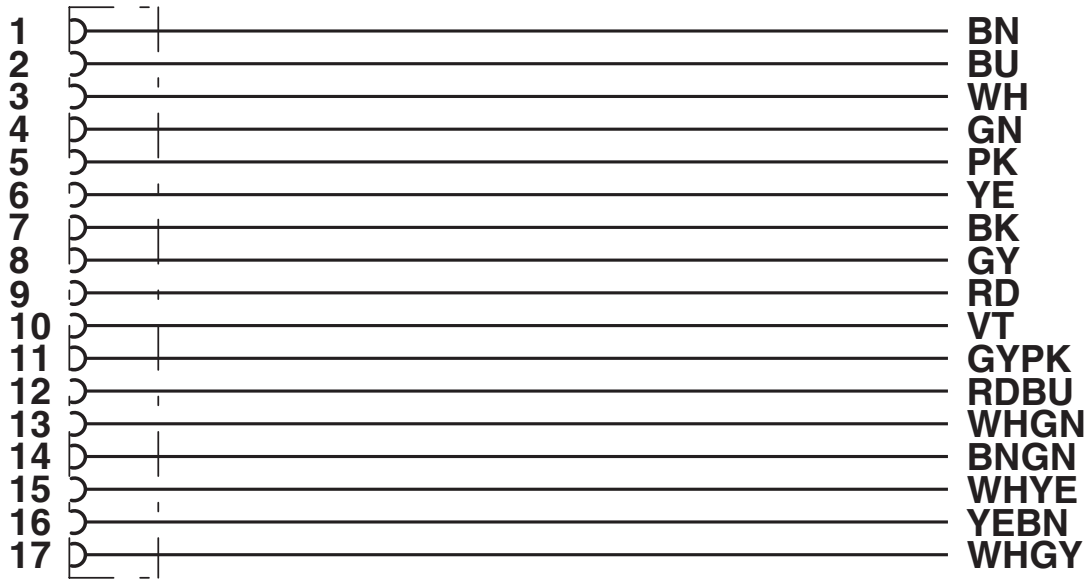


1411590

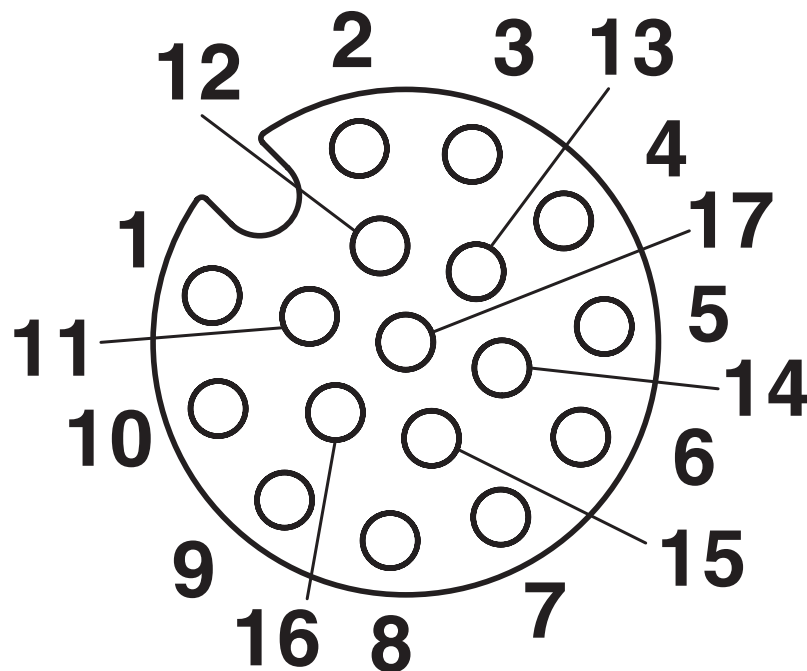
<https://www.phoenixcontact.com/us/products/1411590>

## Drawings

Circuit diagram



Schematic diagram



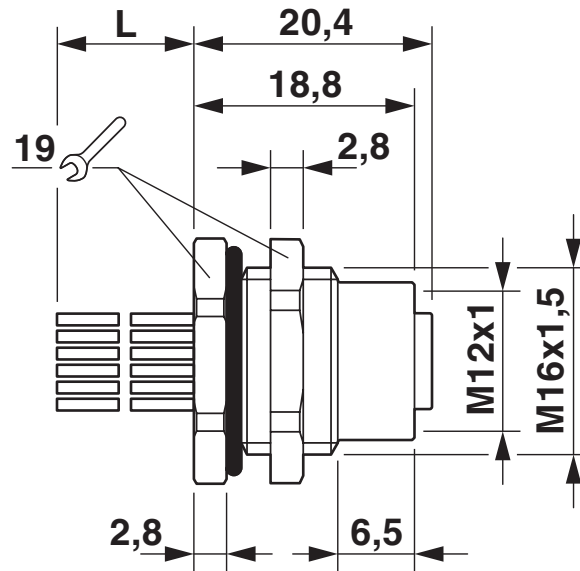
Pin assignment M12, 17-pos., socket side view

# SACC-DSI-M12FS-17P-M16XL/0,5 - Device connector, rear mounting

1411590

<https://www.phoenixcontact.com/us/products/1411590>

Dimensional drawing



M12 flush-type socket

# SACC-DSI-M12FS-17P-M16XL/0,5 - Device connector, rear mounting



1411590

<https://www.phoenixcontact.com/us/products/1411590>

## Approvals



**EAC**

Approval ID: B.01687



**cULus Recognized**

Approval ID: E221474-20140616

# SACC-DSI-M12FS-17P-M16XL/0,5 - Device connector, rear mounting



1411590

<https://www.phoenixcontact.com/us/products/1411590>

## Classifications

### ECLASS

ECLASS-9.0	27440102
ECLASS-10.0.1	27440102
ECLASS-11.0	27440102
ECLASS-12.0	27440116
ECLASS-13.0	27440116

### ETIM

ETIM 8.0	EC002635
----------	----------

### UNSPSC

UNSPSC 21.0	39121400
-------------	----------



# SACC-DSI-M12FS-17P-M16XL/0,5 - Device connector, rear mounting



1411590

<https://www.phoenixcontact.com/us/products/1411590>

## Environmental Product Compliance

REACH SVHC	Lead 7439-92-1
China RoHS	Environmentally Friendly Use Period = 50 years
	For information on hazardous substances, refer to the manufacturer's declaration available under "Downloads"

Phoenix Contact 2023 © - all rights reserved  
<https://www.phoenixcontact.com>

Phoenix Contact USA  
586 Fulling Mill Road  
Middletown, PA 17057, United States  
(+717) 944-1300  
[info@phoenixcon.com](mailto:info@phoenixcon.com)