

**PLEASE CHECK WWW.MOLEX.COM FOR LATEST PART INFORMATION**

**Part Number:** [1300130489](#)

**Status:** **Active**

**Overview:** [Brad Mini-Change Connectors](#)

**Description:** Mini-Change A-Size Receptacle, 5 Poles, 1/2" - 14 NPT Threads, Male (Straight) to 18 AWG Leads, 0.305m (1.0') Length

**Documents:**

[Drawing \(PDF\)](#)

[RoHS Certificate of Compliance \(PDF\)](#)

**Agency Certification**

CSA LR6837  
UL E152210

**General**

Product Family Industrial Receptacles  
Series [130013](#)  
IP Rating IP67  
NEMA Rating NEMA 6  
Overview [Brad Mini-Change Connectors](#)  
Product Name Mini-Change  
Type Single Ended (pigtail)  
UPC 78678845996

**Physical**

Coupling Type External Thread  
Gender Male  
Keyway Single  
Length 0.305m  
Material - Component Zinc Die-Cast with Black Epoxy  
Mounting Thread Size 1/2" - 14 NPT  
Orientation Straight  
Panel Mount N/A  
Poles 5  
Temperature Range - Operating -20° to +80°C  
Wire Size AWG 18  
Wire/Cable Type UL 1061

**Electrical**

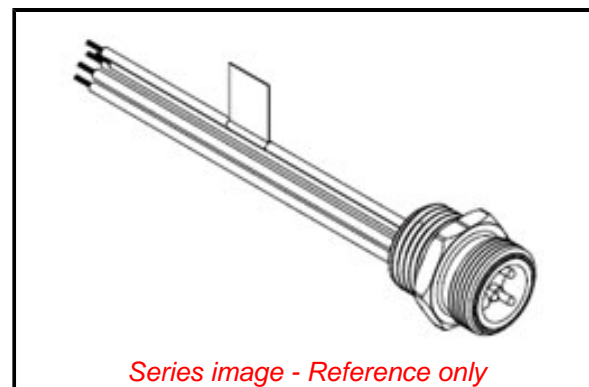
Current - Maximum per Contact 5.6A  
Voltage - Maximum 300V AC/DC

**Material Info**

Engineering Number 1R5006A17A120

**Reference - Drawing Numbers**

Sales Drawing SD-130013-004-001, SD-130013-078-001,  
SD-130013-117-001



*Series image - Reference only*

**EU ELV**

**Not Relevant**

**EU RoHS**

**Not Reviewed**

**REACH SVHC**

Not Reviewed

**Halogen-Free**

**Status**

**Not Reviewed**

For more information, please visit [Contact US](#)

China ROHS

Not Reviewed

ELV

Not Relevant

RoHS Phthalates

Not Reviewed

**Search Parts in this Series**

[130013 Series](#)

# Mouser Electronics

Authorized Distributor

Click to View Pricing, Inventory, Delivery & Lifecycle Information:

[Molex:](#)

[1300130489](#)