

MULL12060-200

PHYSICAL DIMENSIONS:

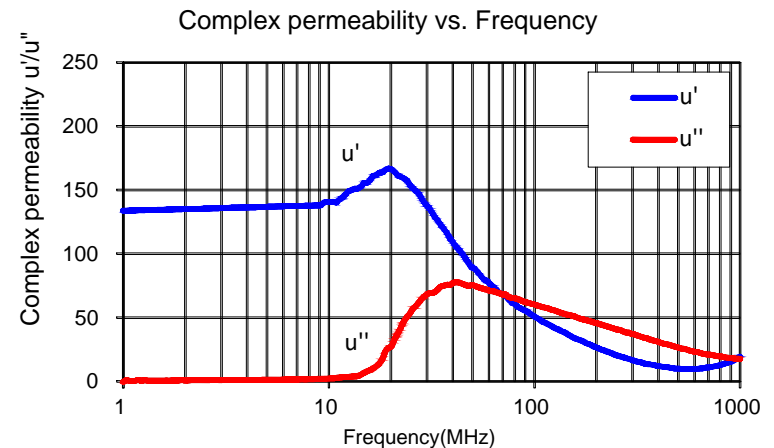
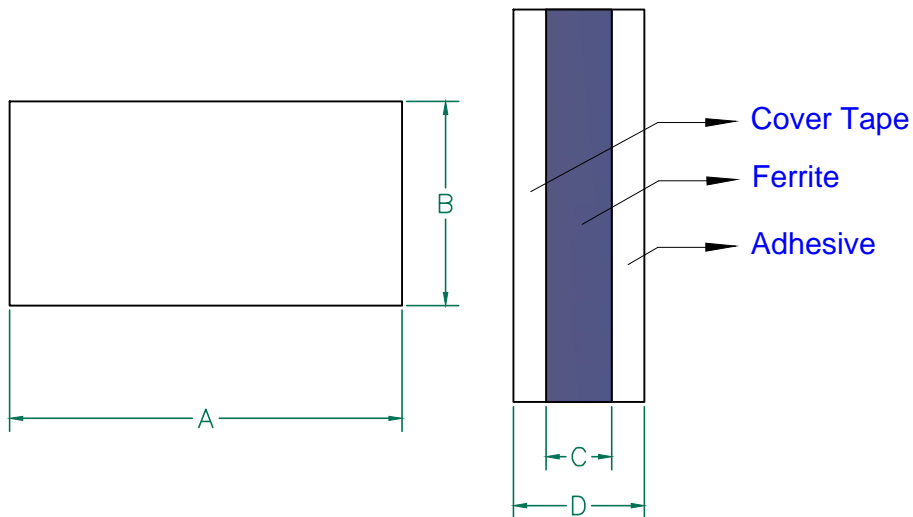
A	120.0[4.724]	±	2.00[.0787]
B	60.0[2.362]	±	2.00[.0787]
C	0.10[0.004]	±	0.02[.0008]
D	0.20[0.008]		MAX

RoHS

ELECTRICAL CHARACTERISTICS:

Initial Permeability (μ') (13.56MHz)	150±20%
Initial Permeability (μ'') (13.56MHz)	5 Max

PRODUCTS SHAPE AND DIMENSIONS



MEASURED BY ANGILENT E4991A , 1Ts .

NOTES: UNLESS OTHERWISE SPECIFIED

1. OPERATING TEMPERATURE RANGE -40°C TO 85°C .
2. FLEXIBLE FERRITE SHEET.
3. D IS MEASURED AFTER REMOVING PAPER LINER OF ADHESIVE

DIMENSIONS ARE IN mm [INCHES].				This print is the property of Laird Tech. and is loaned in confidence subject to return upon request and with the understanding that no copies shall be made without the written consent of Laird Tech. All rights to design or invention are reserved.					
				PROJECT/PART NUMBER: MULL12060-200		REV A	PART TYPE: CO-FIRE		
				DATE: 10/08/14		SCALE: NTS		SHEET: 1 of 1	
A	ORIGINAL DRAFT	10/08/14	QU	CAD #		TOOL #		-	
REV	DESCRIPTION	DATE	INT	MULL12060-200-A					

Mouser Electronics

Authorized Distributor

Click to View Pricing, Inventory, Delivery & Lifecycle Information:

[Laird Performance Materials:](#)

[MULL12060-200](#)