

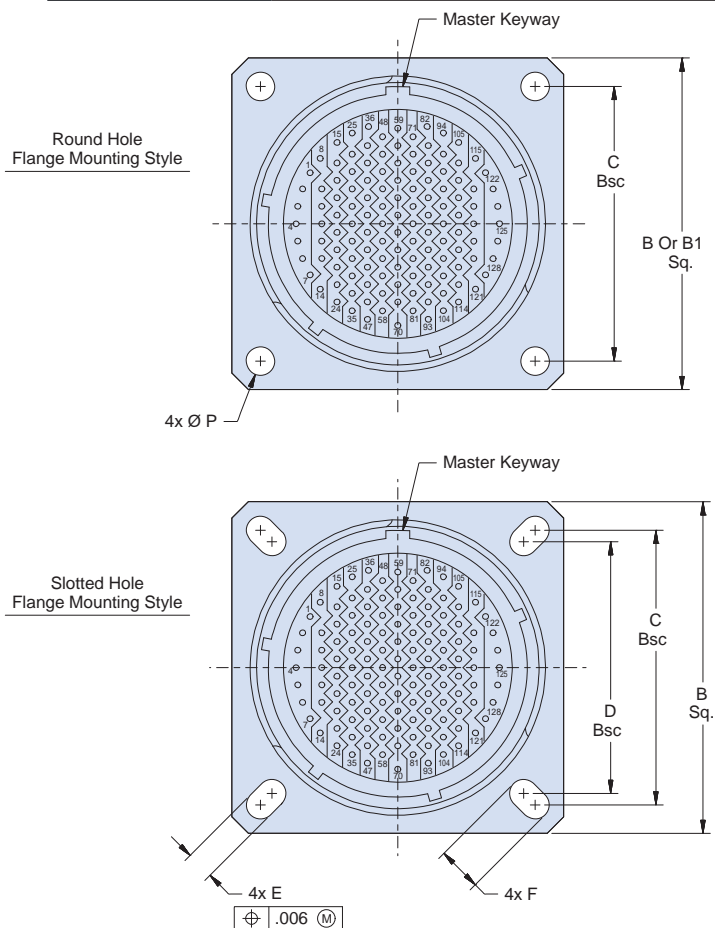


240-383W
MIL-DTL-38999 Series III Type Filter Connector
Wall Mount Receptacle

B

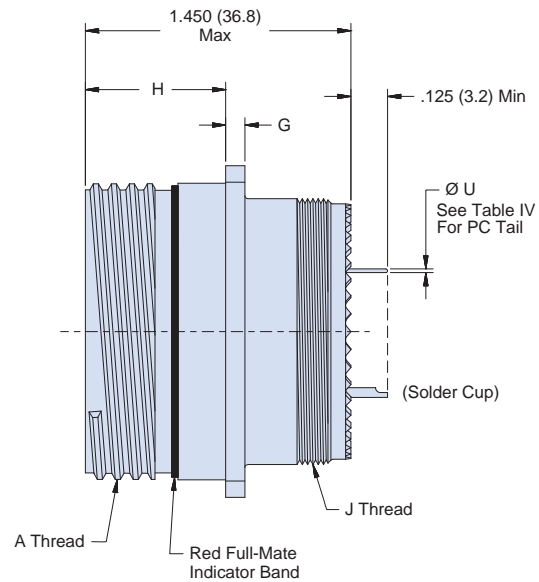
D38999 SERIES III TYPE WALL MOUNT RECEPTACLE

How To Order										
Sample Part Number	240-383	W	ME	15-35	P	S	P	A	C	N
Filter Connector	MIL-DTL-38999 Series III Type									
Shell Style	W = Wall Mount									
Connector Class	See Table I									
Insert Arrangement	IAW MIL-STD-1560. (See pages B-28 - B-29)									
Contact Gender	P = Pin S = Socket									
Termination	S = Solder Cup P = PC Tail									
Filter Type	P = Pi Circuit C = C Circuit (See Note 1)									
Capacitance	See Table II									
Flange Mounting Style	H = Round Holes C = Clinch Nuts (4-40 UNC) [†] M = Metric Clinch Nuts (M3) [†] S = Slotted Holes									
Alternate Key Position	A, B, C, D, E, N = Normal (See page B-29)									



Notes

1. Other filter styles (C-L, L-C, Unbalanced Pi, Multi-Stage, Multi-Value) are available, please consult the factory.
2. Consult factory for alternate PC Tail lengths
3. Helicoil and threaded inserts/specials available upon request.



Dimensions in inches (millimeters) and are subject to change without notice.

240-383W
MIL-DTL-38999 Series III Type Filter Connector
Wall Mount Receptacle



MIL-DTL-38999
Type

B

Sym	Class	Material	Finish Description
ME	Environmental	Aluminum	Electroless Nickel
MT	Environmental	Aluminum	Ni-PTFE 1000 Hour Grey™ Nickel Fluorocarbon Polymer
NF	Environmental	Aluminum	Cadmium O.D. Over Electroless Nickel
ZL	Environmental	Stainless Steel	Electro-Deposited Nickel
XM†	Environmental	Composite	Electroless Nickel
XMT†	Environmental	Composite	Ni-PTFE 1000 Hour Grey™ Nickel Fluorocarbon Polymer
XW†	Environmental	Composite	Cadmium O.D. Over Electroless Nickel
ZN	Environmental	Aluminum	Zinc-Nickel, Olive Drab
ZR	Environmental	Aluminum	Zinc Nickel, Black - RoHS
H2*	Hermetic	Stainless Steel	Electro-Deposited Nickel

*Some dimensions do not apply. See drawing 240-383WH2
†Clinch nuts and metric clinch nuts not available for composites.

Class	Pi - Circuit (pF)	C - Circuit (pF)
X*	160,000 - 240,000	80,000 - 120,000
Y*	80,000 - 120,000	40,000 - 60,000
Z*	60,000 - 90,000	30,000 - 45,000
A	38,000 - 56,000	19,000 - 28,000
B	32,000 - 45,000	16,000 - 22,500
C	18,000 - 33,000	9,000 - 16,500
D	8,000 - 12,000	4,000 - 6,000
E	3,300 - 5,000	1,650 - 2,500
F	800 - 1,300	400 - 650
G	400 - 600	200 - 300
J	70-120	35-60

* Filter Classes X, Y and Z are 250 VDC. All others are 500 VDC

Contact Size	Ø U
22D	.021 (0.53)
	.018 (0.46)
20	.031 (0.79)
	.029 (0.74)
16	.042 (1.07)
	.038 (0.97)
12	.096 (2.44)
	.092 (2.34)

Shell Size	A Thread	Thru Hole Flange		Clinch Nut Flange	Slotted Hole Flange				G	H	J Thread
		B Sq.	Ø P ±.010 (.25)		B1 Sq. ±.020 (.51)	C Bsc	D Bsc	E			
9	.6250-1P-.3L-TS-2A	.949 (24.1) .925 (23.5)	.128 (3.3)	1.019 (25.9)	.719 (18.3)	.594 (15.1)	.136 (3.5) .120 (3.0)	.224 (5.7) .208 (5.3)	.144 (3.7) .083 (2.1)	.820 (20.8) .771 (19.6)	M12 X 1.0-6g 0.100R
11	.7500-1P-.3L-TS-2A	1.043 (26.5) 1.019 (25.9)	.128 (3.3)	1.112 (28.2)	.812 (20.6)	.719 (18.3)	.136 (3.5) .120 (3.0)	.202 (5.1) .186 (4.7)	.144 (3.7) .083 (2.1)	.820 (20.8) .771 (19.6)	M15 X 1.0-6g 0.100R
13	.8750-1P-.3L-TS-2A	1.138 (28.9) 1.114 (28.3)	.128 (3.3)	1.206 (30.6)	.906 (23.0)	.812 (20.6)	.136 (3.5) .120 (3.0)	.202 (5.1) .186 (4.7)	.144 (3.7) .083 (2.1)	.820 (20.8) .771 (19.6)	M18 X 1.0-6g 0.100R
15	1.0000-1P-.3L-TS-2A	1.232 (31.3) 1.208 (30.7)	.128 (3.3)	1.269 (32.2)	.969 (24.6)	.906 (23.0)	.136 (3.5) .120 (3.0)	.181 (4.6) .165 (4.2)	.144 (3.7) .083 (2.1)	.820 (20.8) .771 (19.6)	M22 X 1.0-6g 0.100R
17	1.1875-1P-.3L-TS-2A	1.323 (33.6) 1.299 (33.0)	.128 (3.3)	1.362 (34.6)	1.062 (27.0)	.969 (24.6)	.136 (3.5) .120 (3.0)	.202 (5.1) .186 (4.7)	.144 (3.7) .083 (2.1)	.820 (20.8) .771 (19.6)	M25 X 1.0-6g 0.100R
19	1.2500-1P-.3L-TS-2A	1.449 (36.8) 1.425 (36.2)	.128 (3.3)	1.456 (37.0)	1.156 (29.4)	1.062 (27.0)	.136 (3.5) .120 (3.0)	.202 (5.1) .186 (4.7)	.144 (3.7) .083 (2.1)	.820 (20.8) .771 (19.6)	M28 X 1.0-6g 0.100R
21	1.3750-1P-.3L-TS-2A	1.575 (40.0) 1.551 (39.4)	.128 (3.3)	1.562 (39.7)	1.250 (31.8)	1.156 (29.4)	.136 (3.5) .120 (3.0)	.202 (5.1) .186 (4.7)	.171 (4.3) .083 (2.1)	.790 (20.1) .741 (18.8)	M31 X 1.0-6g 0.100R
23	1.5000-1P-.3L-TS-2A	1.701 (43.2) 1.677 (42.6)	.156 (4.0)	1.719 (43.7)	1.375 (34.9)	1.250 (31.8)	.162 (4.1) .146 (3.7)	.250 (6.4) .234 (5.9)	.171 (4.3) .083 (2.1)	.790 (20.1) .741 (18.8)	M34 X 1.0-6g 0.100R
25	1.6250-1P-.3L-TS-2A	1.823 (46.3) 1.799 (45.7)	.156 (4.0)	1.844 (46.8)	1.500 (38.1)	1.375 (34.9)	.162 (4.1) .146 (3.7)	.250 (6.4) .234 (5.9)	.171 (4.3) .083 (2.1)	.790 (20.1) .741 (18.8)	M37 X 1.0-6g 0.100R

Dimensions in inches (millimeters) and are subject to change without notice.

© 2013 Glenair, Inc.

U.S. CAGE Code 06324

Printed in U.S.A.

GLENAIR, INC. • 1211 AIR WAY • GLENDALE, CA 91201-2497 • 818-247-6000 • FAX 818-500-9912
www.glenair.com B-35 E-Mail: sales@glenair.com