

Issued: December 13th, 2022
SUB: EOL Notice

Product Type: Surface Mount Aluminum Electrolytic Capacitors
NIC Series: NAWR Series
Product Specification:
<http://www.niccomp.com/products/catalog/nawr.pdf>

Notification: End of Life Notification

The following is notice of the end of life for the NAWR series of surface mount, aluminum electrolytic capacitors. This end of life notification applies to all packaging variations.

Effective: December 13th, 2022
Last Order Date: July 31st, 2023
Last Ship Date: December 31st, 2023

Reason for Discontinuation: Low Demand (Excel List of Part Numbers)

Discontinued Part Number	Capacitance	Voltage Rating	Case Size	Possible Alternate	Comment
NAWR220M6.3V4X4.6KBF	22	6.3	4X4.6	NAWE220M6.3V4X5.5NBF	Higher Profile
NAWR220M6.3V4X4.6KLBF	22	6.3	4X4.6	NAWE220M6.3V4X5.5NLBF	Higher Profile
NAWR330M6.3V5X4.6KBF	33	6.3	5X4.6	NACEW330M6.3V5X5.5TR13F	Higher Profile
NAWR470M6.3V5X4.6KBF	47	6.3	5X4.6	NACEW470M6.3V5X5.5TR13F	Higher Profile
NAWR101M6.3V6.3X4.6KBF	100	6.3	6.3X4.6	NAWE101M6.3V6.3X5.5NBF	Higher Profile
NAWR220M10V5X4.6KBF	22	10	5X4.6	NACEW220M10V5X5.5TR13F	Higher Profile
NAWR330M10V5X4.6KBF	33	10	5X4.6	NACEW330M10V5X5.5TR13F	Higher Profile
NAWR470M10V6.3X4.6KBF	47	10	6.3X4.6	NACEW470M10V5X5.5TR13F	Higher Profile
NAWR101M10V6.3X4.6KBF	100	10	6.3X4.6	NACX101M10V6.3x5.5TR13F	Higher Profile
NAWR100M16V4X4.6KBF	10	16	4X4.6	NAWE100M16V4X5.5NBF	Higher Profile
NAWR100M16V4X4.6KLBF	10	16	4X4.6	NAWE100M16V4X5.5NLBF	Higher Profile
NAWR220M16V5X4.6KBF	22	16	5X4.6	NAWE220M16V5X5.5NBF	Higher Profile
NAWR330M16V6.3X4.6KBF	33	16	6.3X4.6	NACEW330M16V6.3X5.5TR13F	Higher Profile
NAWR470M16V6.3X4.6KBF	47	16	6.3X4.6	NAWE470M16V6.3X5.5NBF	Higher Profile
NAWR4R7M25V4X4.6KBF	4.7	25	4X4.6	NACEW4R7M25V4X5.5TR13F	Higher Profile
NAWR4R7M25V4X4.6KLBF	4.7	25	4X4.6	NACEW4R7M25V4X5.5TR15F	Higher Profile
NAWR100M25V5X4.6KBF	10	25	5X4.6	NACEW100M25V5X5.5TR13F	Higher Profile
NAWR220M25V6.3X4.6KBF	22	25	6.3X4.6	NACEW220M25V6.3X5.5TR13F	Higher Profile
NAWR330M25V6.3X4.6KBF	33	25	6.3X4.6	NAWE330M25V6.3X5.5NBF	Higher Profile
NAWR470M25V6.3X4.6KBF	47	25	6.3X4.6	NAWP470M25V6.3X5.5LBF	Higher Profile
NAWR4R7M35V4X4.6KBF	4.7	35	4X4.6	NAWE4R7M35V4X5.5NBF	Higher Profile
NAWR4R7M35V4X4.6KLBF	4.7	35	4X4.6	NAWE4R7M35V4X5.5NLBF	Higher Profile
NAWR100M35V5X4.6KBF	10	35	5X4.6	NAWE100M35V5X5.5NBF	Higher Profile
NAWR220M35V6.3X4.6KBF	22	35	6.3X4.6	NAWE220M35V6.3X5.5NBF	Higher Profile
NAWRR47M50V4X4.6KBF	0.47	50	4X4.6	N/A	N/A
NAWRR47M50V4X4.6KLBF	0.47	50	4X4.6	N/A	N/A
NAWR1R0M50V4X4.6KBF	1.0	50	4X4.6	NAWE1R0M50V4X5.5NBF	Higher Profile

Discontinued Part Number	Capacitance	Voltage Rating	Case Size	Possible Alternate	Comment
NAWR1R0M50V4X4.6KLBF	1.0	50	4X4.6	NAWE1R0M50V4X5.5NLBF	Higher Profile
NAWR2R2M50V4X4.6KBF	2.2	50	4X4.6	NAWE2R2M50V4X5.5NBF	Higher Profile
NAWR2R2M50V4X4.6KLBF	2.2	50	4X4.6	NAWE2R2M50V4X5.5NLBF	Higher Profile
NAWR3R3M50V4X4.6KLBF	3.3	50	4X4.6	NAWE3R3M50V4X5.5NBF	Higher Profile
NAWR4R7M50V5X4.6KBF	4.7	50	5X4.6	NAWE4R7M50V5X5.5NBF	Higher Profile
NAWR100M50V6.3X4.6KBF	10	50	6.3X4.6	NAWE100M50V6.3X5.5NBF	Higher Profile

Prepared by: Technical Product Marketing Group / tpmg@niccomp.com

→ Follow NIC PCN alerts to get email notifications of EOL and PCN announcements at www.niccomp.com/pcn

Use our Quickbuilder tool to find possible alternatives for the discontinued parts:

http://www.niccomp.com/QuickBUILDER/qb_capacitor.php

Surface Mount Aluminum Electrolytic Capacitors NAWR Series

FEATURES

- CYLINDRICAL V-CHIP CONSTRUCTION FOR SURFACE MOUNTING
- LOW PROFILE 4.6MM HEIGHT
- LOAD LIFE (2,000 ~ 3,000 HOURS @ +105°C)
- DESIGNED FOR AUTOMATIC MOUNTING AND REFLOW SOLDERING

SAC Alloy Compatible
245°C

RoHS Compliant
includes all homogeneous materials



CHARACTERISTICS

*See Part Number System for Details

Rated Voltage Rating	6.3 ~ 50Vdc						
Rated Capacitance Range	0.47 ~ 100μF						
Operating Temp. Range	-40 ~ +105°C						
Capacitance Tolerance	±20% (M)						
Max. Leakage Current After 2 Minutes @ 20°C	0.01CV or 3μA whichever is greater						
Dissipation Factor	W.V. (Vdc)	6.3	10	16	25	35	50
	S.V. (Vdc)	8.0	13	20	32	44	63
	Tan δ @ 120Hz/20°C	0.35	0.30	0.20	0.16	0.14	0.12
Low Temperature Stability	W.V. (Vdc)	6.3	10	16	25	35	50
	Z-25°C/Z+20°C	4	3	2	2	2	2
Impedance Ratio @ 120Hz	Z-40°C/Z+20°C	10	8	6	4	4	4
	Capacitance Change	Within ±30% of initial measured value					
Load Life Test @ 105°C D ≤ 5mm: 2,000 hours D = 6.3mm: 3,000 hours	Tan δ	Less than ±300% of the specified maximum value					
	Leakage Current	Less than the specified maximum value					

STANDARD VALUES AND CASE SIZES (mm)

Cap. (μF)	Code	Working Voltage (Vdc)					
		6.3	10	16	25	35	50
0.47	R47	-	-	-	-	-	4X4.6
1.0	1R0	-	-	-	-	-	4X4.6
2.2	2R2	-	-	-	-	-	4X4.6
3.3	3R3	-	-	-	-	-	4X4.6
4.7	4R7	-	-	-	4X4.6	4X4.6	5X4.6
10	100	-	-	4X4.6	5X4.6	5X4.6	6.3X4.6
22	220	4X4.6	5X4.6	5X4.6	6.3X4.6	6.3X4.6	-
33	330	5X4.6	5X4.6	6.3X4.6	6.3X4.6	-	-
47	470	5X4.6	6.3X4.6	6.3X4.6	6.3X4.6	-	-
100	101	6.3X4.6	6.3X4.6	-	-	-	-

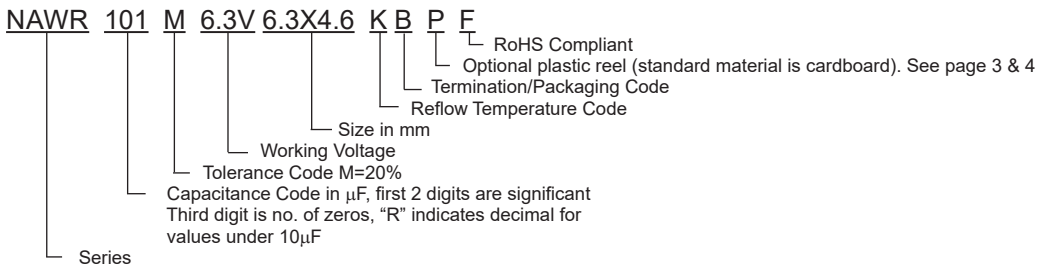
PEAK REFLOW TEMPERATURE CODES

Code	Peak Reflow Temperature
K	245°C

TERMINATION FINISH & PACKAGING OPTIONS CODES

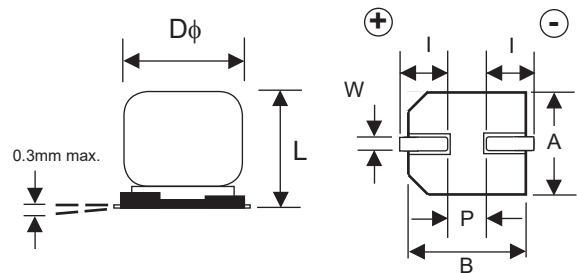
Code	Finish & Reel Size
B	Sn-Bi Finish & 13" Reel

PART NUMBER SYSTEM



DIMENSIONS (mm) AND REEL QUANTITIES

Case Size	φD±0.5	L max.	A±0.2	B±0.2	I±0.3	W	P±0.2	Qty/Reel
4X4.6	4.0	4.6	4.3	4.3	2.0	0.5 ~ 0.8	1.0	1,500
5X4.6	5.0	4.6	5.3	5.3	2.3	0.5 ~ 0.8	1.4	1,000
6.3X4.6	6.3	4.6	6.6	6.6	2.6	0.5 ~ 0.8	2.2	1,000



Surface Mount Aluminum Electrolytic Capacitors NAWR Series

STANDARD VALUES, CASE SIZES AND SPECIFICATIONS

NIC Part Number	Cap. (μF)	W.V. (Vdc)	Dissipation Factor (Tan δ)	Max. ESR (Ω) 120Hz, +20°C	Max. Ripple Current (mA) +105°C, 120Hz	Load Life Hours @ +105°C
NAWR220M6.3V4X4.6K_F	22	6.3	0.35	26.39	20	2000
NAWR330M6.3V5X4.6KBF	33		0.35	17.59	26	2000
NAWR470M6.3V5X4.6KBF	47		0.35	12.35	32	2000
NAWR101M6.3V6.3X4.6KBF	100		0.35	5.81	49	3000
NAWR220M10V5X4.6KBF	22	10	0.3	22.62	24	2000
NAWR330M10V5X4.6KBF	33		0.3	15.08	29	2000
NAWR470M10V6.3X4.6KBF	47		0.3	10.59	38	3000
NAWR101M10V6.3X4.6KBF	100		0.3	4.98	52	3000
NAWR100M16V4X4.6K_F	10	16	0.2	33.17	17	2000
NAWR220M16V5X4.6KBF	22		0.2	15.08	26	2000
NAWR330M16V6.3X4.6KBF	33		0.2	10.05	36	3000
NAWR470M16V6.3X4.6KBF	47		0.2	7.06	43	3000
NAWR4R7M25V4X4.6K_F	4.7	25	0.16	56.47	12	2000
NAWR100M25V5X4.6KBF	10		0.16	26.54	19	2000
NAWR220M25V6.3X4.6KBF	22		0.16	12.06	33	3000
NAWR330M25V6.3X4.6KBF	33		0.16	8.04	40	3000
NAWR470M25V6.3X4.6KBF	47	35	0.16	5.65	44	3000
NAWR4R7M35V4X4.6K_F	4.7		0.14	49.41	13	2000
NAWR100M35V5X4.6KBF	10		0.14	23.22	24	2000
NAWR220M35V6.3X4.6KBF	22		0.14	10.56	35	3000
NAWR47M50V4X4.6K_F	0.47	50	0.12	423.50	2.8	2000
NAWR1R0M50V4X4.6K_F	1		0.12	199.04	5.9	2000
NAWR2R2M50V4X4.6K_F	2.2		0.12	90.47	10	2000
NAWR3R3M50V4X4.6K_F	3.3		0.12	60.32	12	2000
NAWR4R7M50V5X4.6KBF	4.7		0.12	42.35	15	2000
NAWR100M50V6.3X4.6KBF	10		0.12	19.90	24	3000

Part Number Suffix Where __: Preferred (15" reel) = 15, Legacy (13" reel) = 13 (check with NIC for availability)

RIPPLE CURRENT FREQUENCY CORRECTION FACTOR

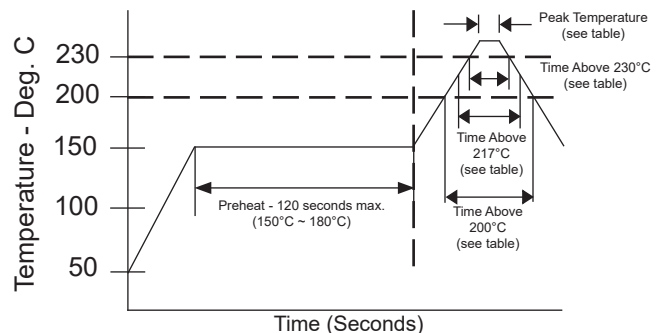
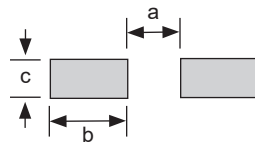
Frequency	120Hz	1KHz	10KHz	100KHz ~
1.0 ~ 3.3μF	1.0	1.30	1.50	1.80
>4.7 ~ 33μF	1.0	1.20	1.30	1.45
>33μF	1.0	1.10	1.20	1.30

PEAK REFLOW TEMPERATURE, DURATION AND NUMBER OF REFLOW PASSES ALLOWED

Diameter	Peak Temperature	Duration	Time above 200°C	Time above 217°C	Time above 230°C	Number of Reflow Passes
4 ~ 6.3mm φ	+245°C	Time ≥ 240°C 5 sec.	60 sec.	50 sec.	30 sec.	2

RECOMMENDED LAND PATTERN DIMENSIONS (mm)

Case Size	a	b	c
4X4.6	1.0	2.6	1.8
5X4.6	1.4	3.0	1.8
6.3x4.6	1.8	3.6	1.8



PRECAUTIONS

Please review the notes on correct use, safety and precautions found at <https://www.niccomp.com/resource/files/aluminum/AlumApplInfoCautions.pdf>
If in doubt or uncertainty, please review your specific application - process details with NIC's technical support personnel: tpmg@niccomp.com



Surface Mount Aluminum Electrolytic Capacitors NAWR Series

CARRIER TAPE

Case Size	A ±0.2	B ±0.2	C ±0.3	D ±0.1	P ±0.1	T ±0.2
4X4.6	4.7	4.7	12.0	5.5	8.0	5.0
5X4.6	5.7	5.7	12.0	5.5	12.0	5.0
6.3X4.6	7.0	7.0	16.0	7.5	12.0	5.1

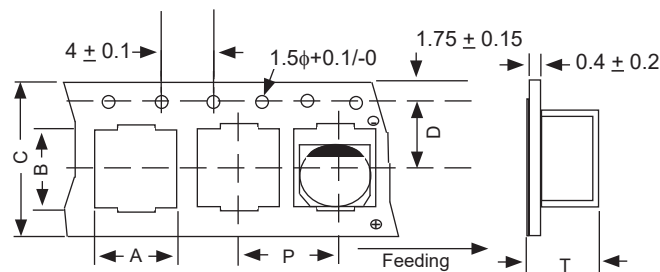
B suffix 330mm (13") REEL

Case Size	W ±1.0	Quantity Per Reel
		13" Reel
4X4.6	14.0	1,500 pcs
5X4.6	14.0	1,000 pcs
6.3X4.6	18.0	1,000 pcs

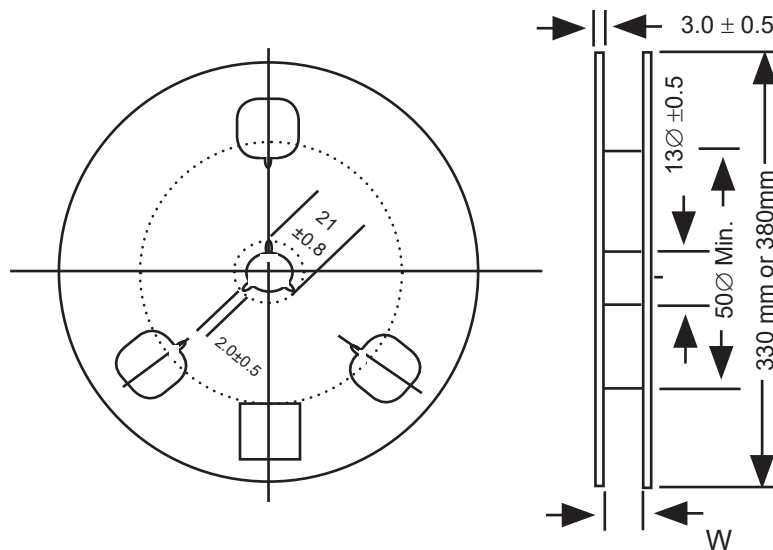
TAPING SPECIFICATIONS (mm)

- Both Leader and Trailer tape: Minimum 10 empty pockets and 20cm of cover tape.
- Connection: Maximum 3 connections (slices) per reel.

CARRIER



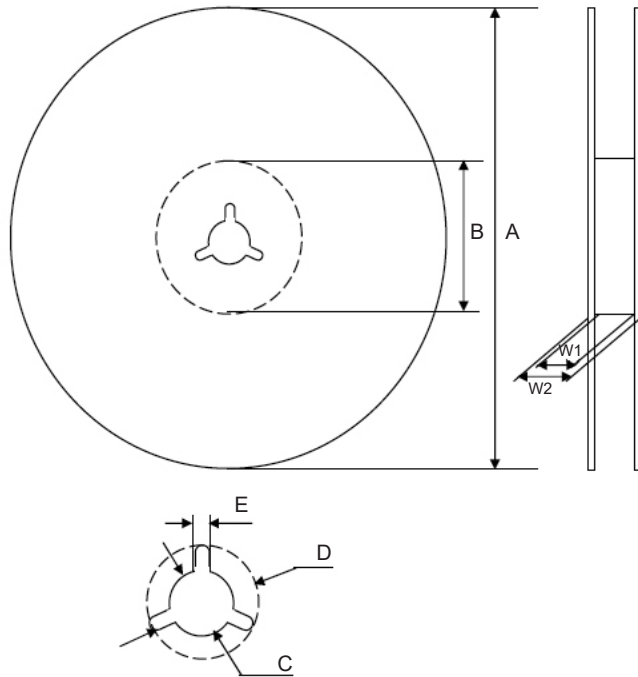
REEL



Review & Compare Reflow Soldering Heat Limits
V-chip SMT Aluminum Electrolytic Capacitors
www.niccomp.com/RSL

Surface Mount Aluminum Electrolytic Capacitors NAWR Series

V-Chip 13" (330mm) Reels (B suffix)



Dimensions (mm)

Case Size	Tape Width	W1	W2
4x4.6, 5x4.6	12.0	12.4 ~ 14.4	15.5 ~ 20.0
6.3x4.6	16.0	16.4 ~ 18.4	19.5 ~ 24.0

Case Size	Tape Width	A	B	C	D	E
4x4.6, 5x4.6	12.0	$\phi 330$	$\phi 50 \sim 105$	$\phi 13$	$\phi 21$	2.0
6.3x4.6	16.0	± 2.0		± 0.5	± 1.0	± 0.5

Color
Black or Blue

Case Size	W ± 1.0	Quantity Per Reel
		13" Reel
4X4.6	14.0	1,500 pcs
5X4.6	14.0	1,000 pcs
6.3X4.6	18.0	1,000 pcs